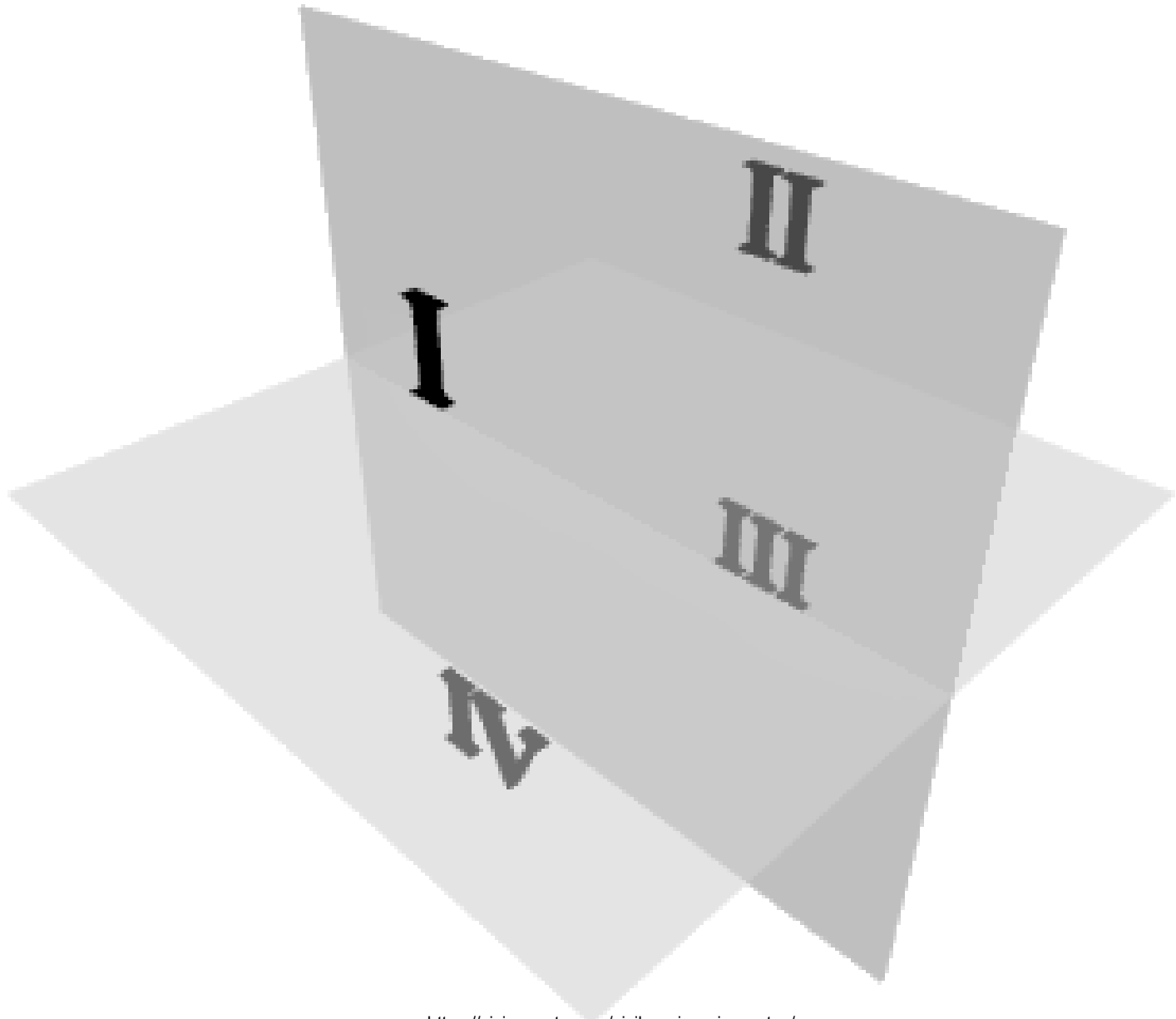
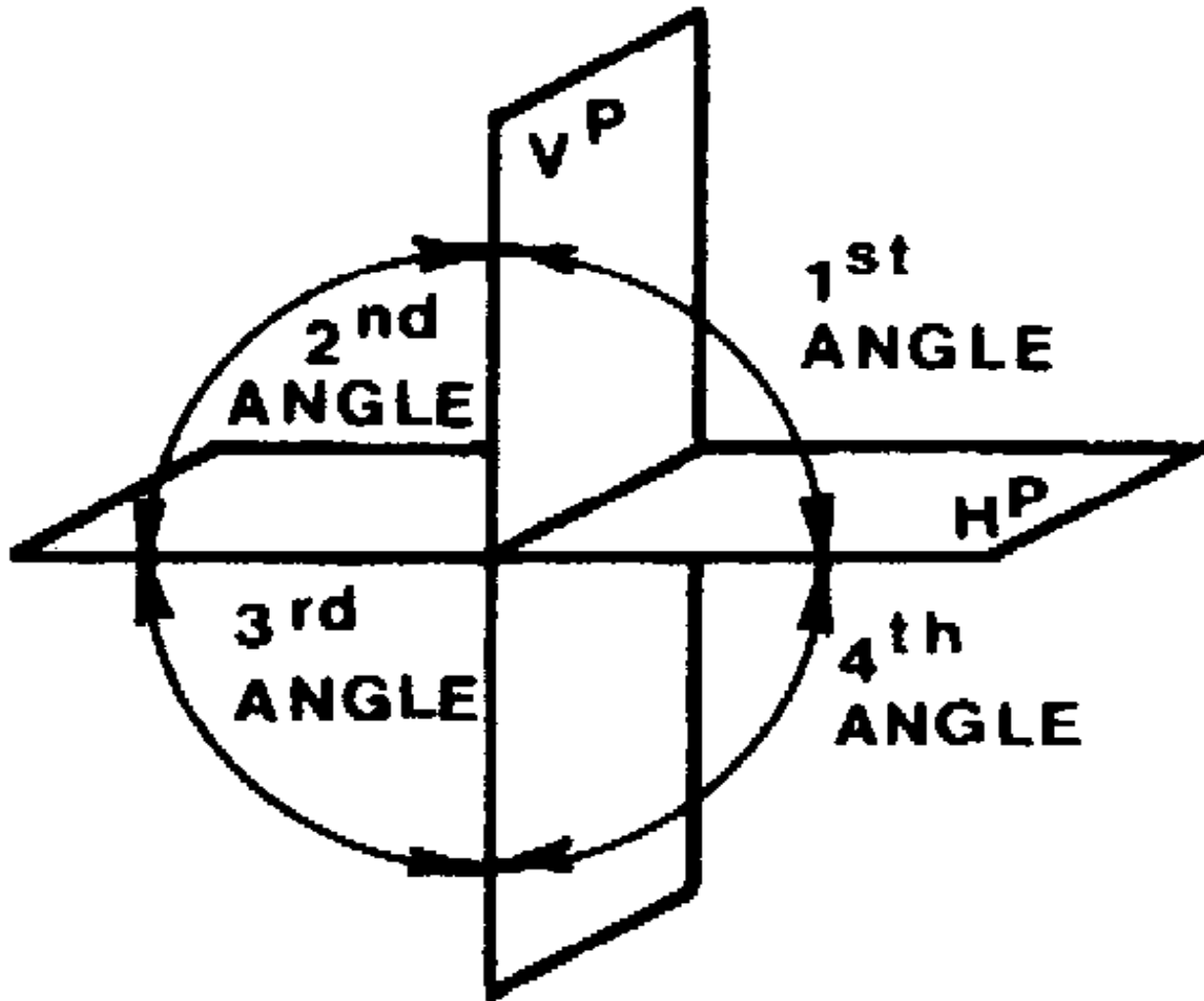
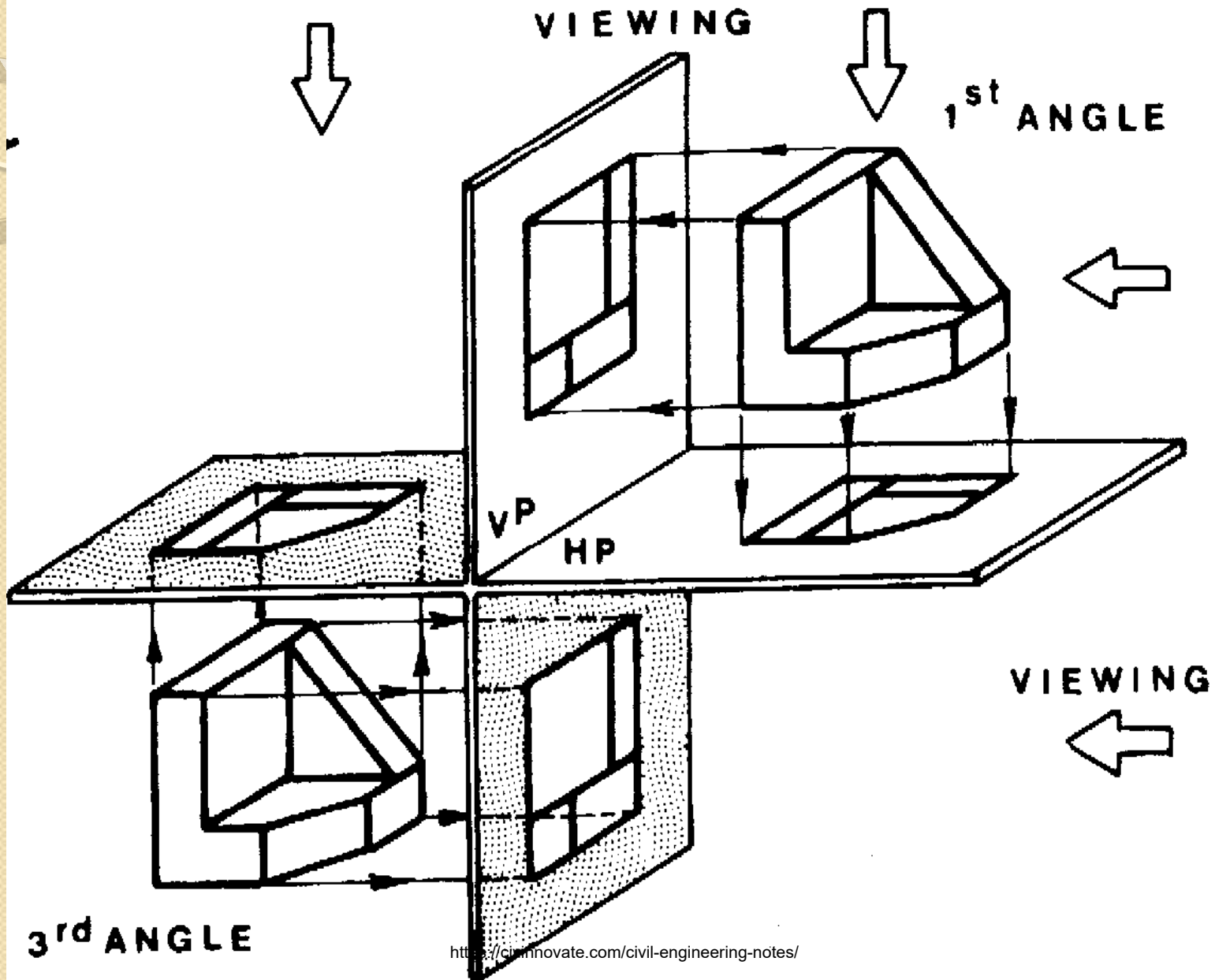




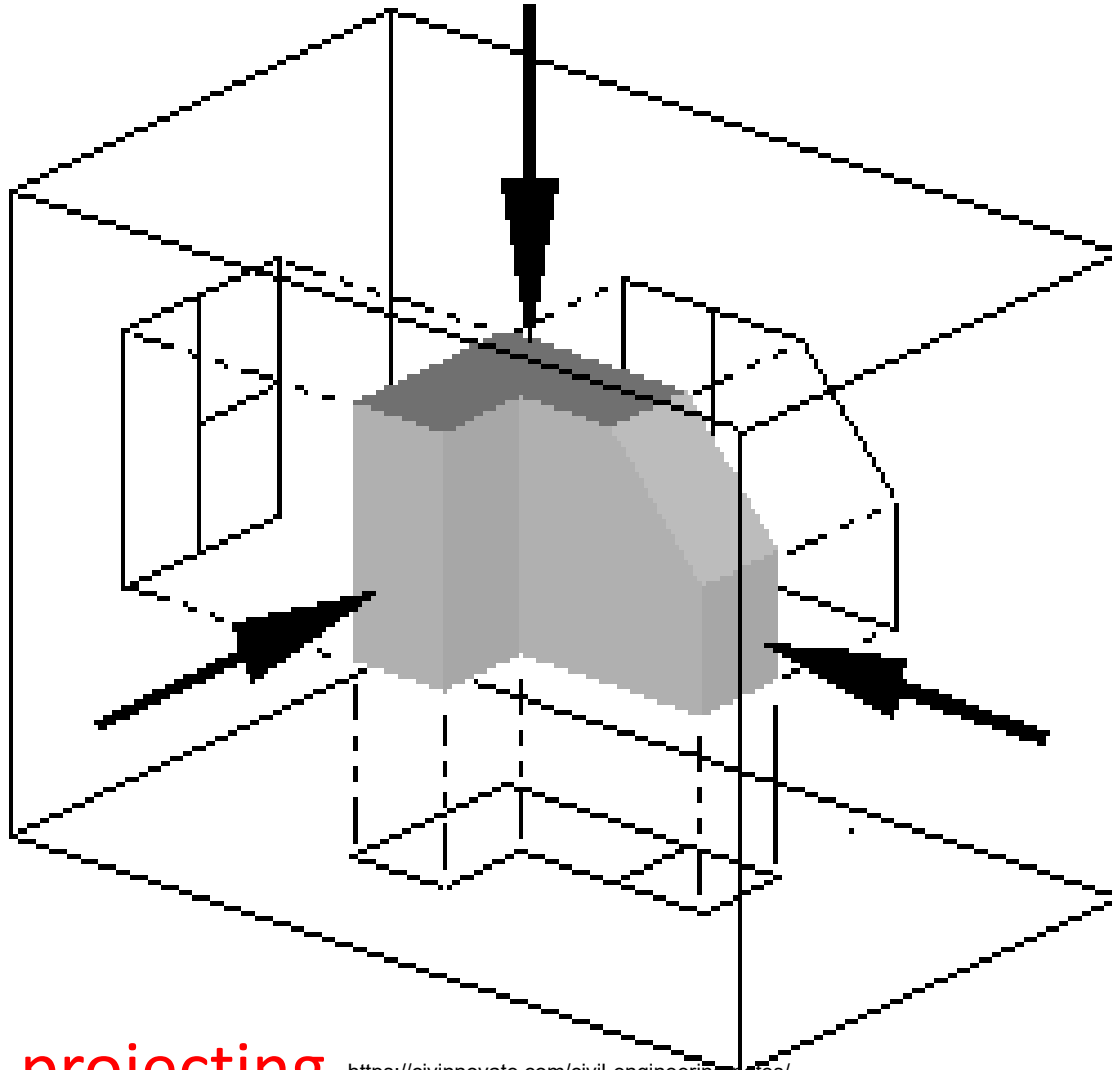
- Orthographic Projection is a way of drawing an 3D object from different directions
- Usually a front, side and plan view are drawn





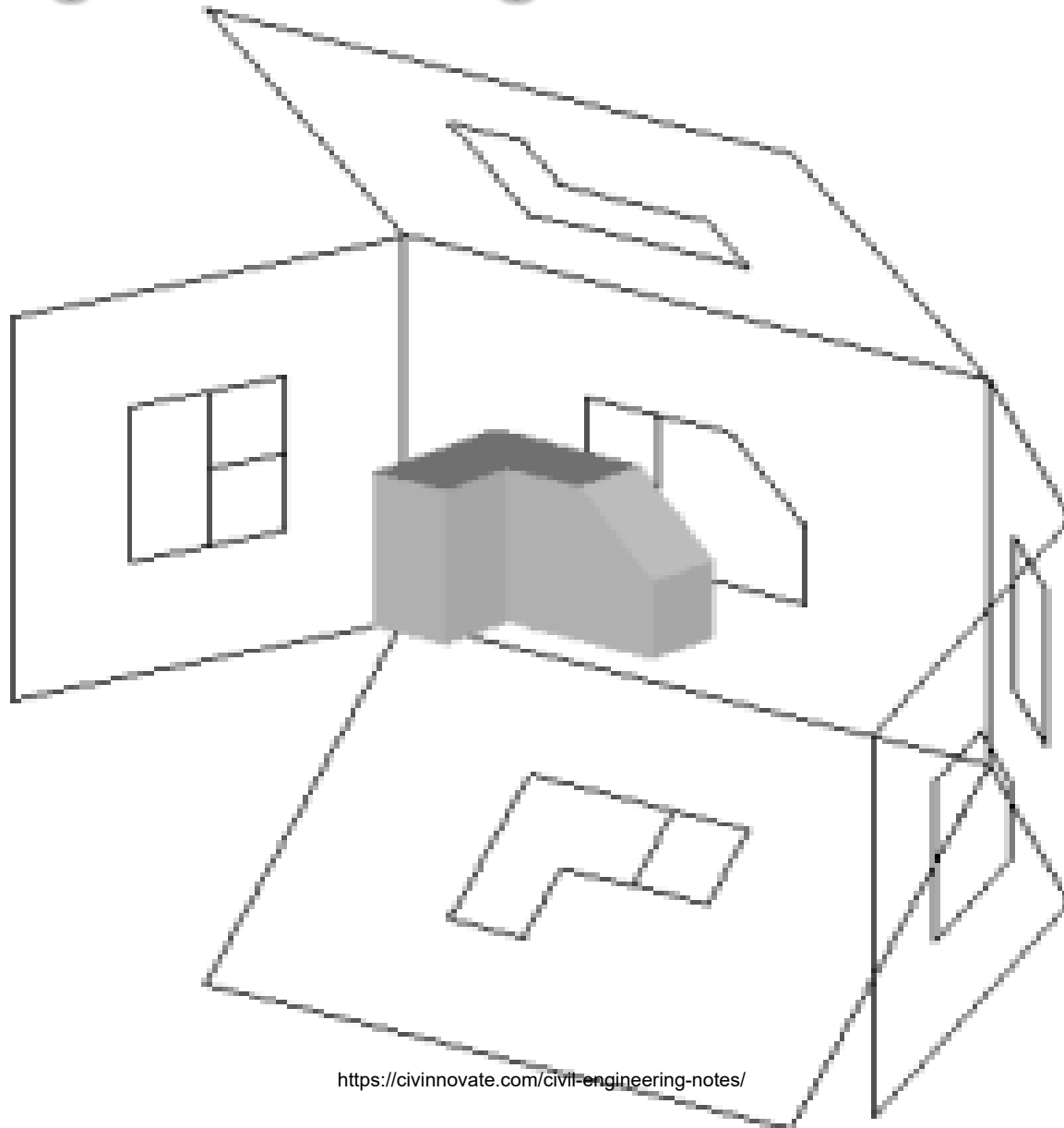


First angle projection

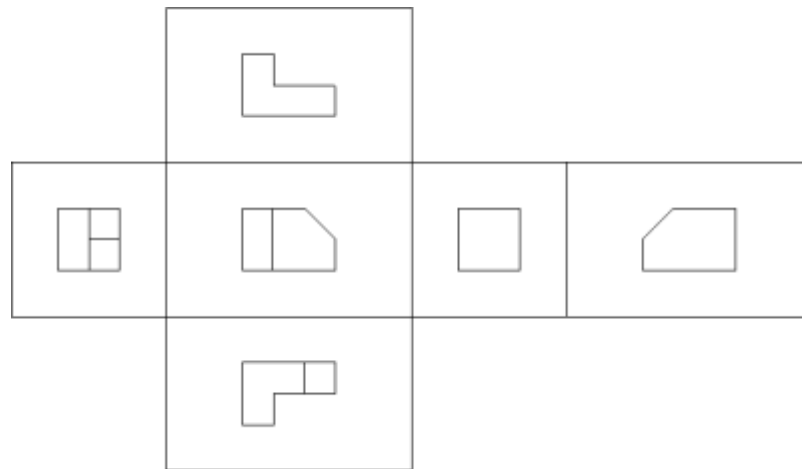


First angle projecting <https://civinnovate.com/civil-engineering-notes/>

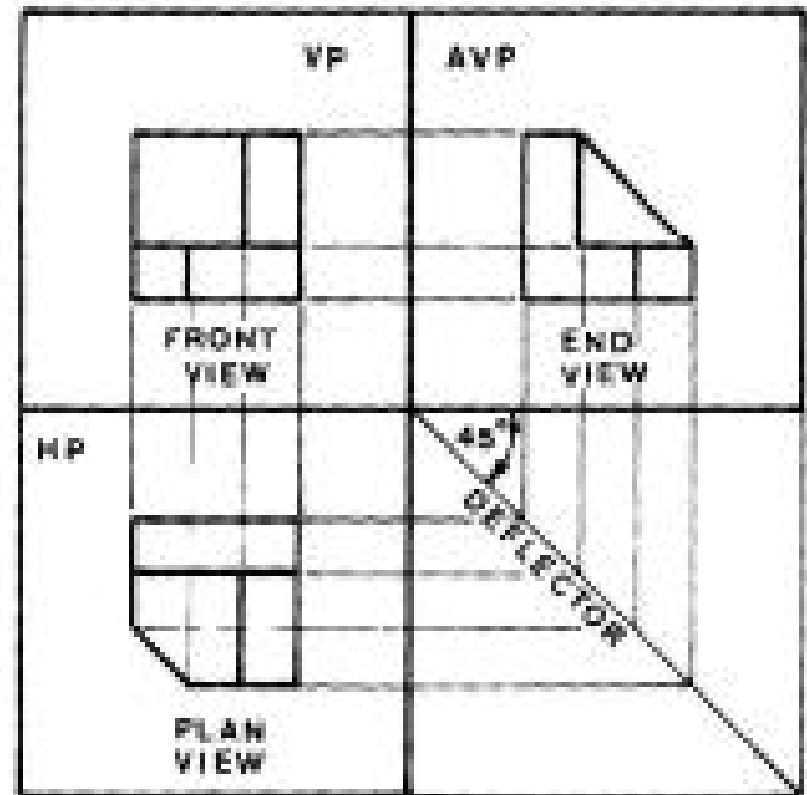
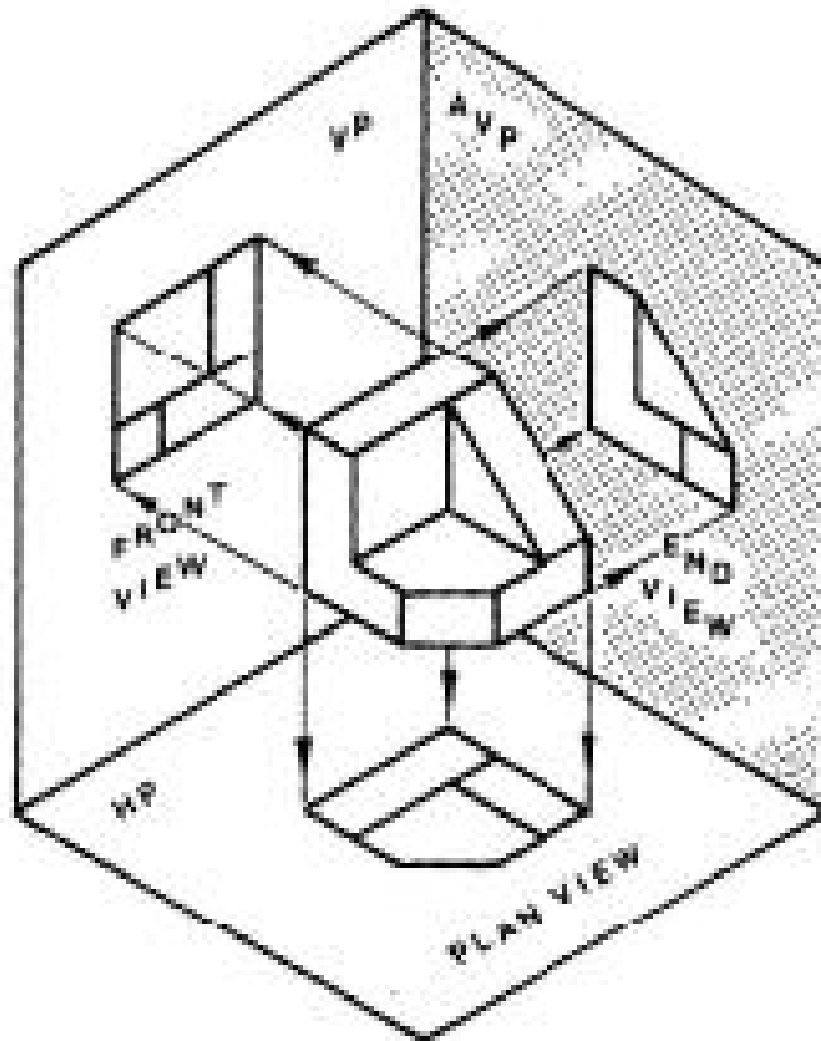
First angle unfolding

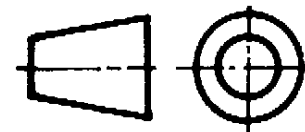
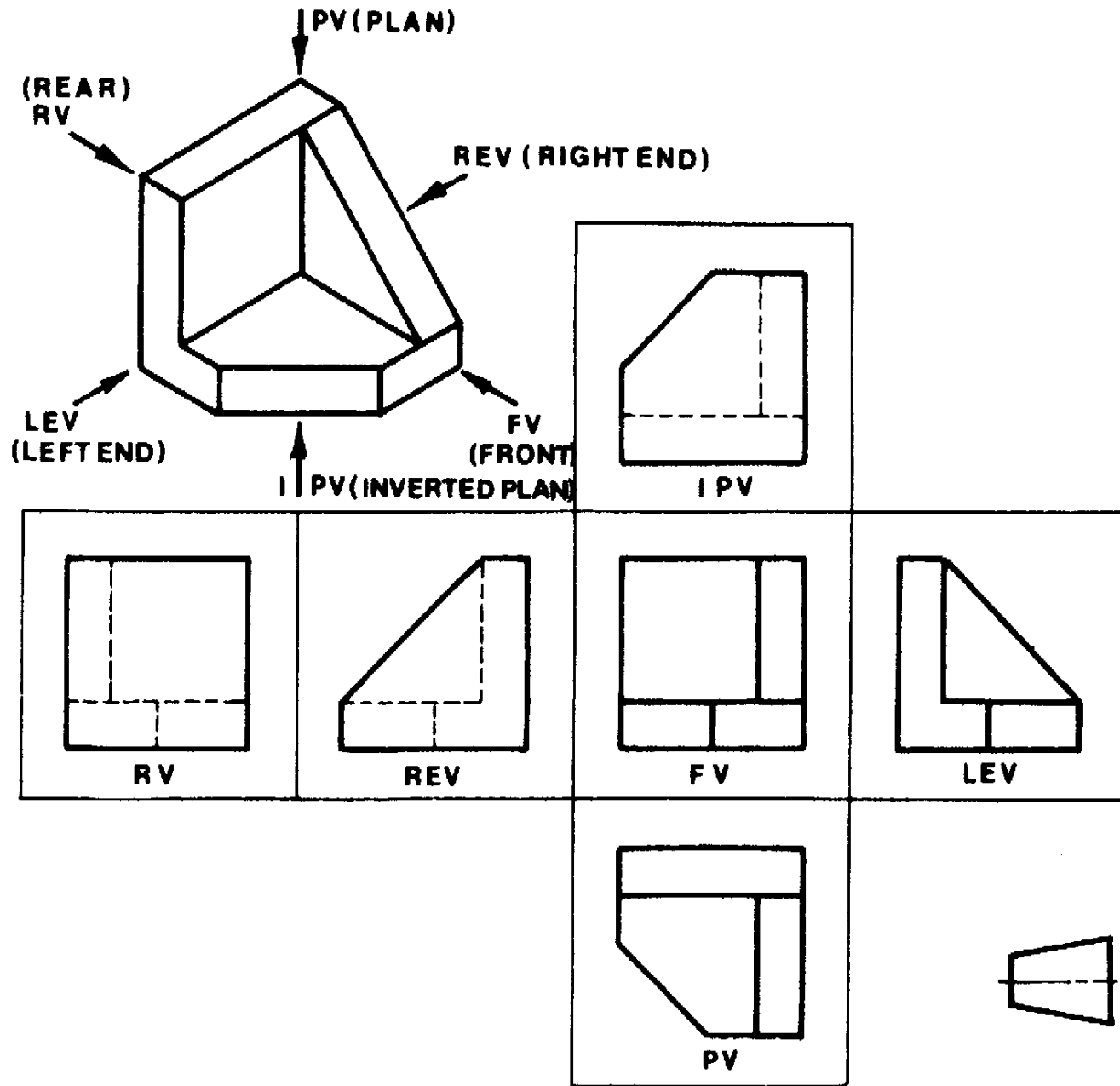


First angle unfolded

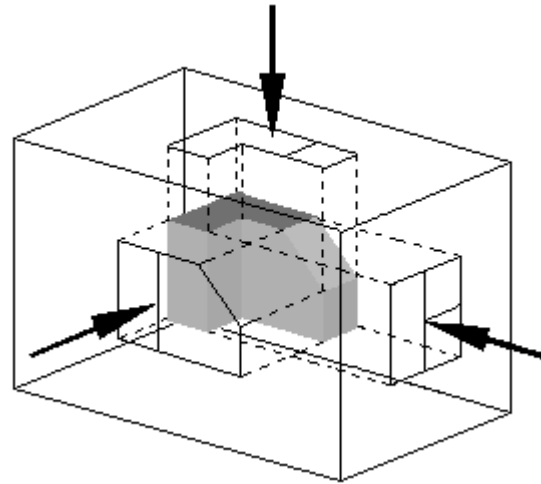


First angle projection





Third angle projection



Third angle projecting

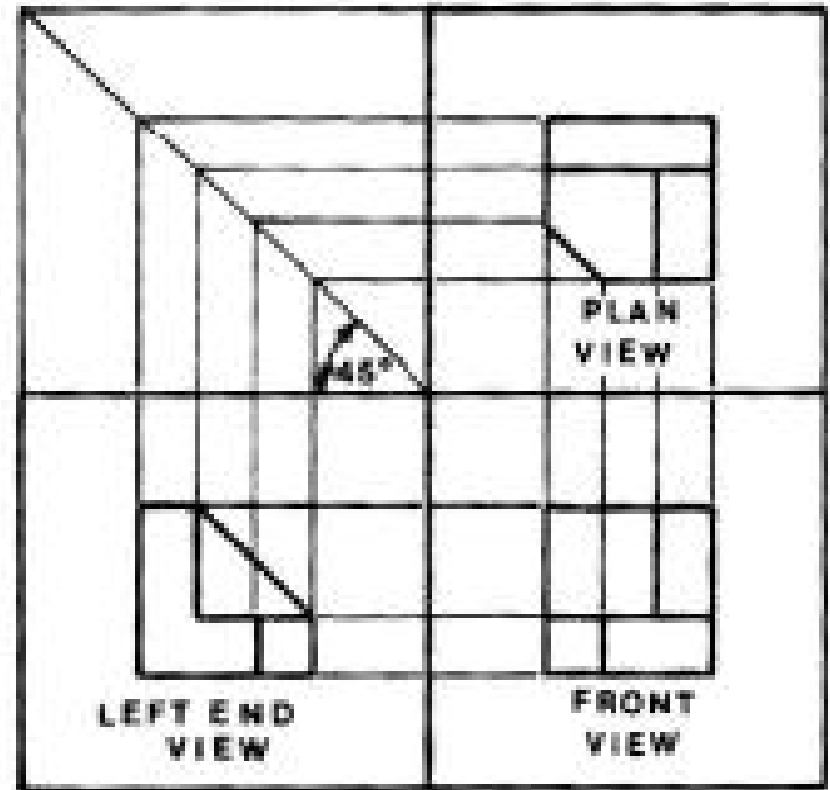
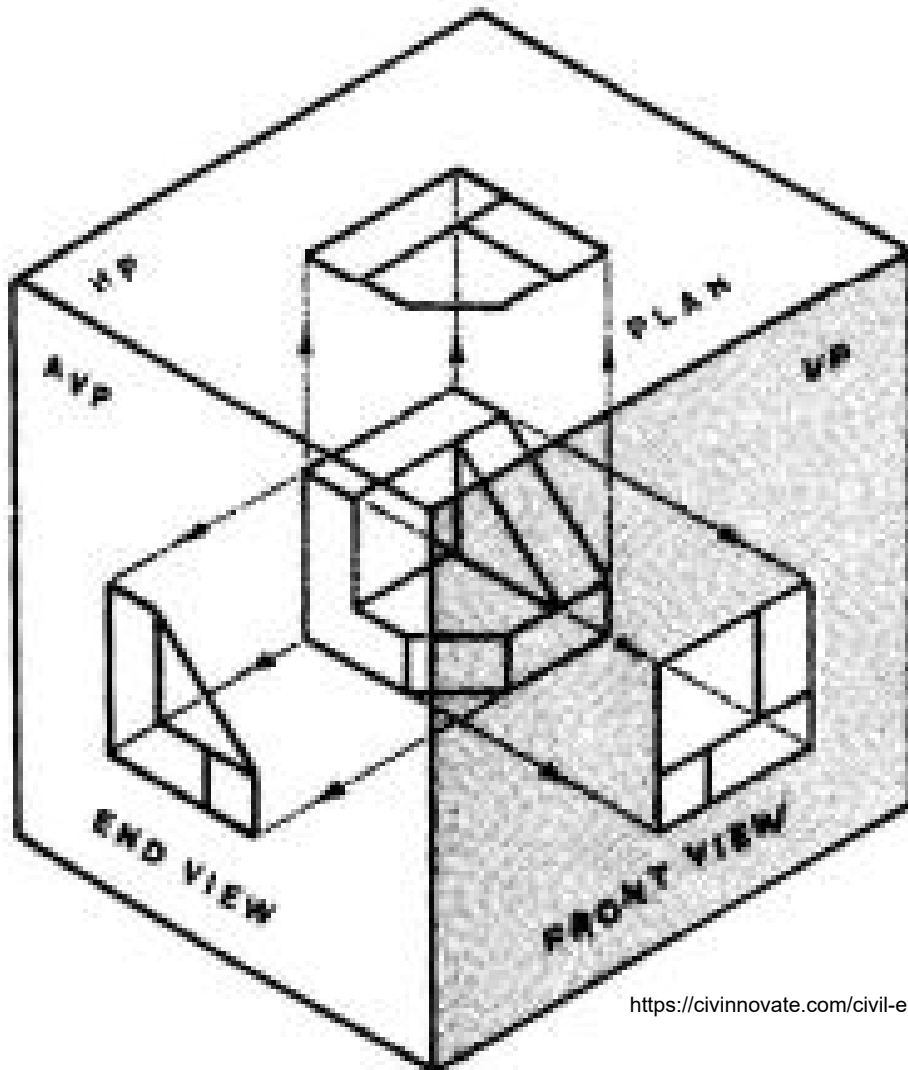
Third angle unfolding

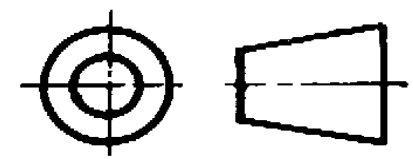
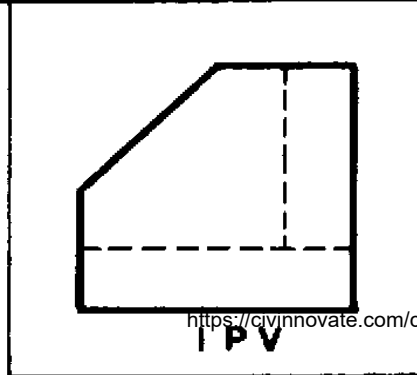
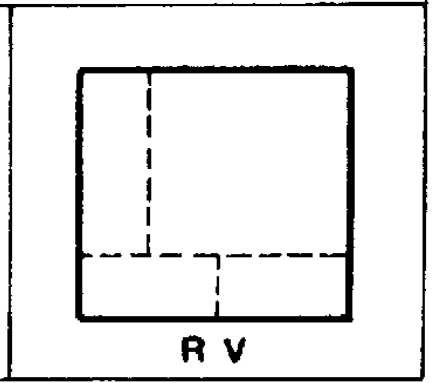
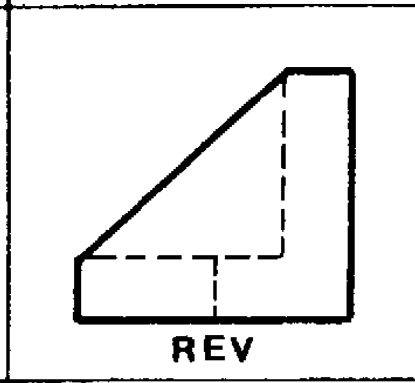
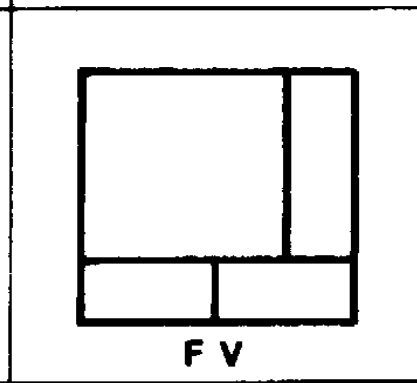
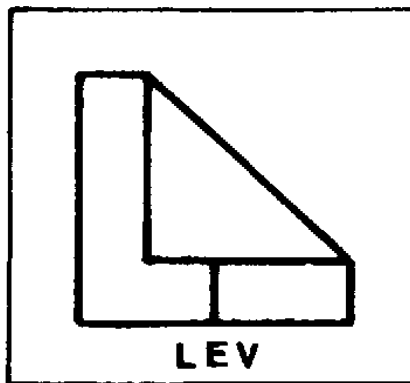
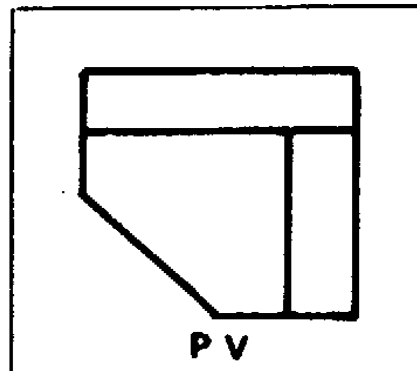
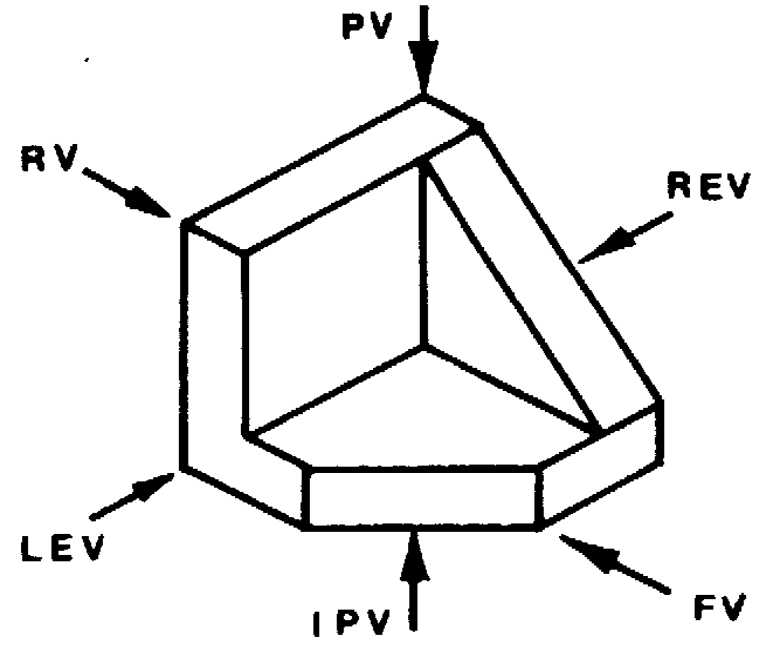


Third angle unfolded



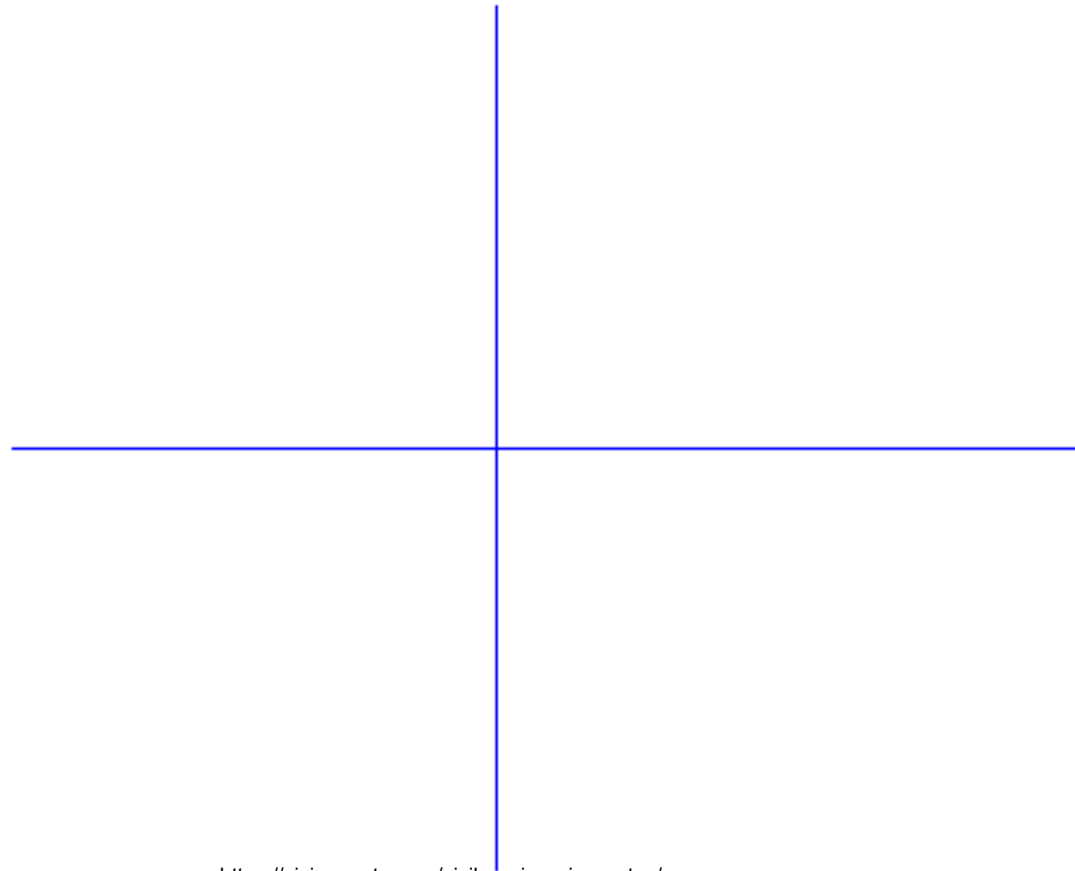
Third angle projection





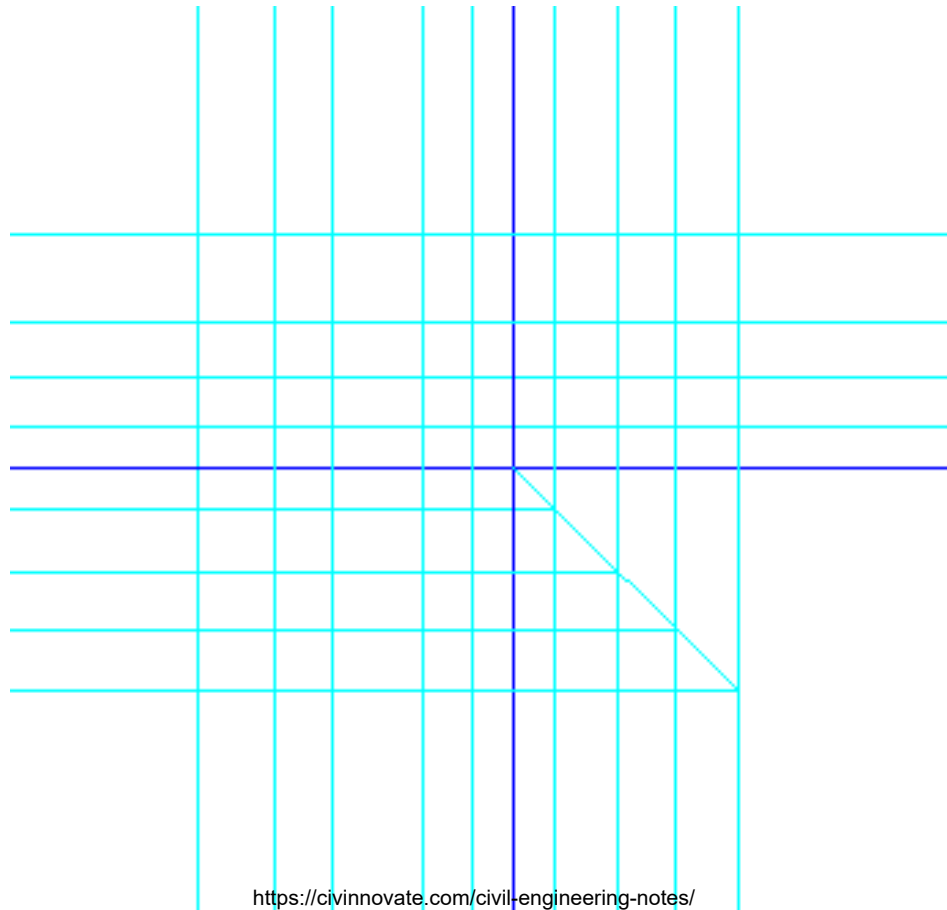
Steps

- Draw line perpendicular to each other.



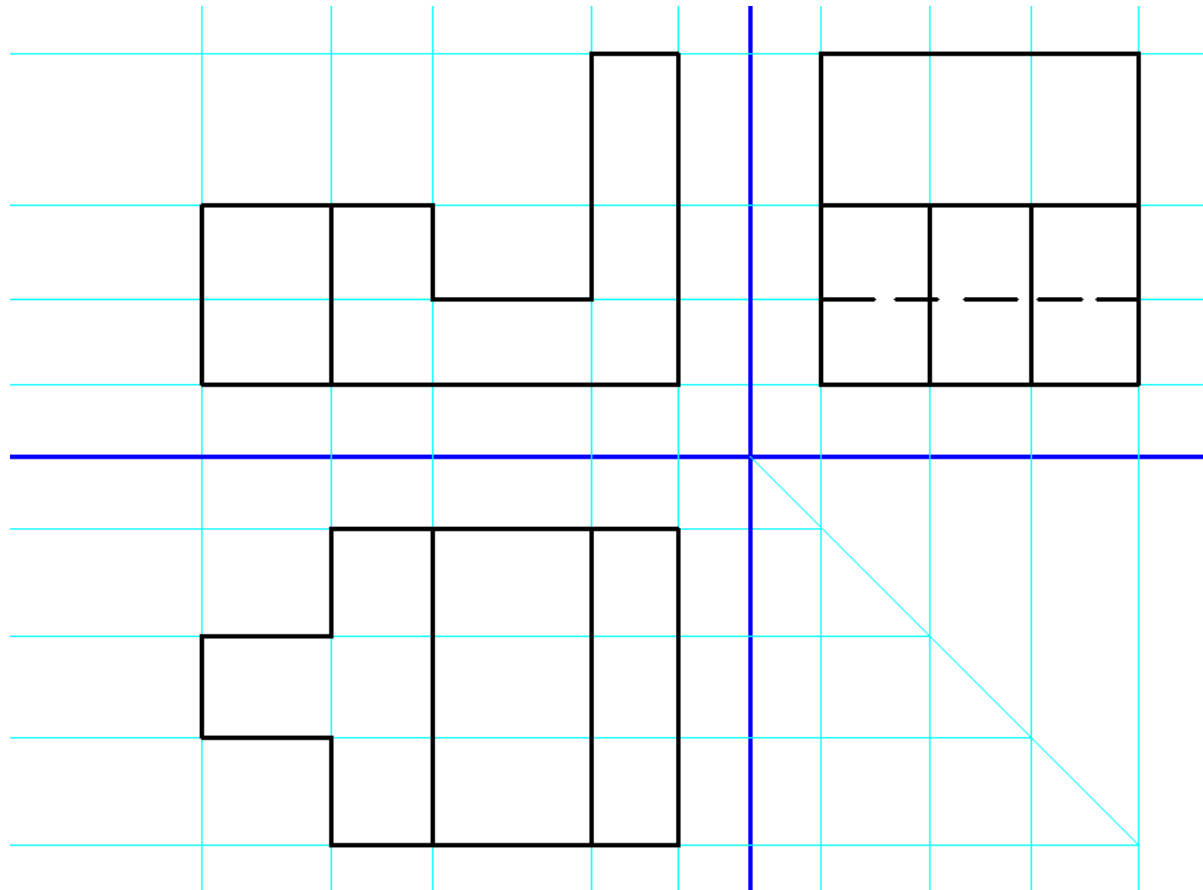
Contd...

- Draw projection lines of the edges.



Contd....

- Draw front, top and side views.



Contd...

- Dimension

