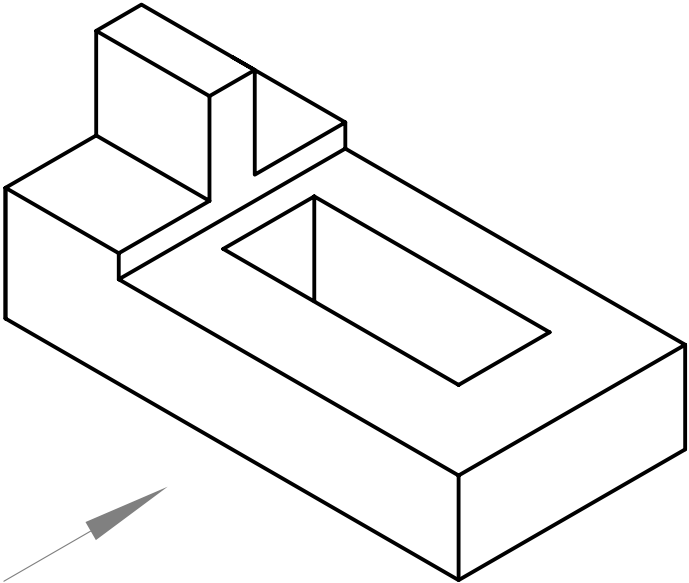


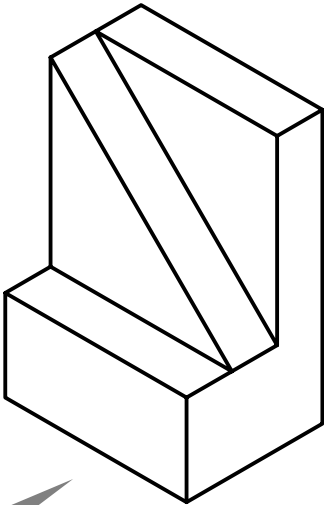


Civinnovate

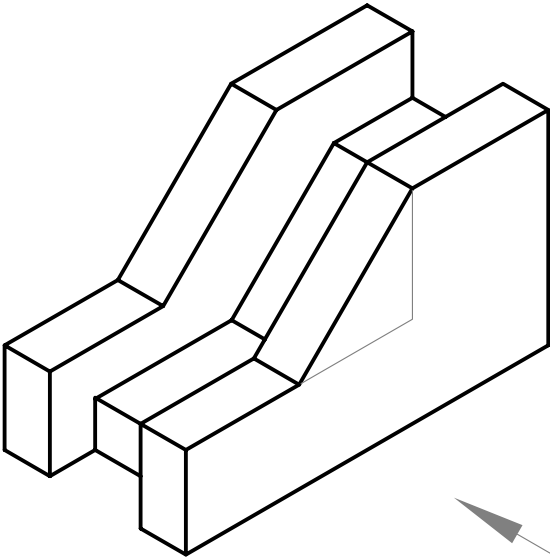
Discover, Learn, and Innovate in Civil Engineering



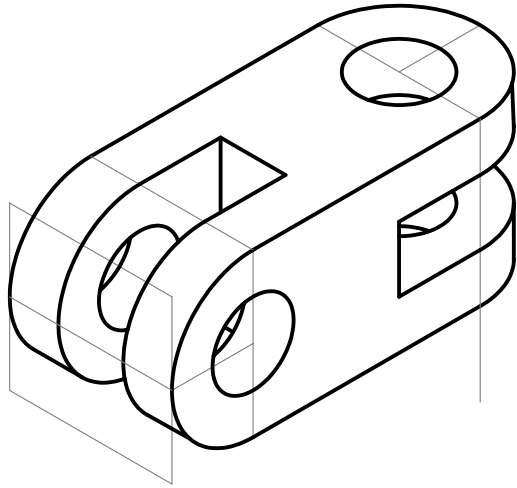
T1.1 (a)



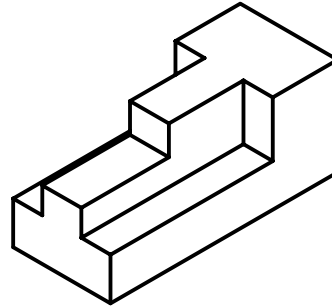
T1.1 (b)



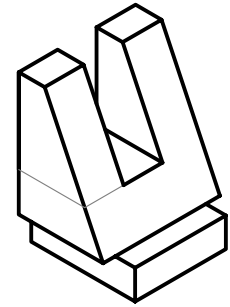
T1.1 (c)



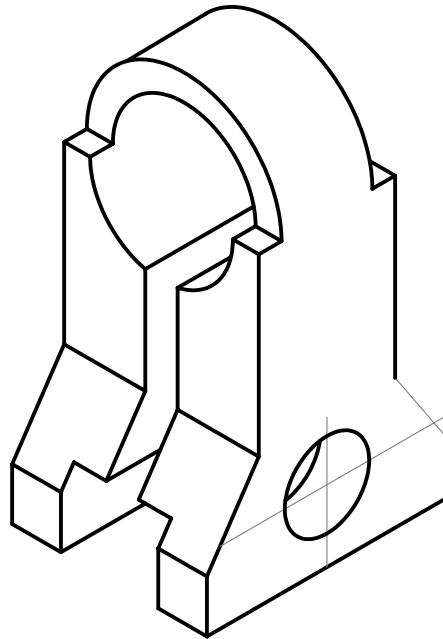
T1.1 (d)



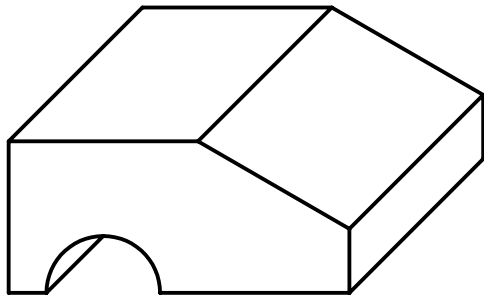
T1.1 (e)



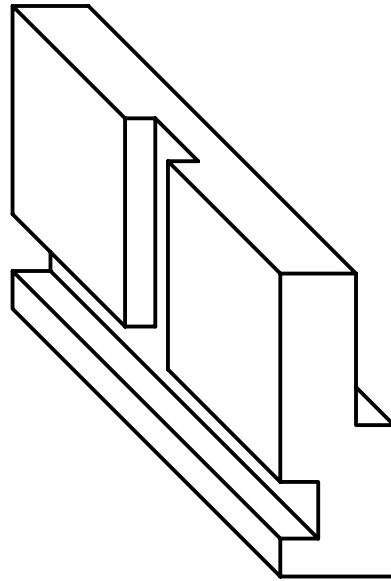
T1.1 (f)



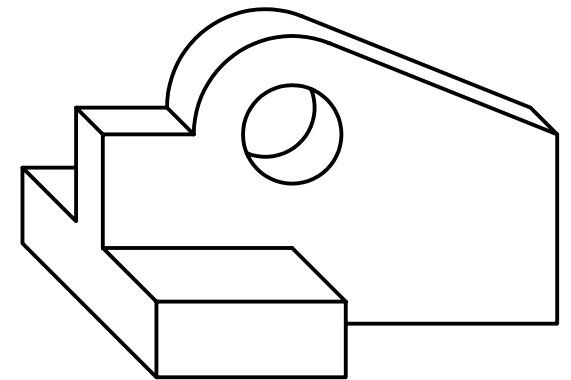
T1.2



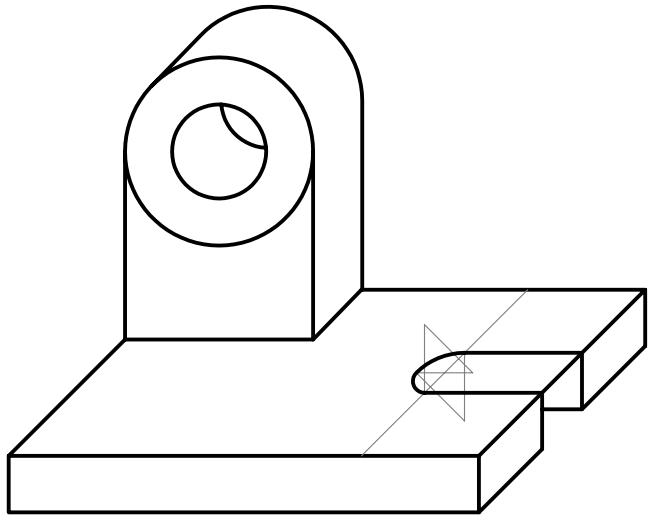
T2.1 (a)



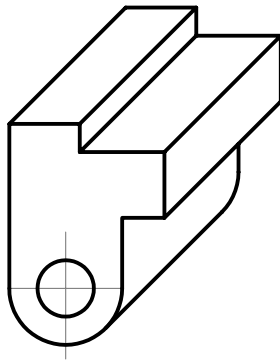
T2.1 (b)



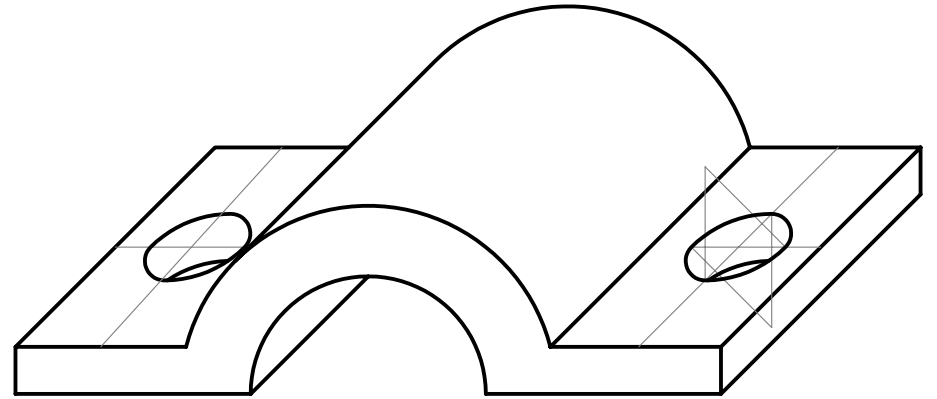
T2.1 (c)



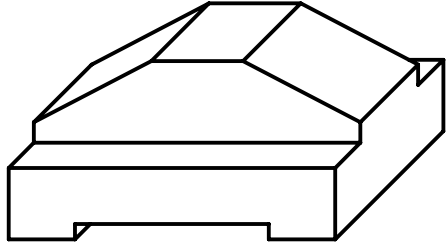
T2.1 (d)



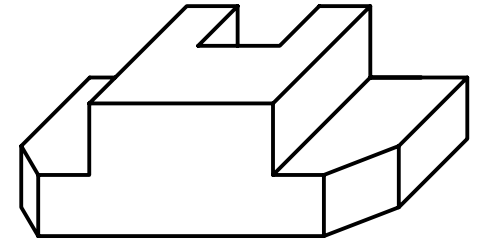
T2.1 (f)



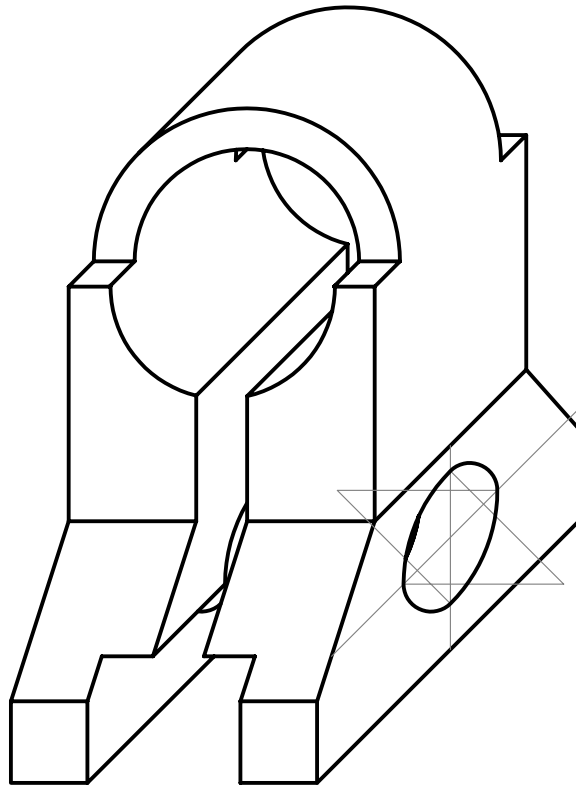
T2.1 (e)



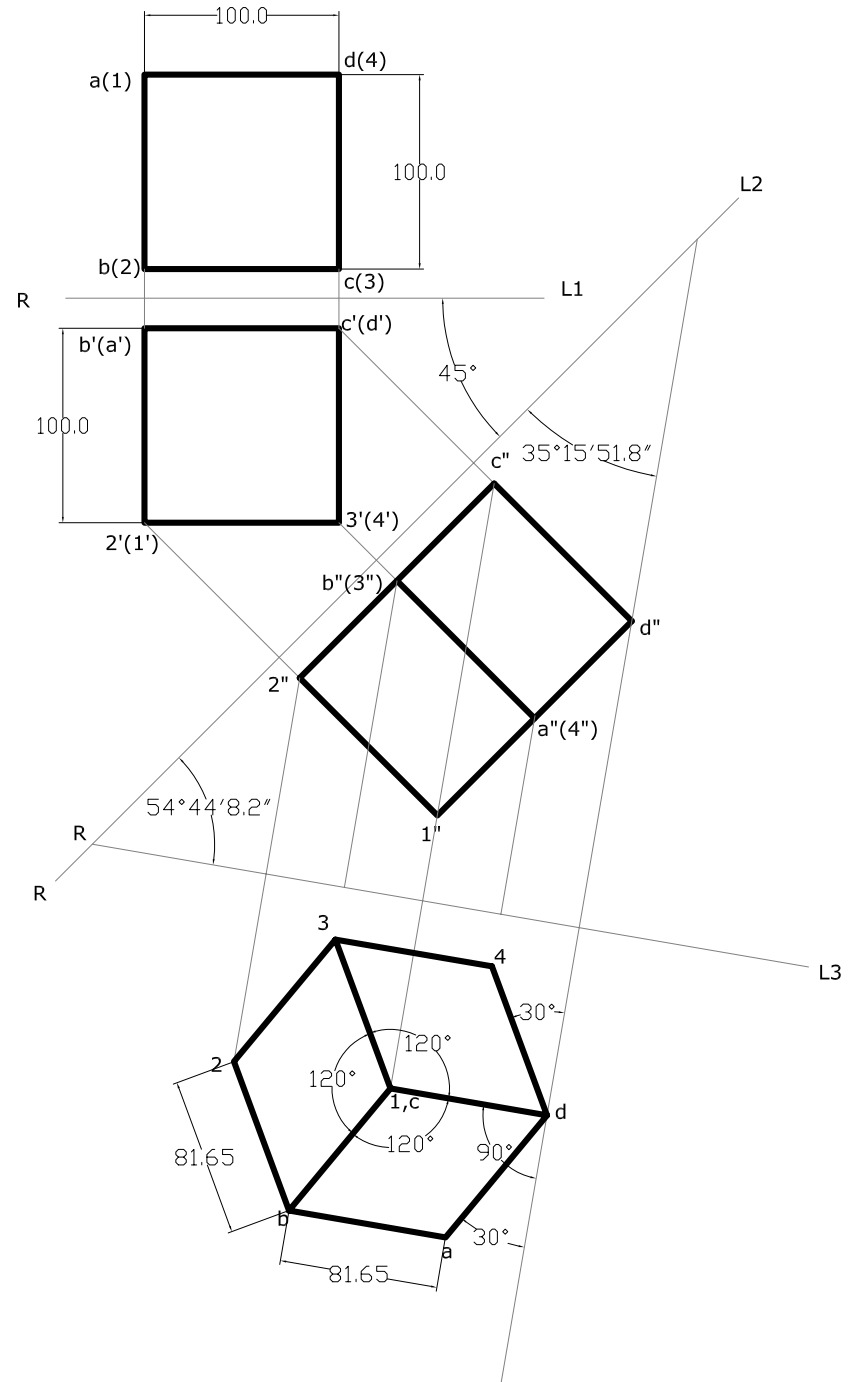
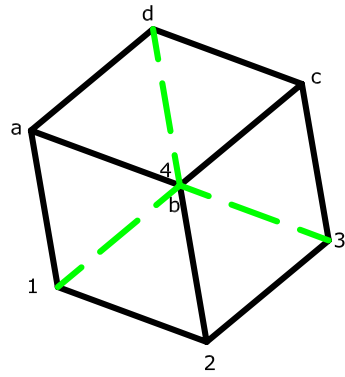
T2.1 (g)

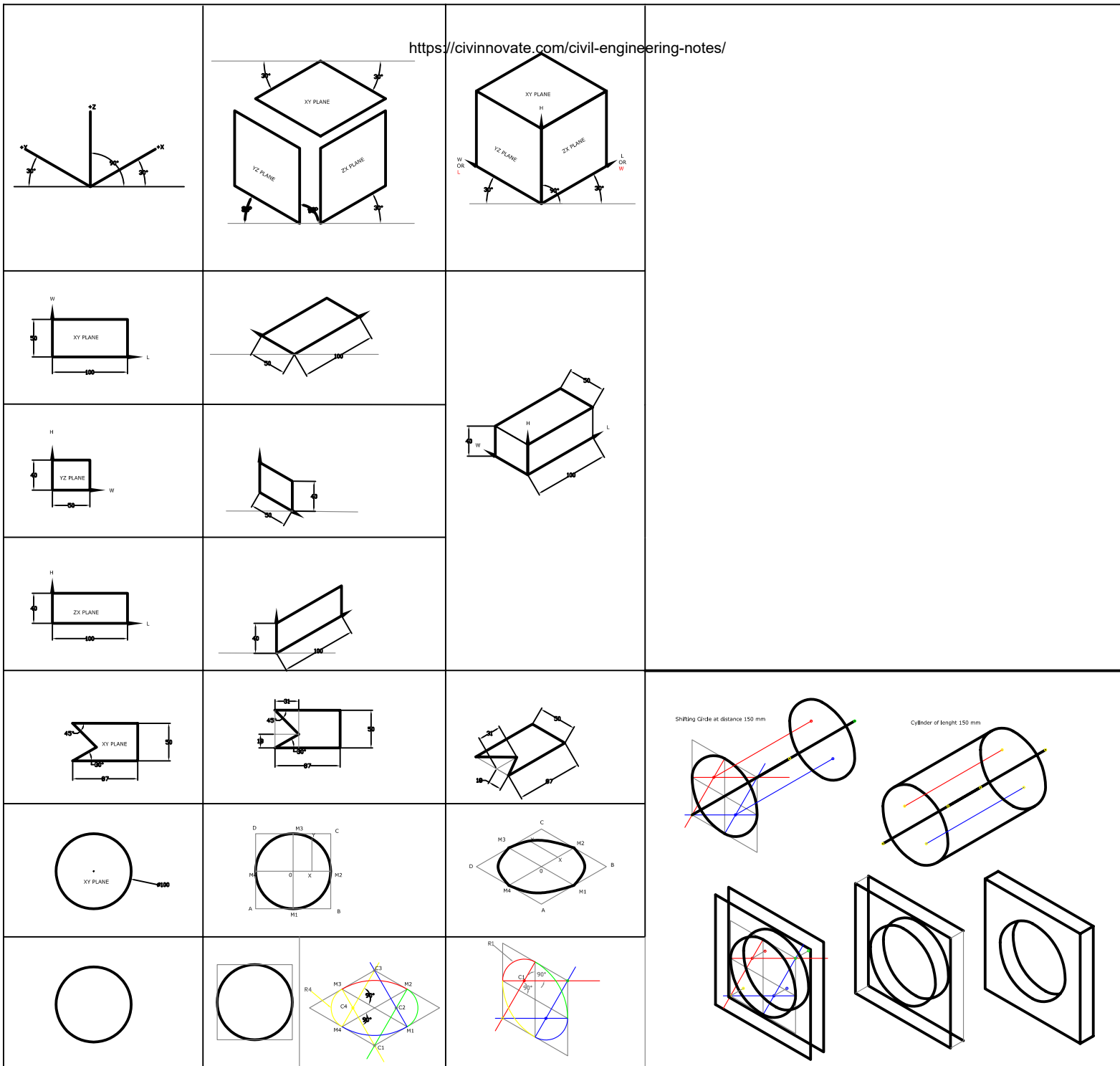


T2.1 (h)



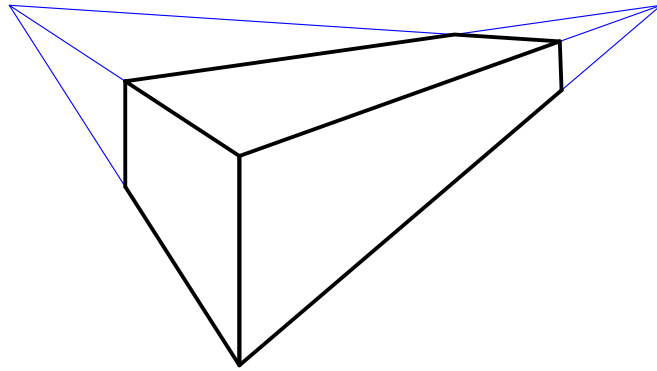
T2.2



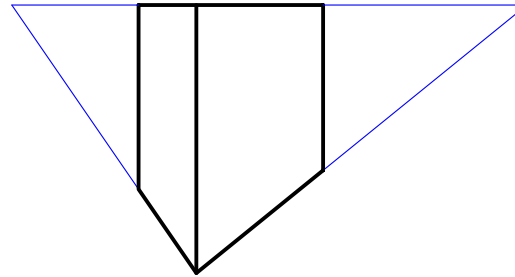


ORTHOGRAPHIC

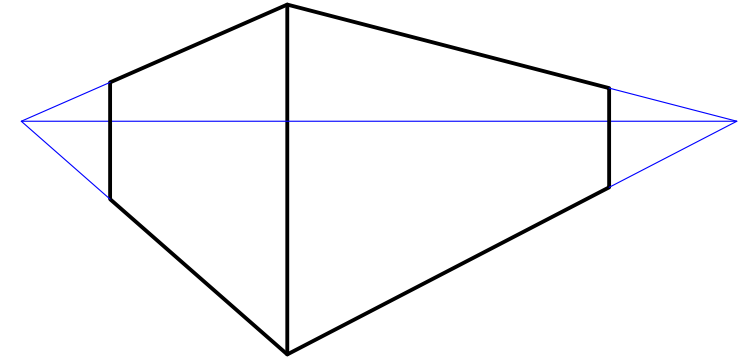
ISOMETRIC



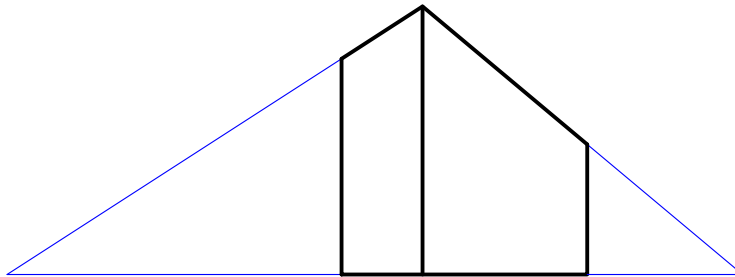
BIRD EYE VIEW



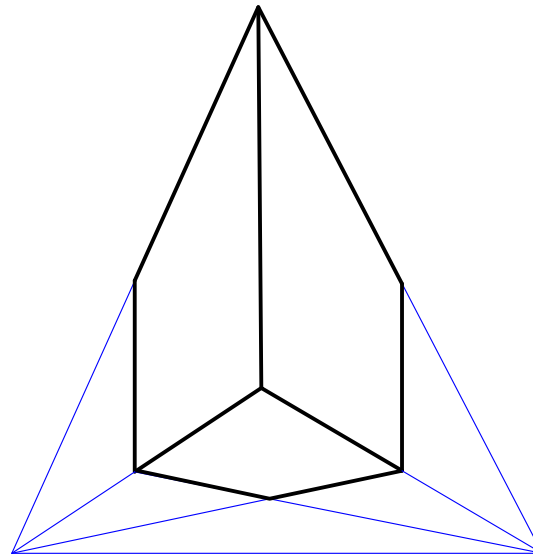
VIEW AT EYE LEVEL
(SAME TOP LEVEL
AND EYE LEVEL)



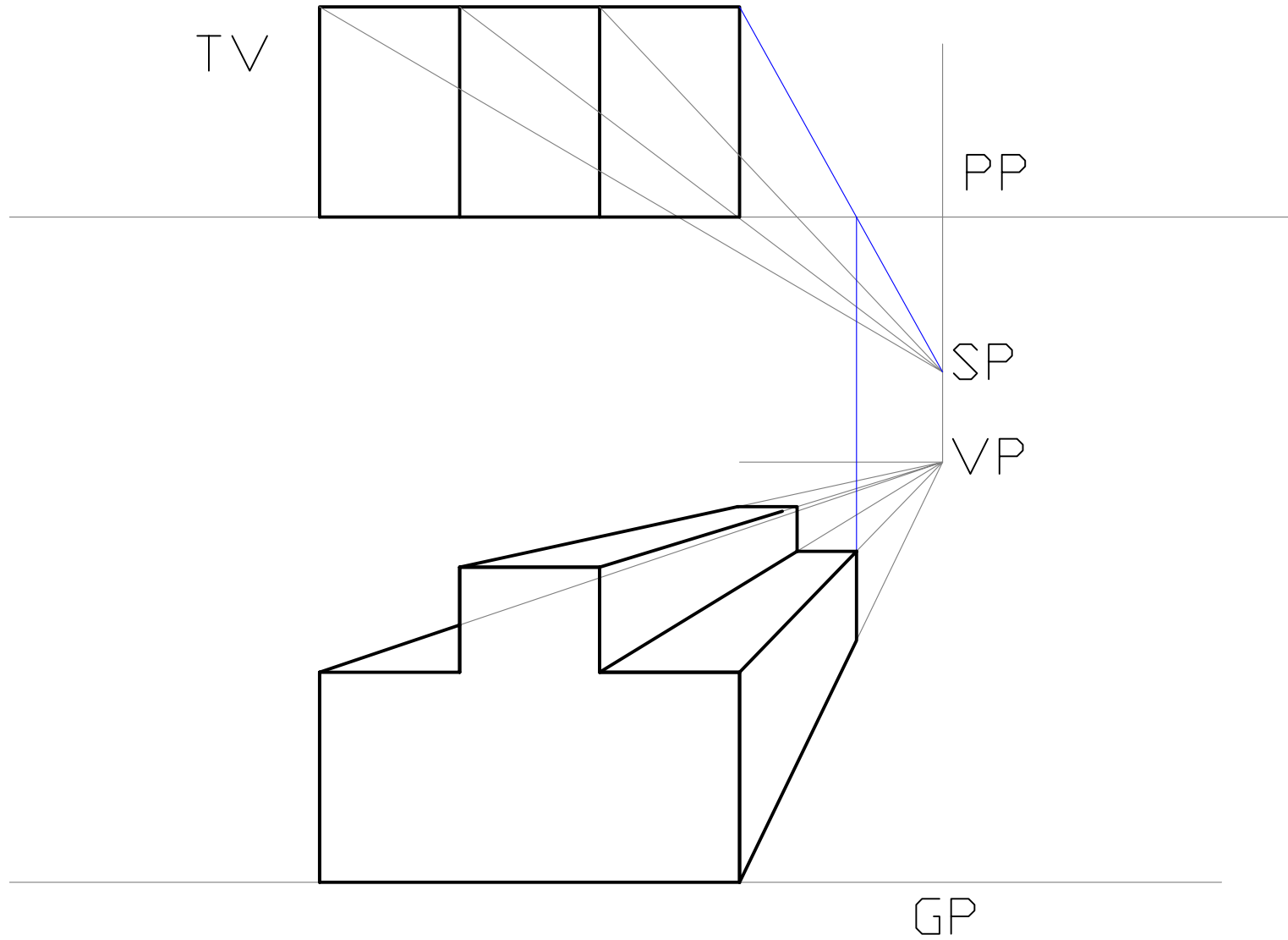
ANT EYE VIEW
(FROM MIDDLE
OF OBJECT)



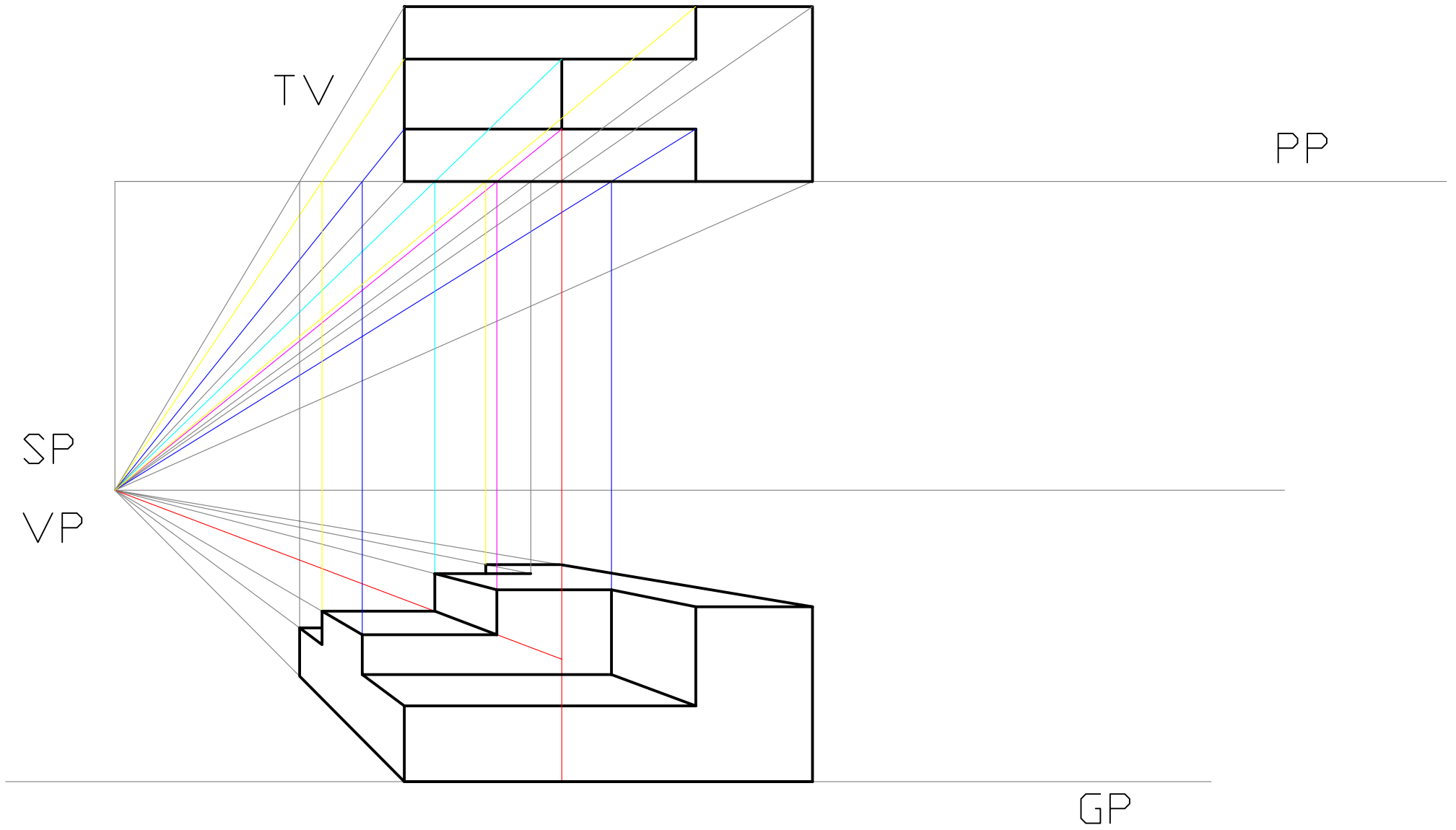
WORM EYE VIEW
(FROM GROUND
LEVEL)



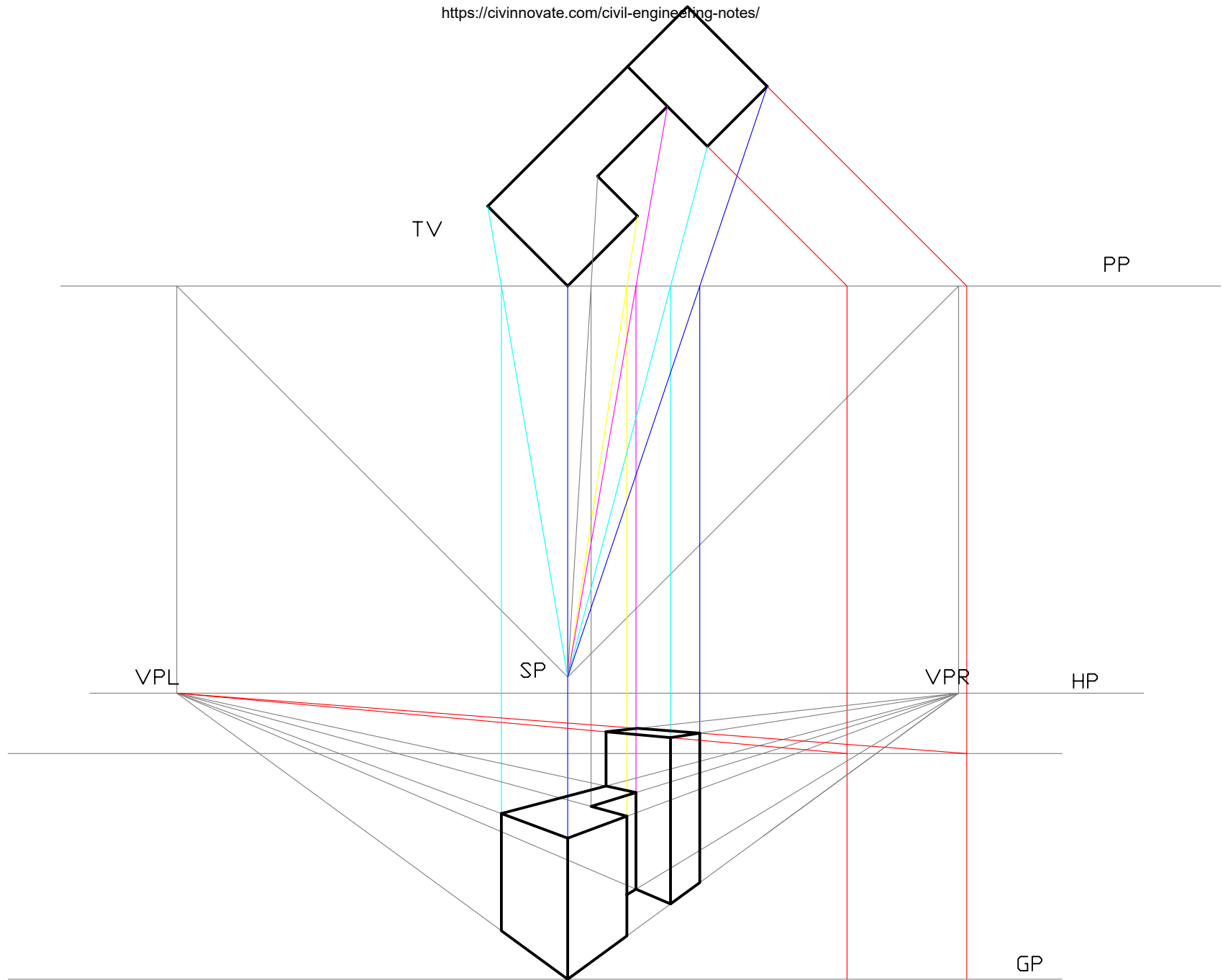
VIEW FROM GROUND TO SKY
(SOMEONE SEE AIROPLANE
FROM GROUND)



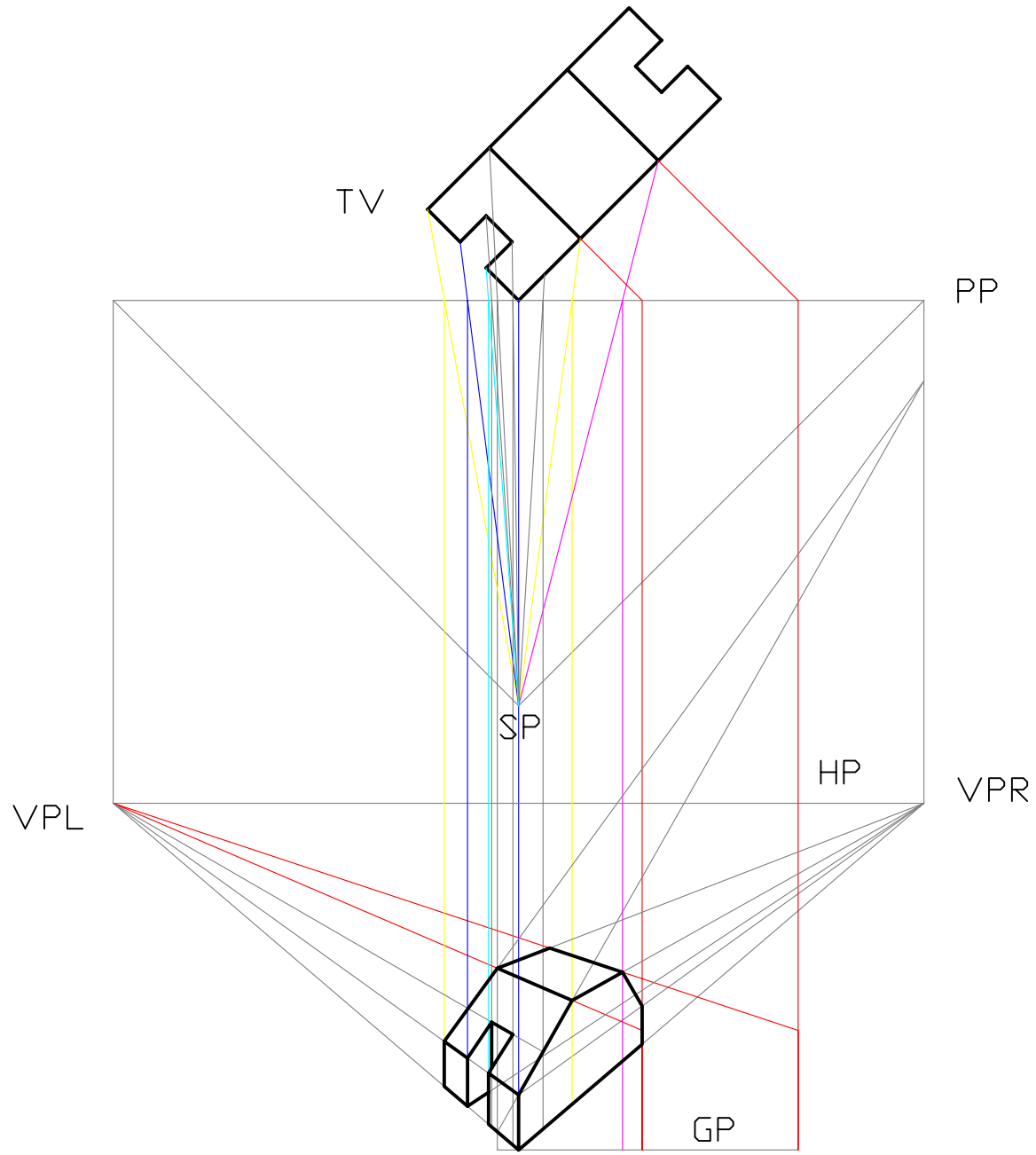
T3.1 (a)



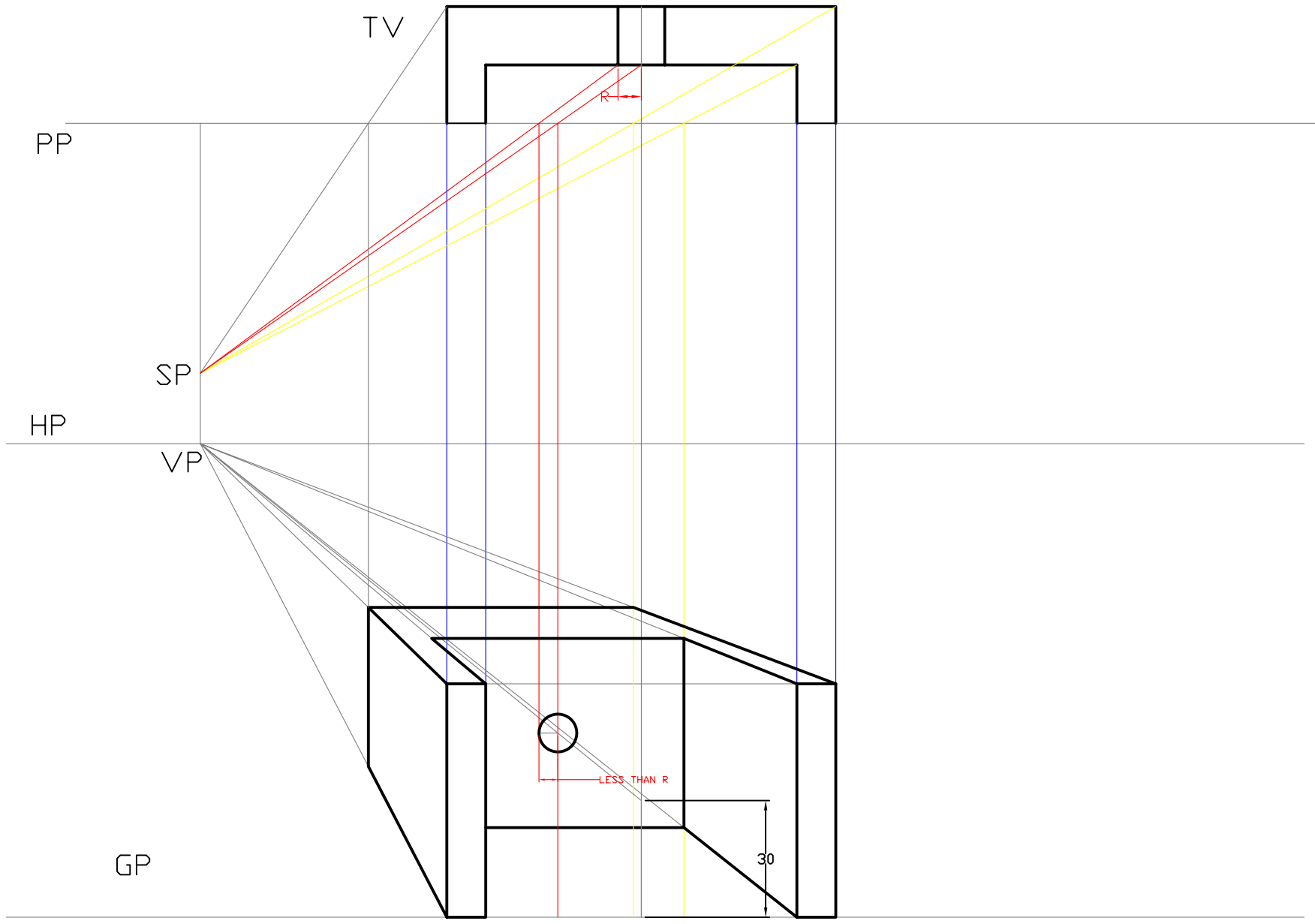
T3.1 (b)



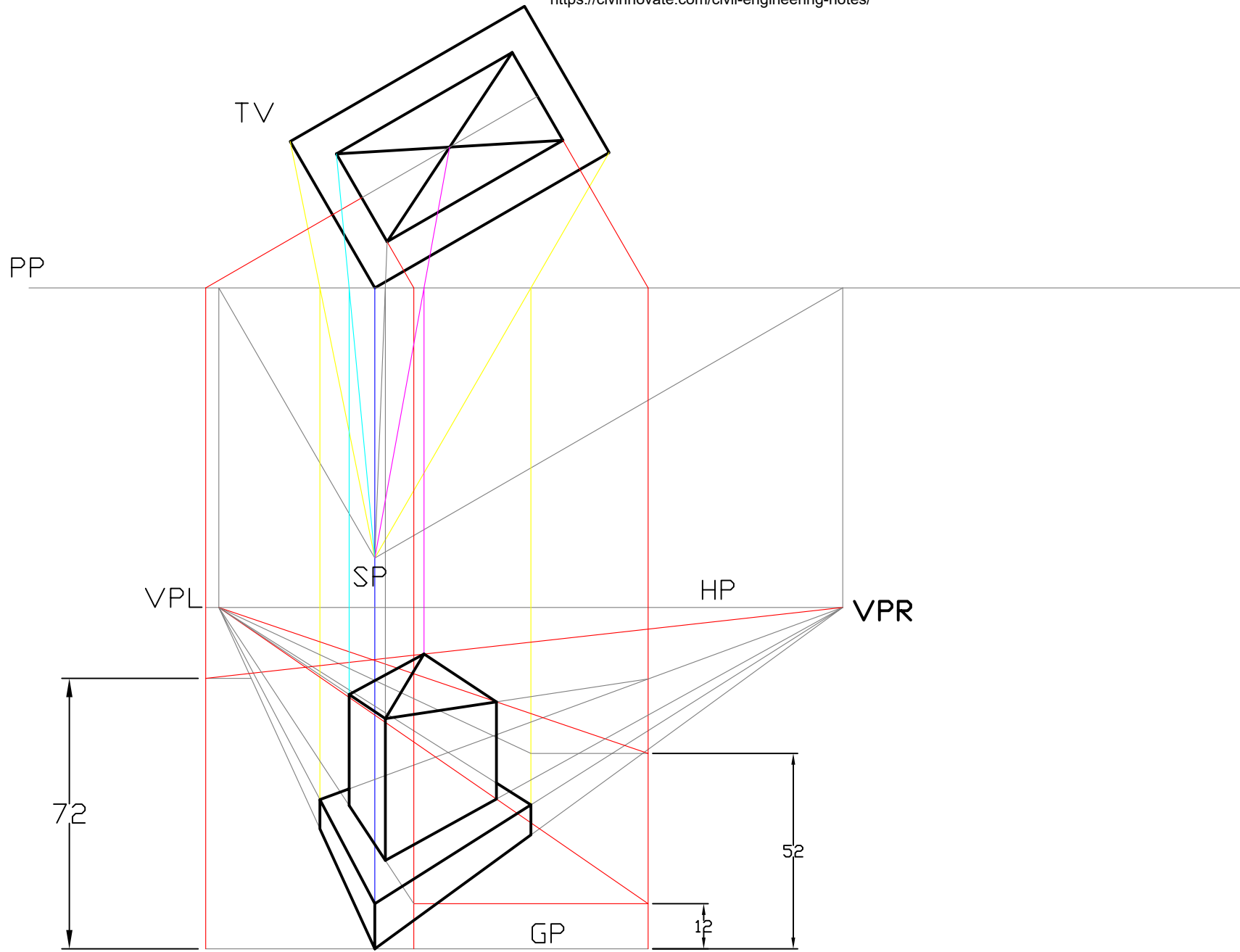
T3.2 (a)



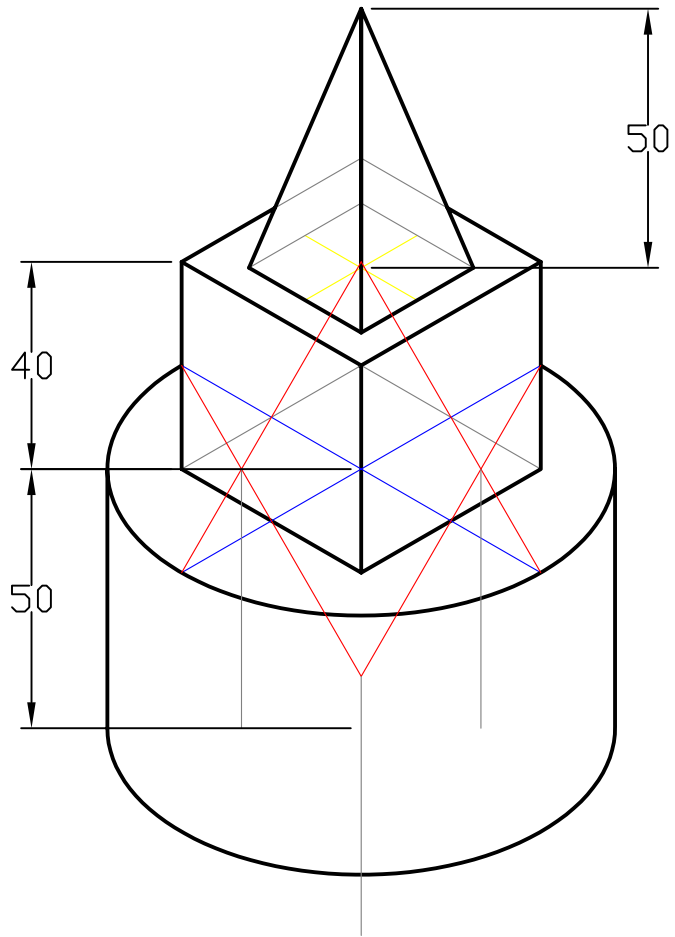
T3.2 (b)



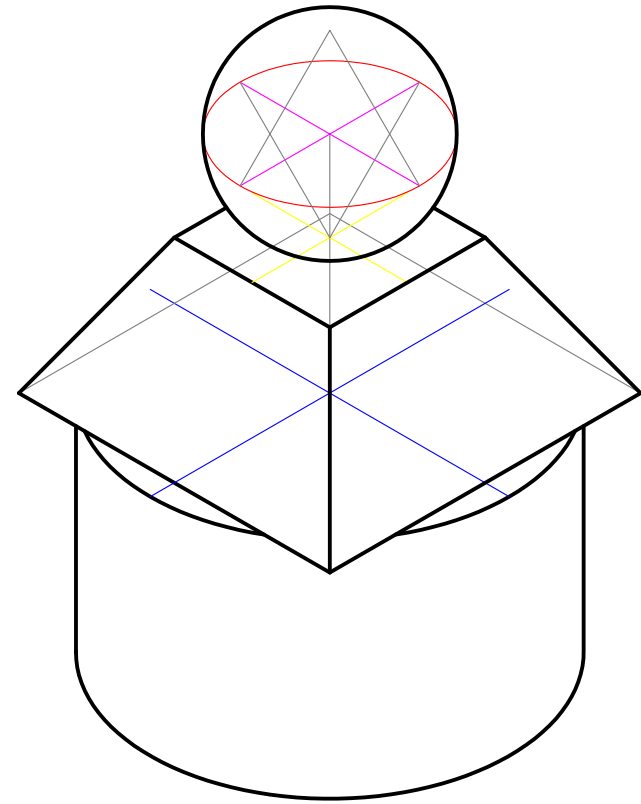
T3.3



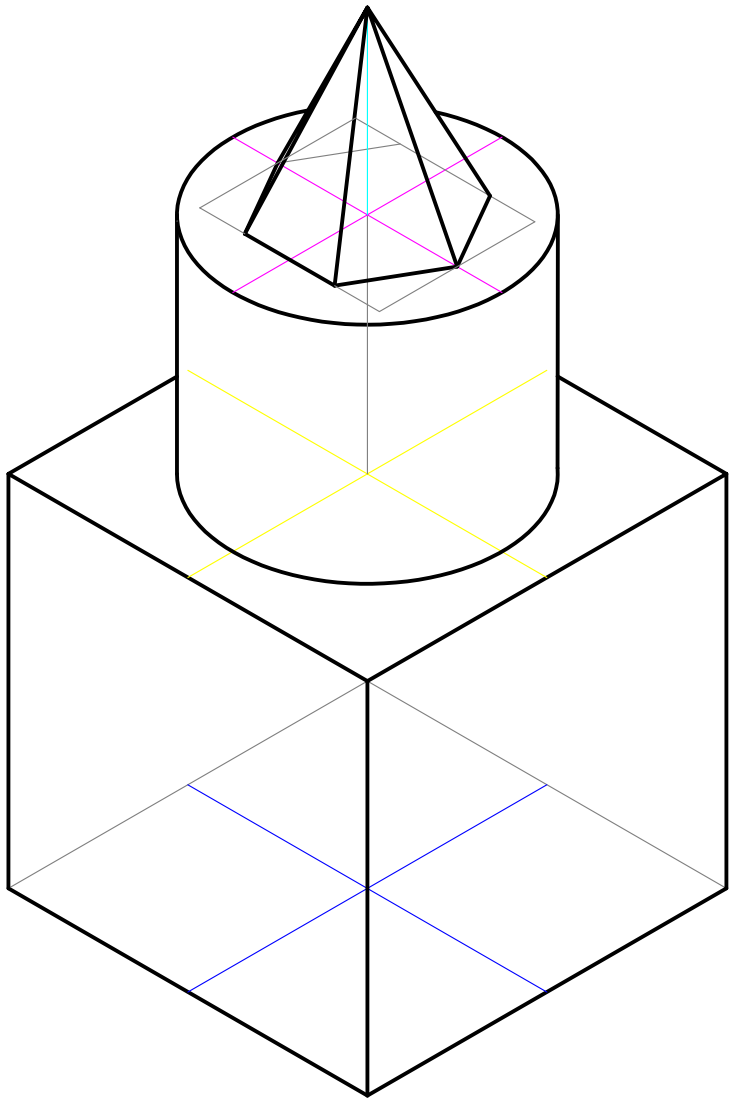
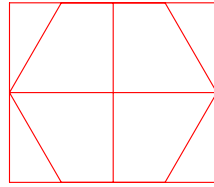
T3.4



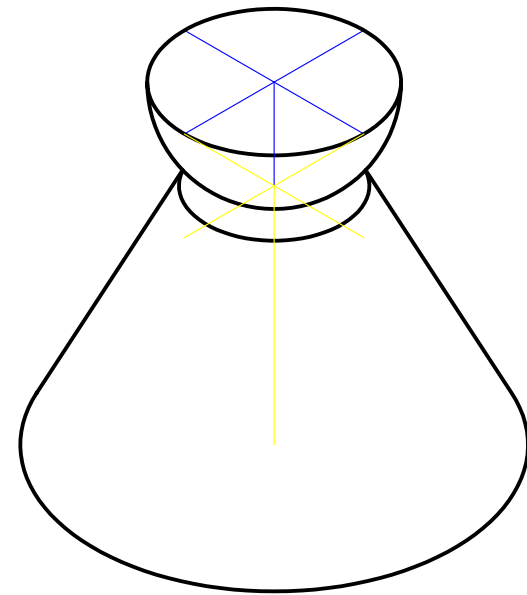
T4.1



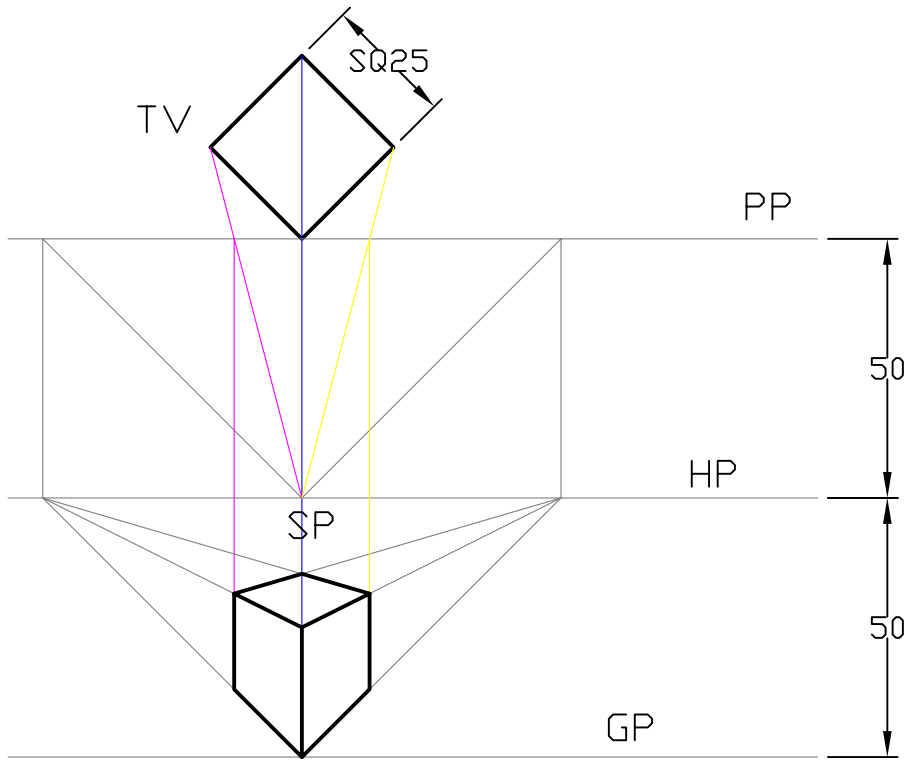
T4.2



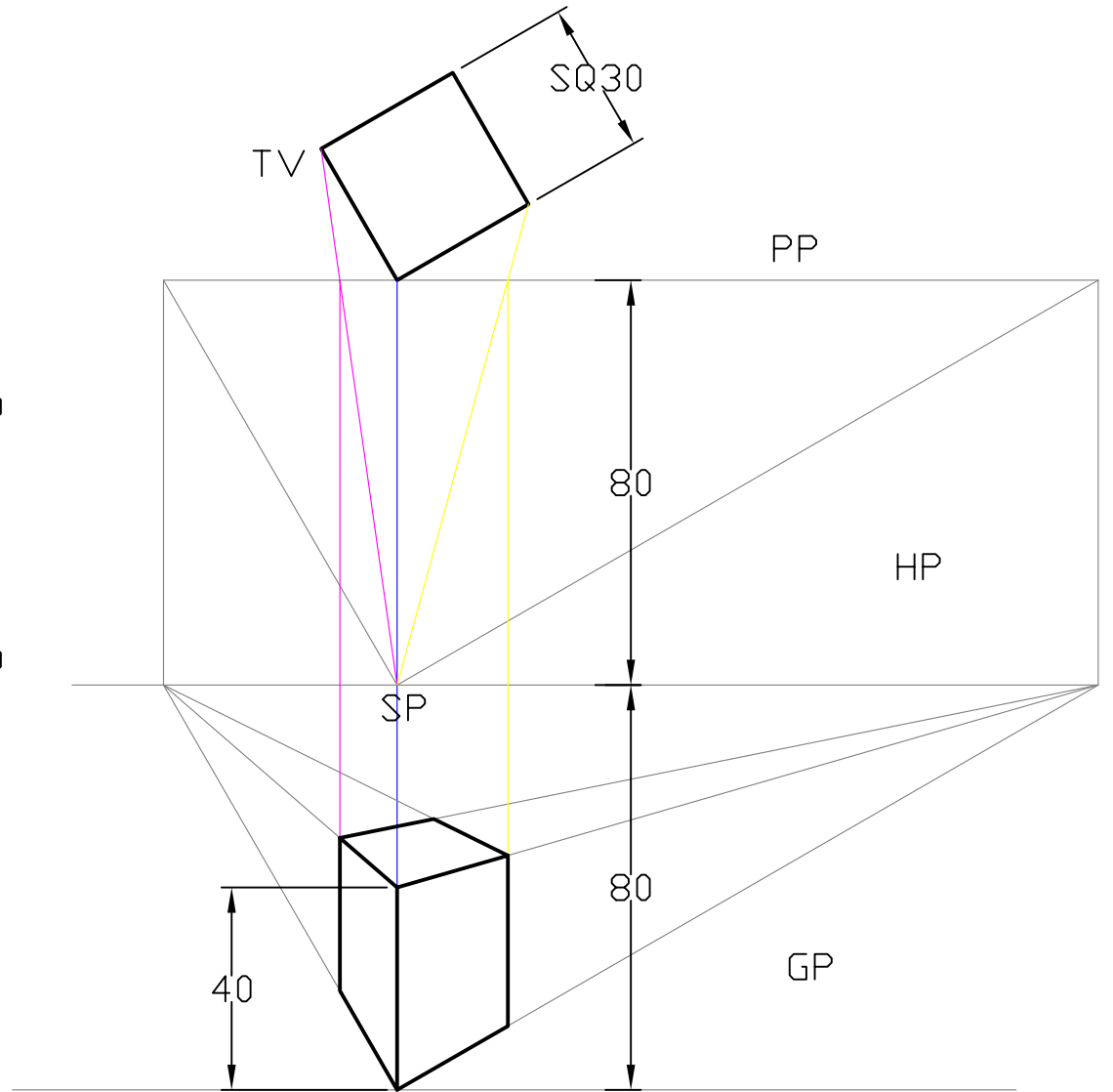
T4.3



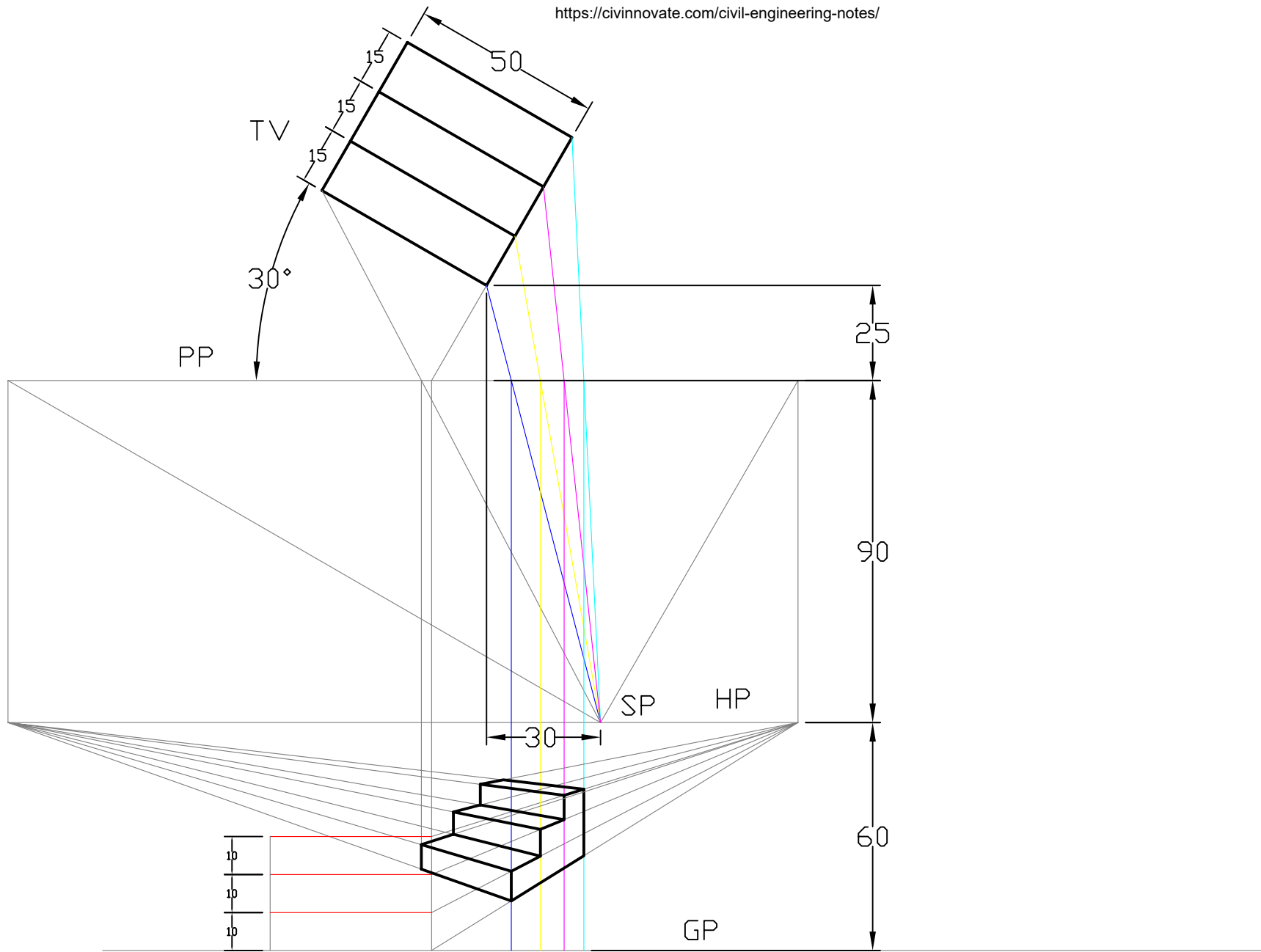
T4.4



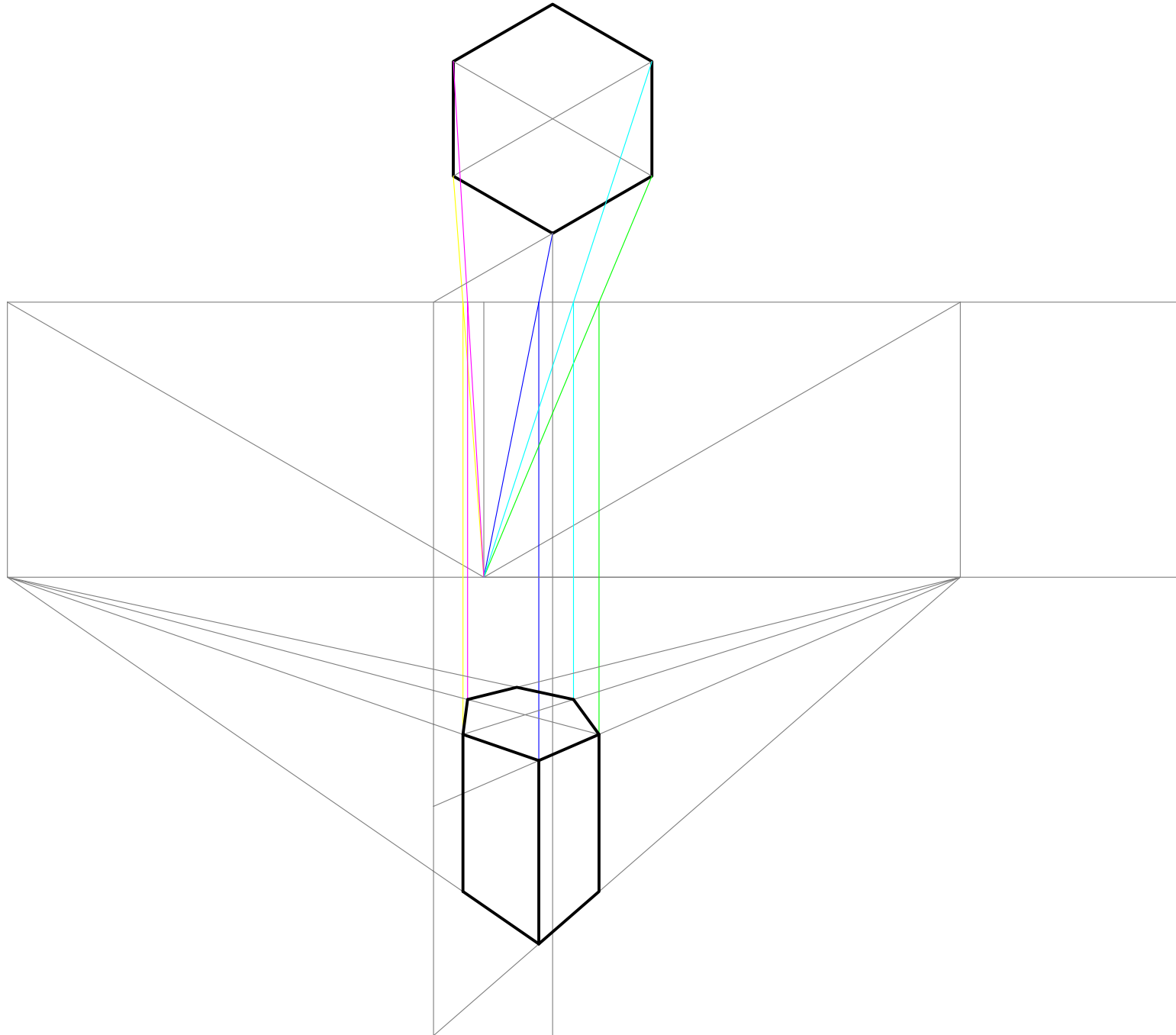
T4.5

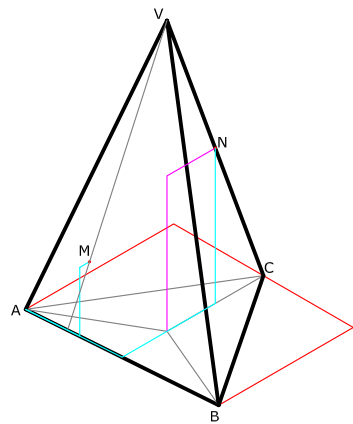
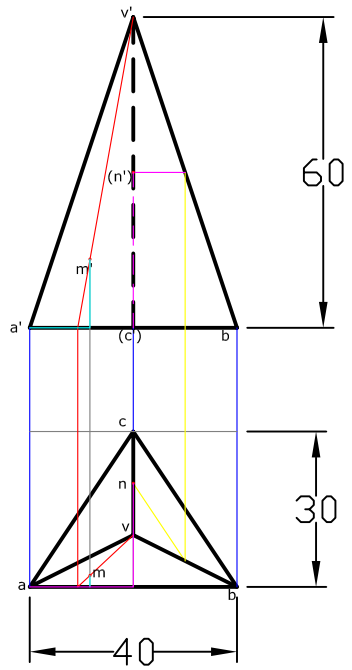


T4.6

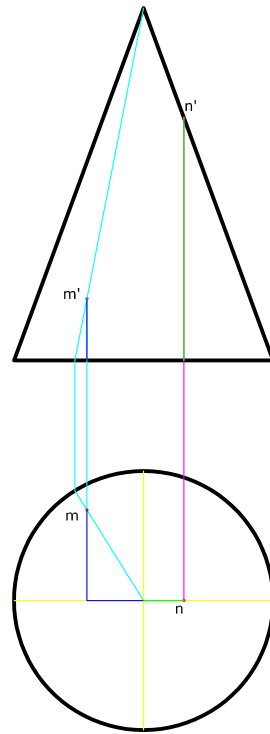


T4.7

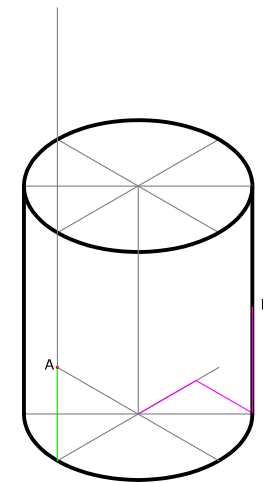
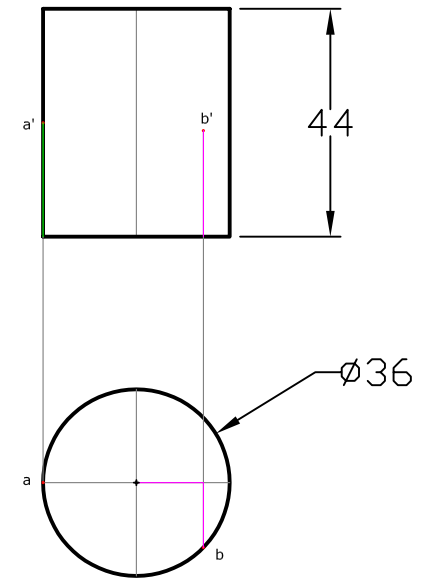
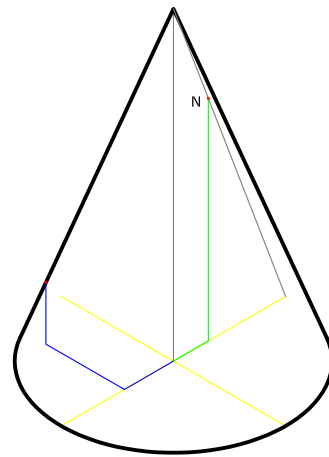




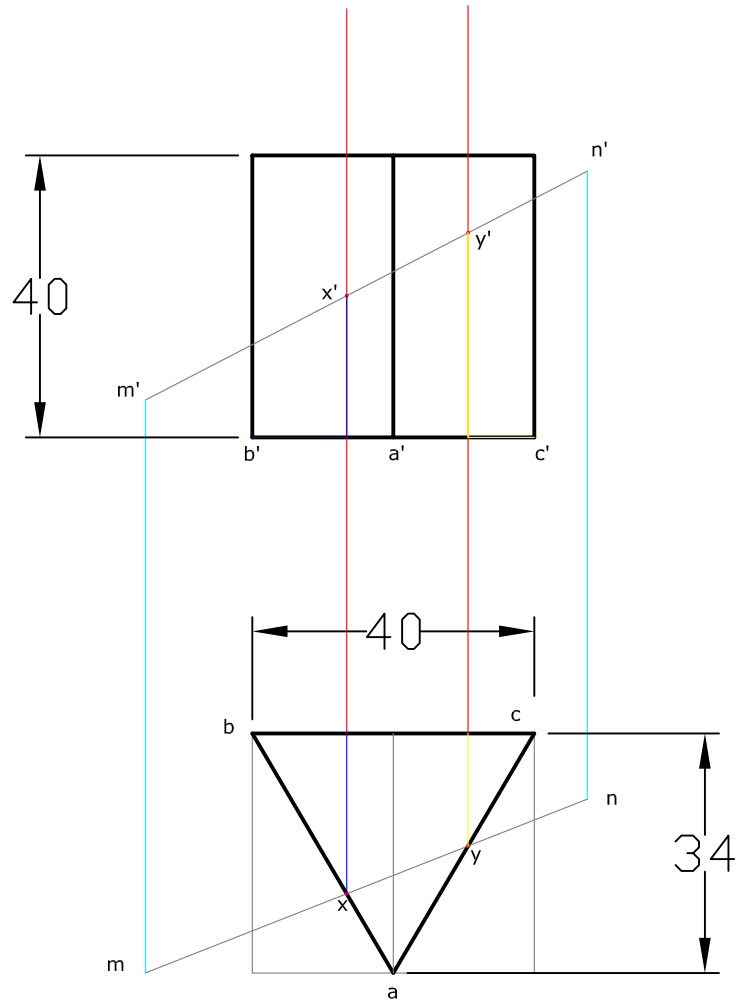
T4.9 (a)



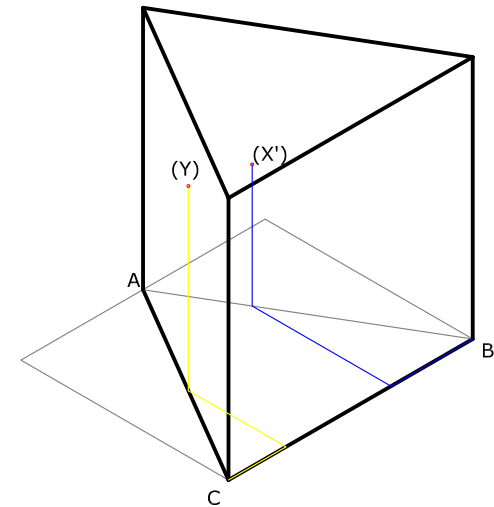
T4.9 (b)

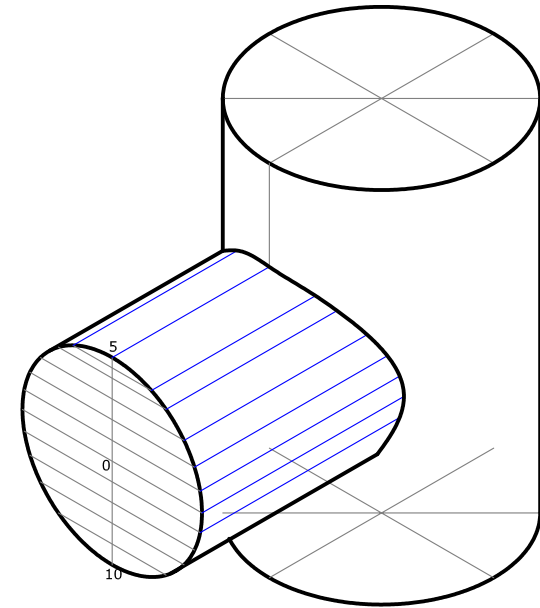
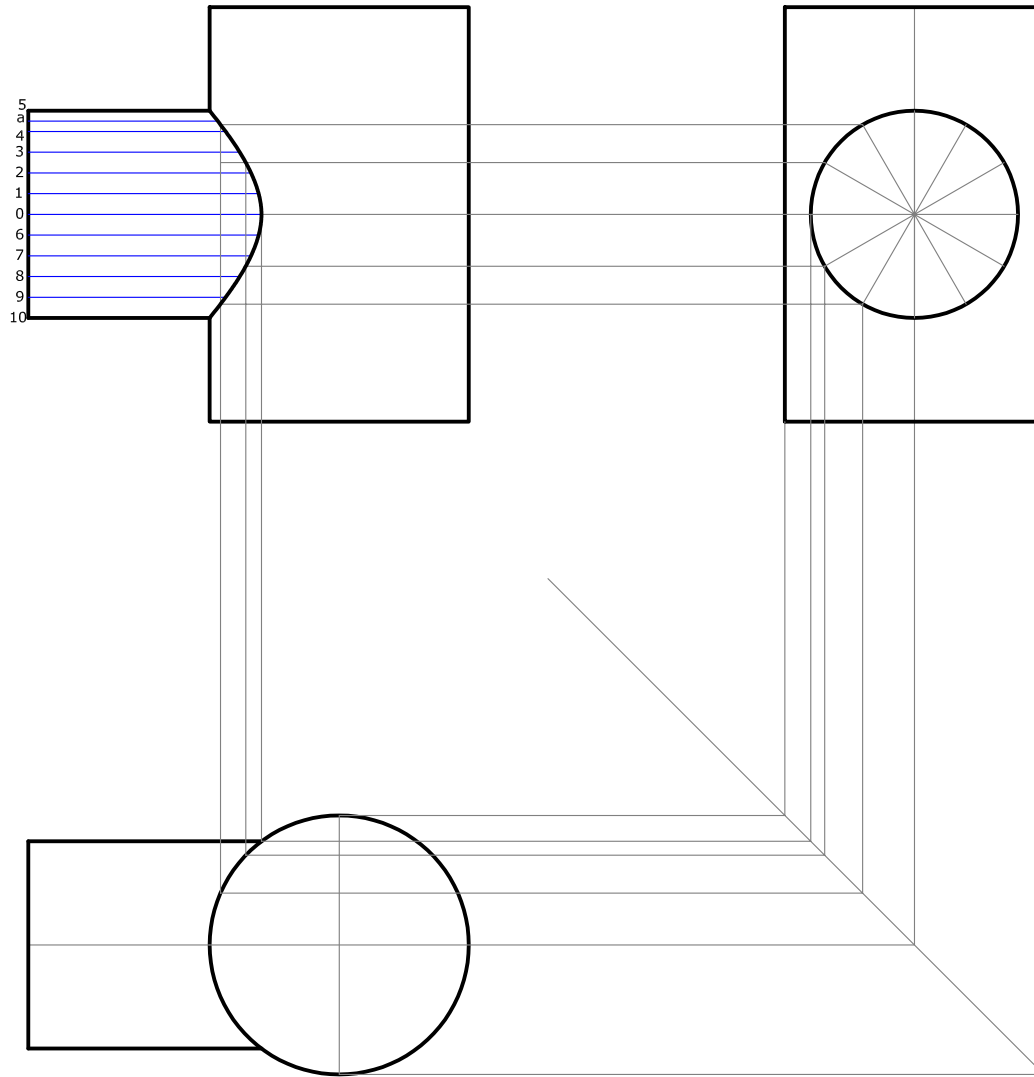


T4.9 (c)

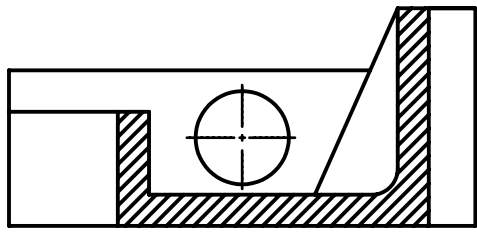


T4.10

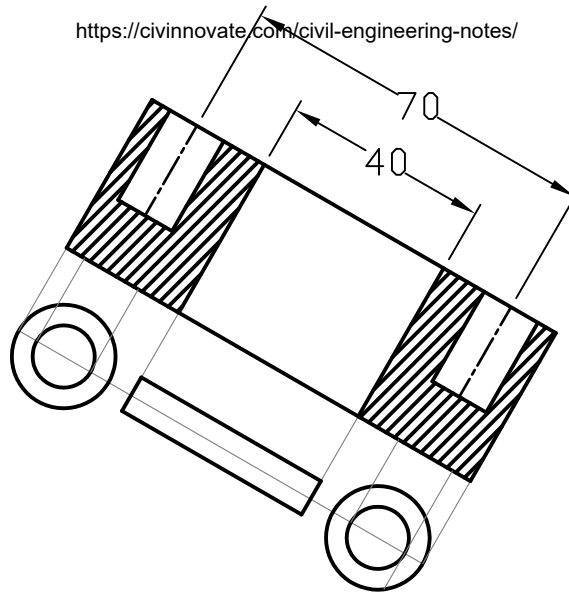




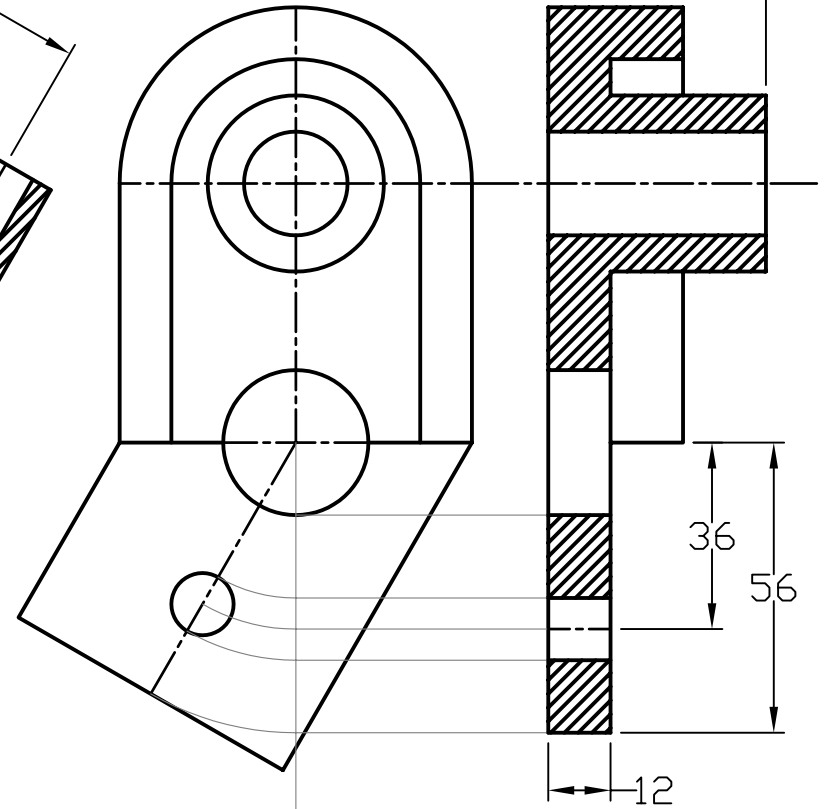
T4.11



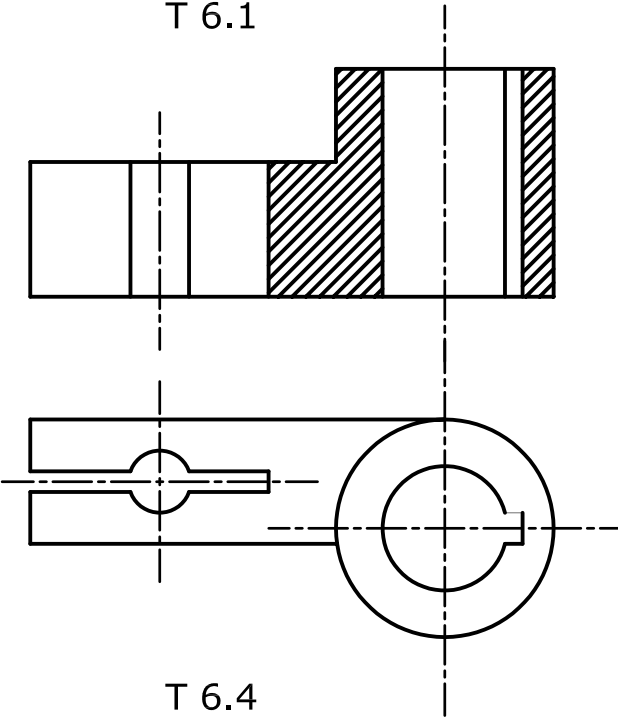
T 6.1



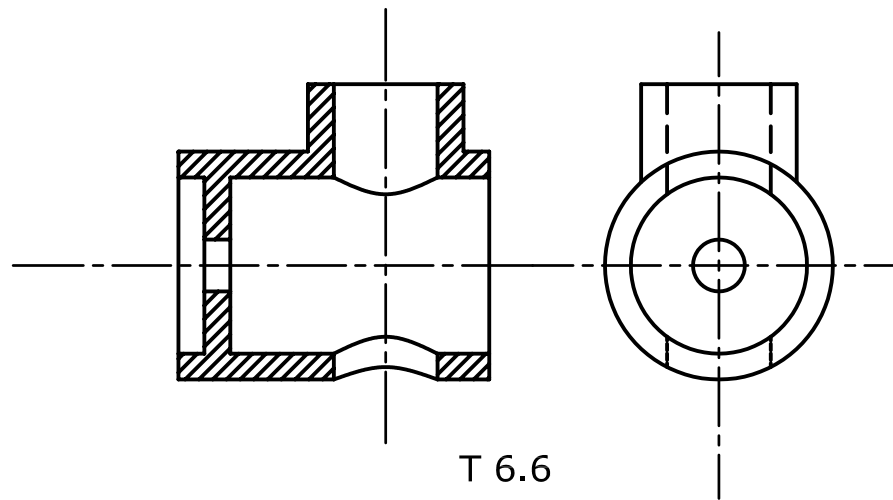
T 6.2



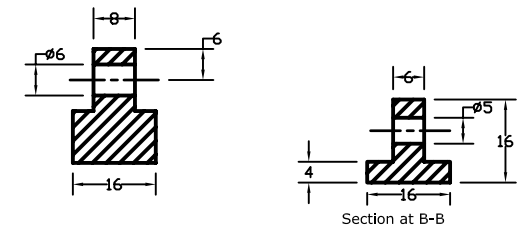
T 6.3



T 6.4



T 6.6



T 6.5

Section at B-B



Civinnovate

Discover, Learn, and Innovate in Civil Engineering

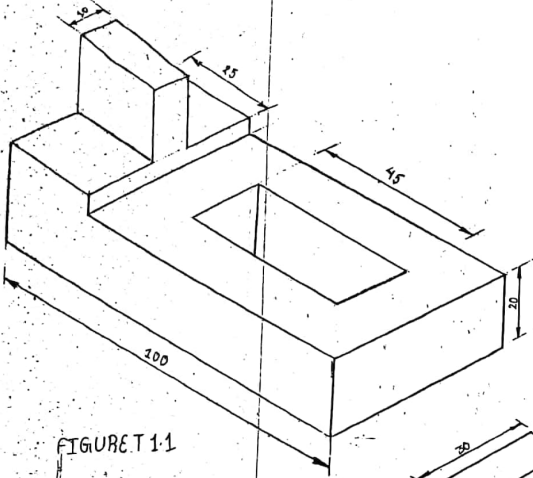


FIGURE 1.1

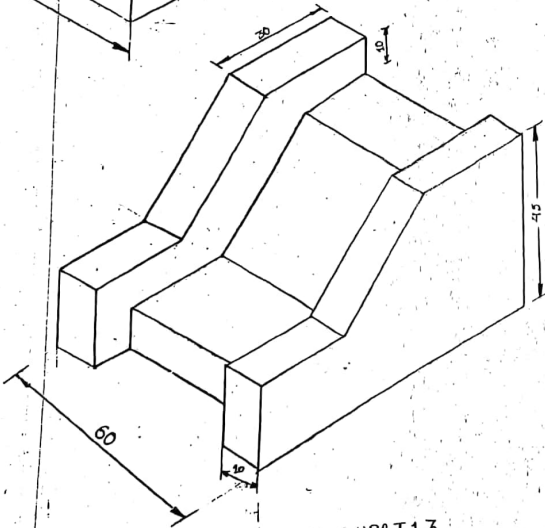


FIGURE 1.3

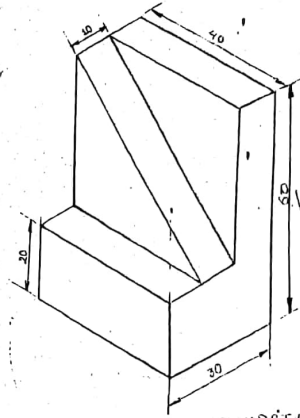


FIGURE 1.2

Handwritten signature

Sl	DESCRIPTION	QTY	UNIT	REMARK
DRAWN BY	ANISH POODEL			ACEM
ROLL NO	BCET016 / IF			
CHECK BY				
TITLE	ISOMETRIC DRAWING			
SCALE	1:1			
		DRG. SHEET NO.	1	

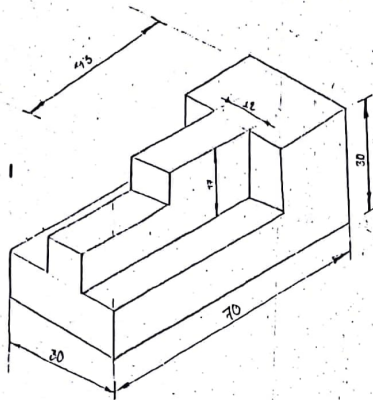


FIGURE T1-e

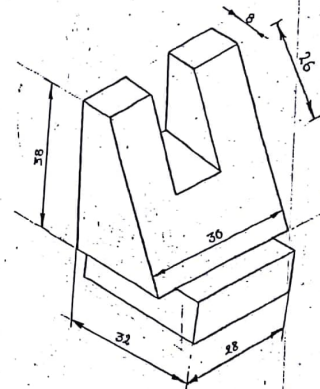


FIGURE T1-f

206

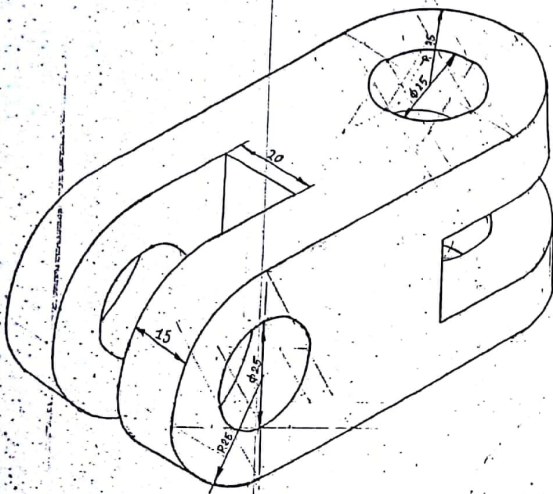


FIGURE T1:1a

DB9/BCG/076

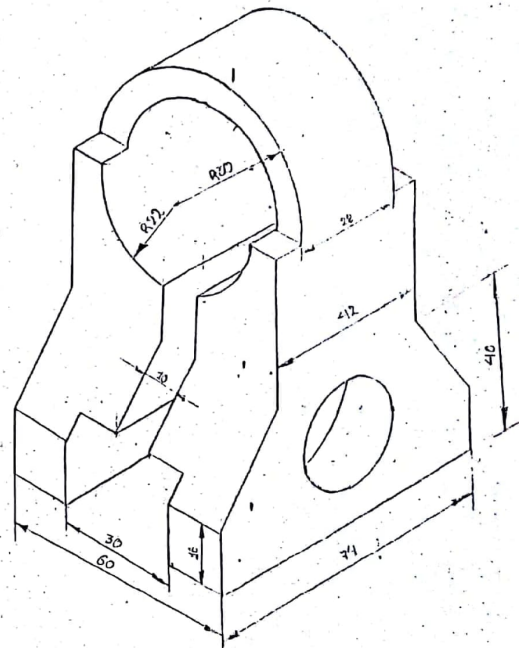


FIGURE T1:2

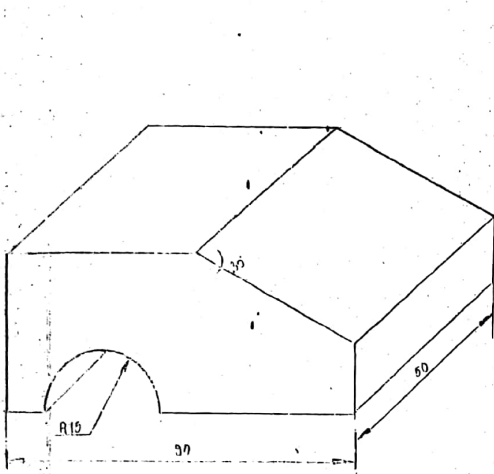


FIGURE 2.1

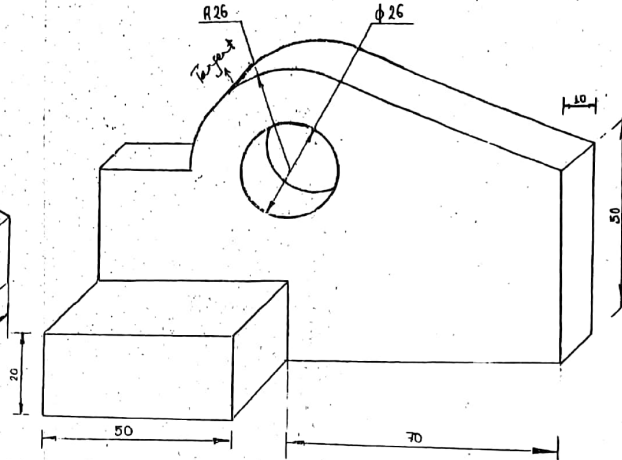


FIGURE 2.3

DL

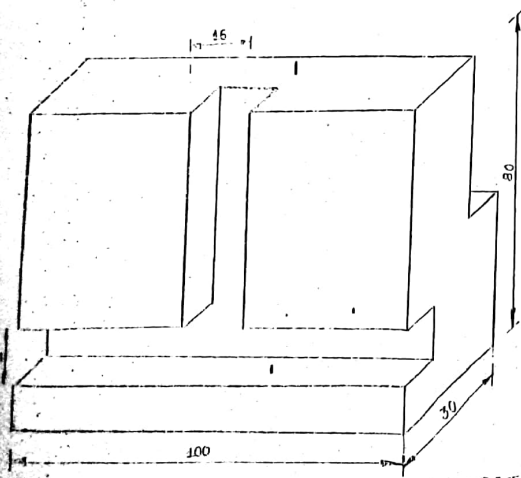


FIGURE 2.1

S NO	DESCRIPTION	QTY	MATERIAL	REMARK
DRAWN BY	ABHISHEK POODEL			A C E M
ROLL NO	BCE106 TL			
CHECK BY				
TITLE	OBLIQUE DRAWING			
SCALE	1:1			
DATE	2020-01-24			
ALL DIMENSION ARE IN MM				
		DRAW SHEET NO	2	

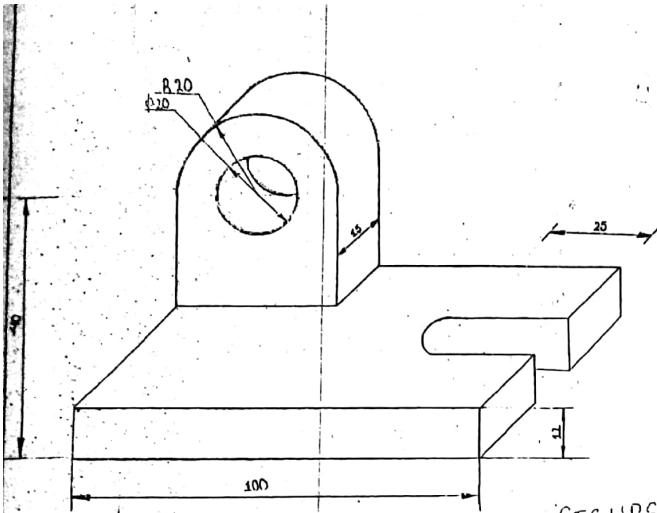


FIGURE 2.1d

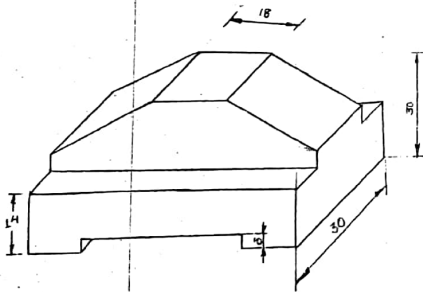


FIGURE 2.1g

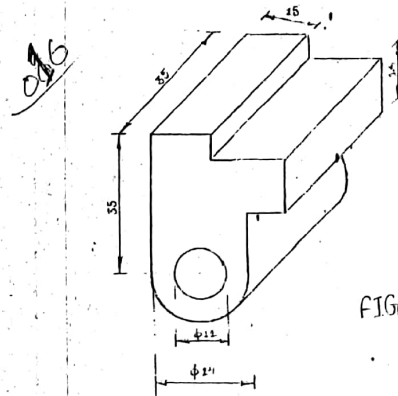


FIGURE 2.1f

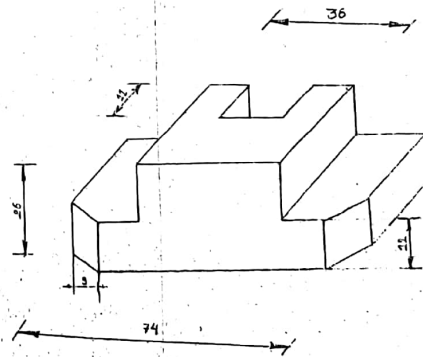


FIGURE 2.1h

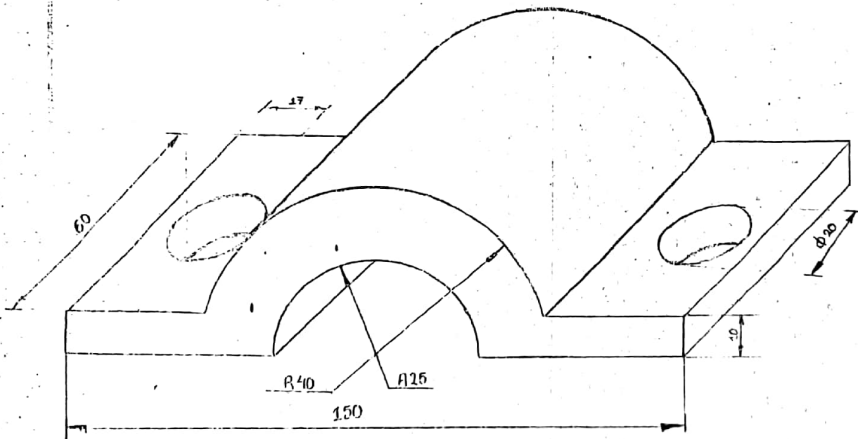
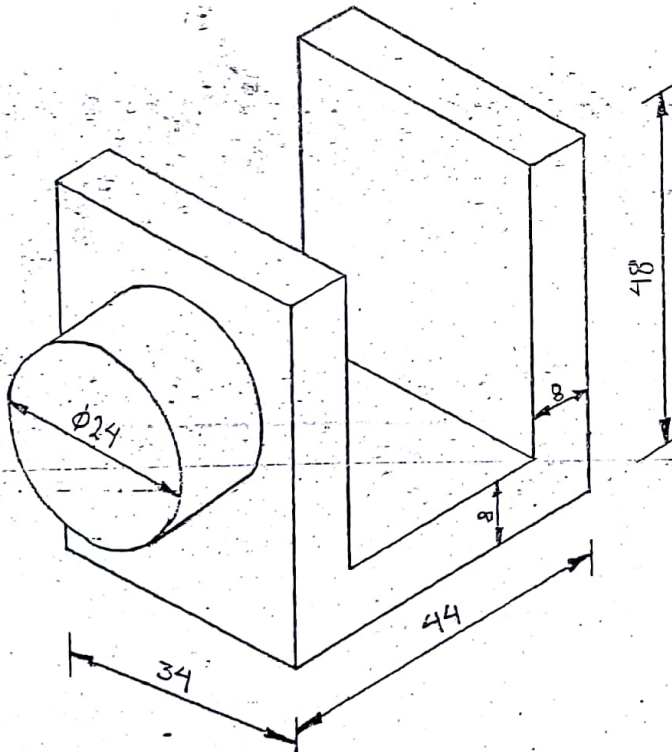


FIGURE T2.1.e

Handwritten signature or initials

EXTRA



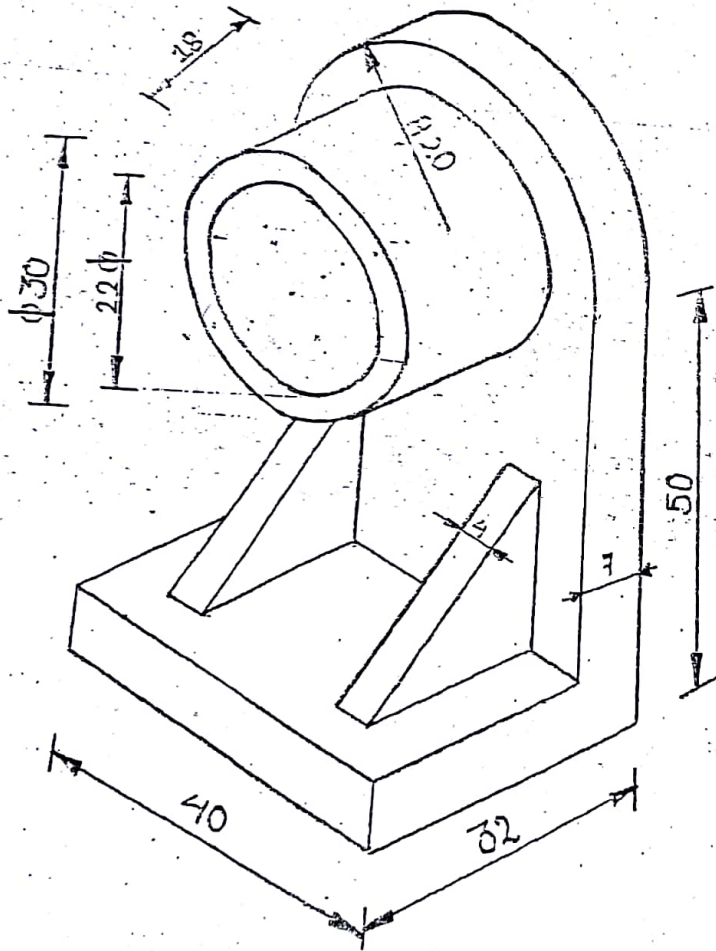


FIGURE - B (2069 Poush)

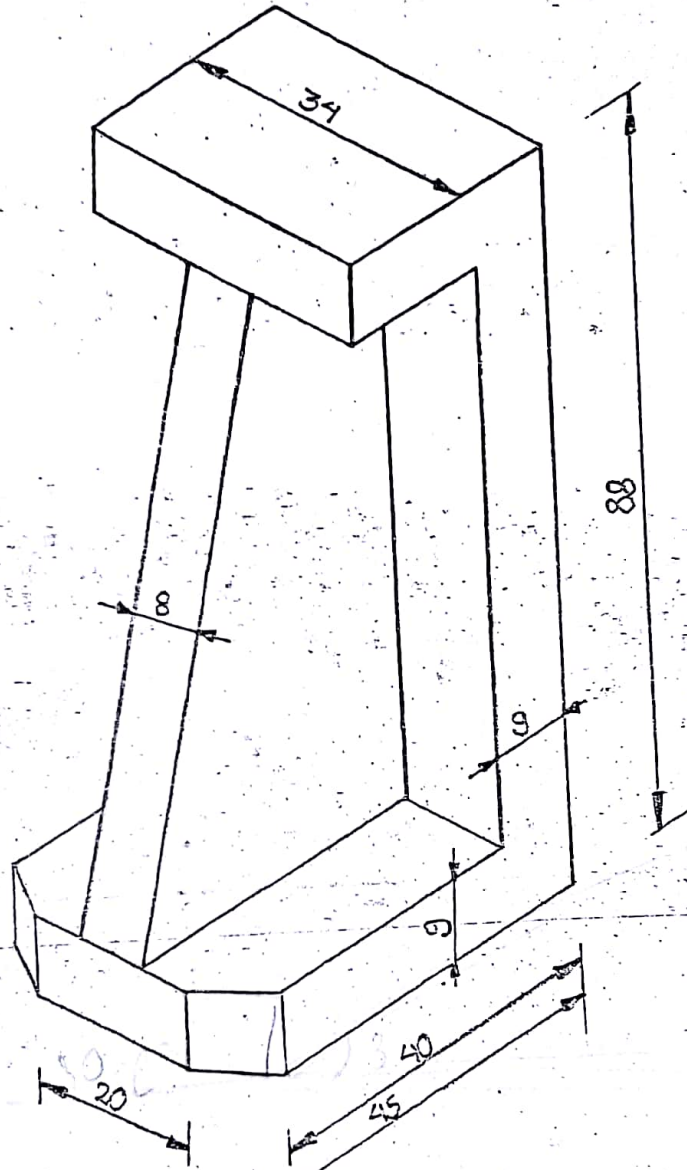


FIGURE : C

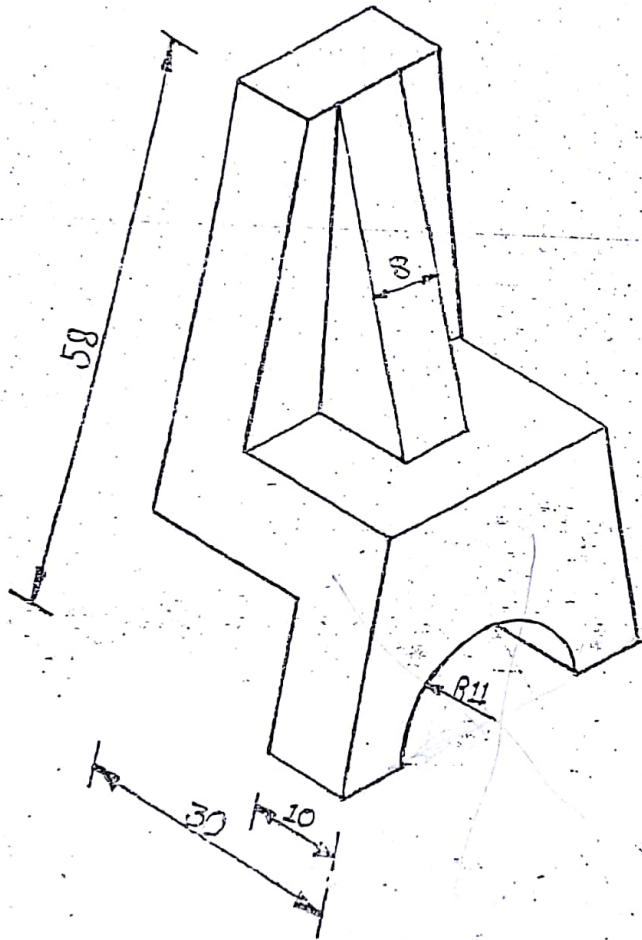


FIGURE: D

(2068 Magh)

60

20

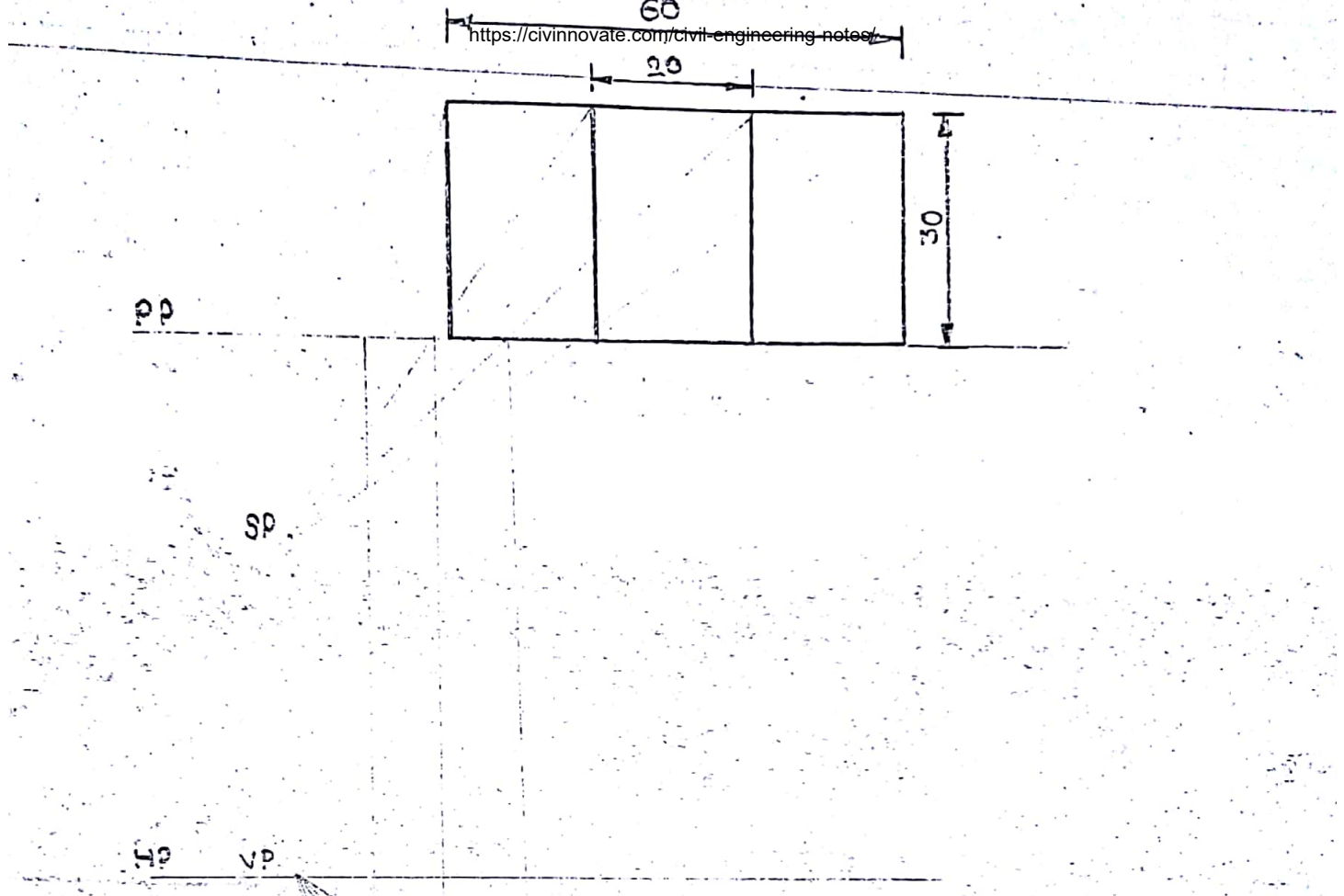
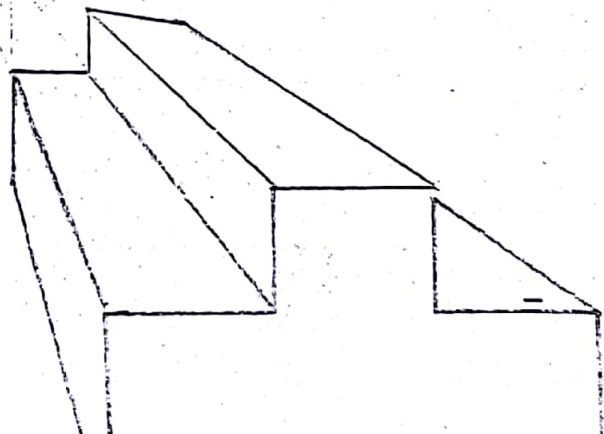
30

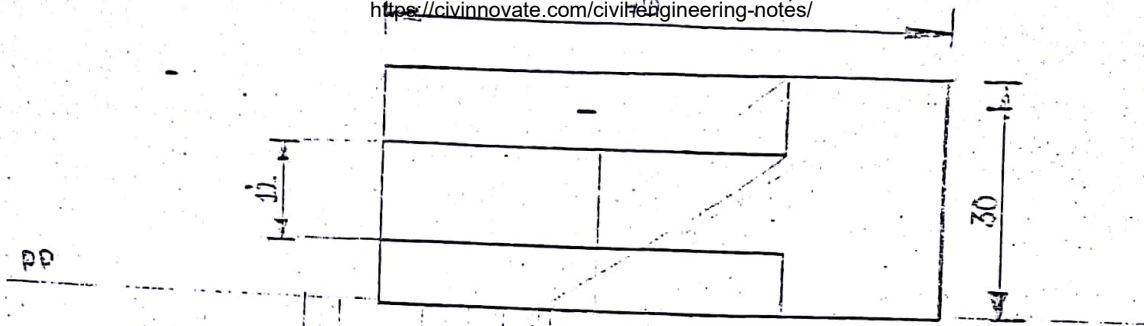
pp

sp

HP

VP



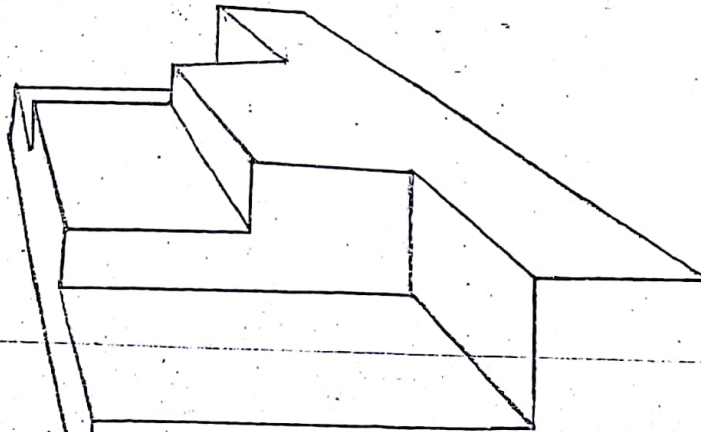


SP

HP

VP

089/BCE/016



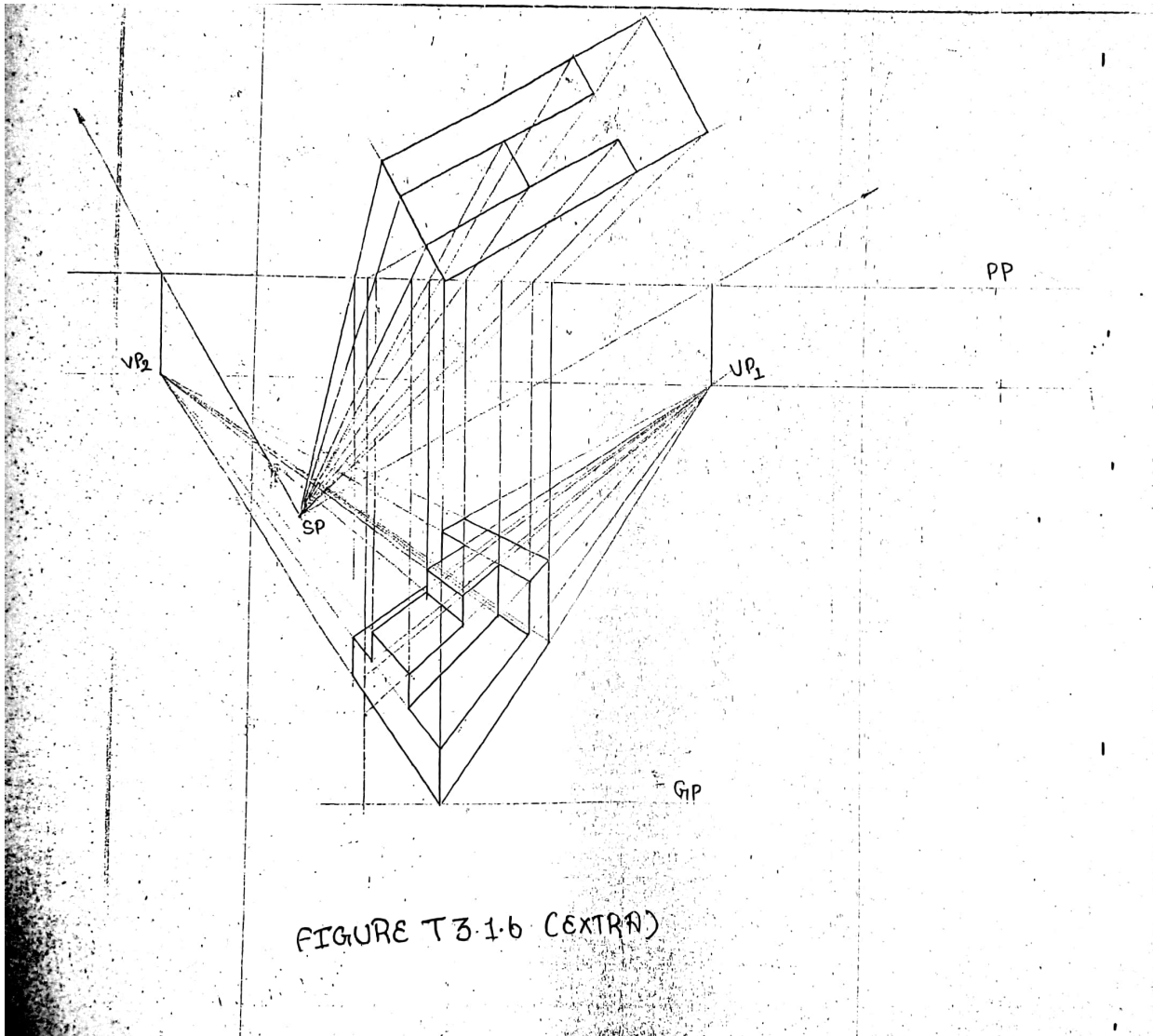
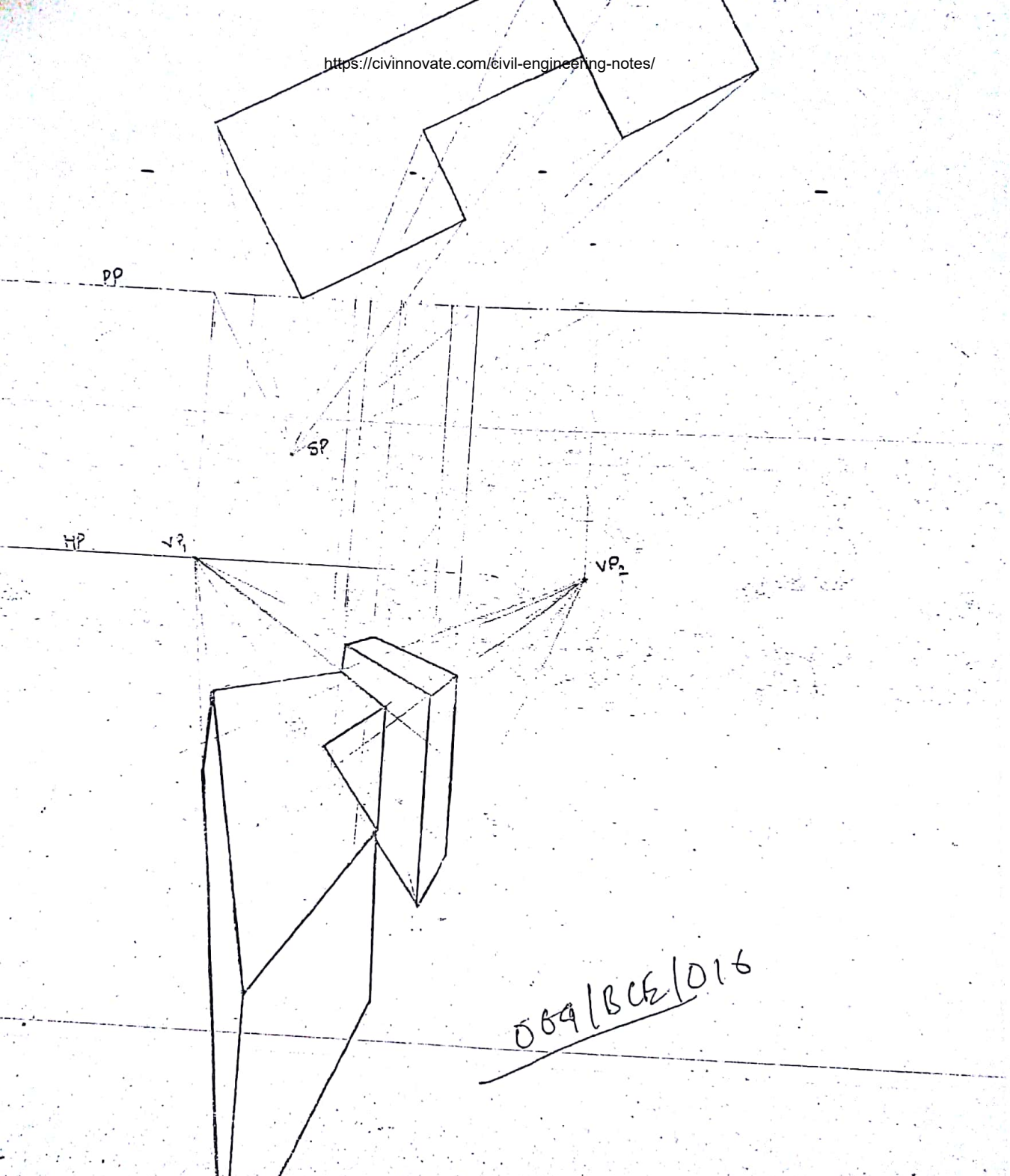
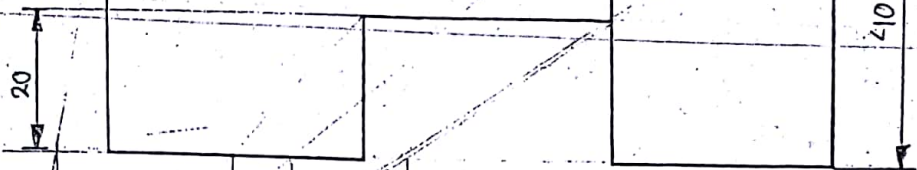


FIGURE T 3.1.6 (EXTRA)



089/BCE/016

35 30

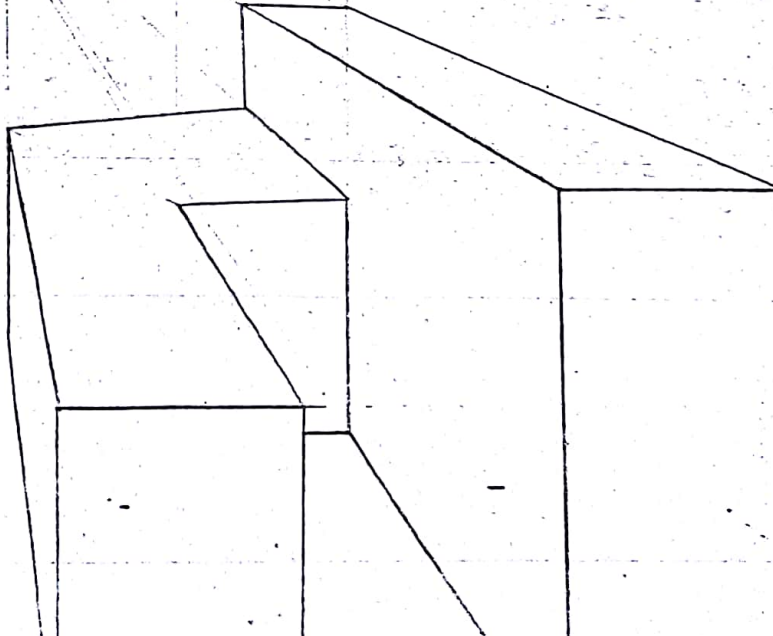


PP

SP

HP

LP



100
<https://civinnovate.com/civil-engineering-notes/>

30

12

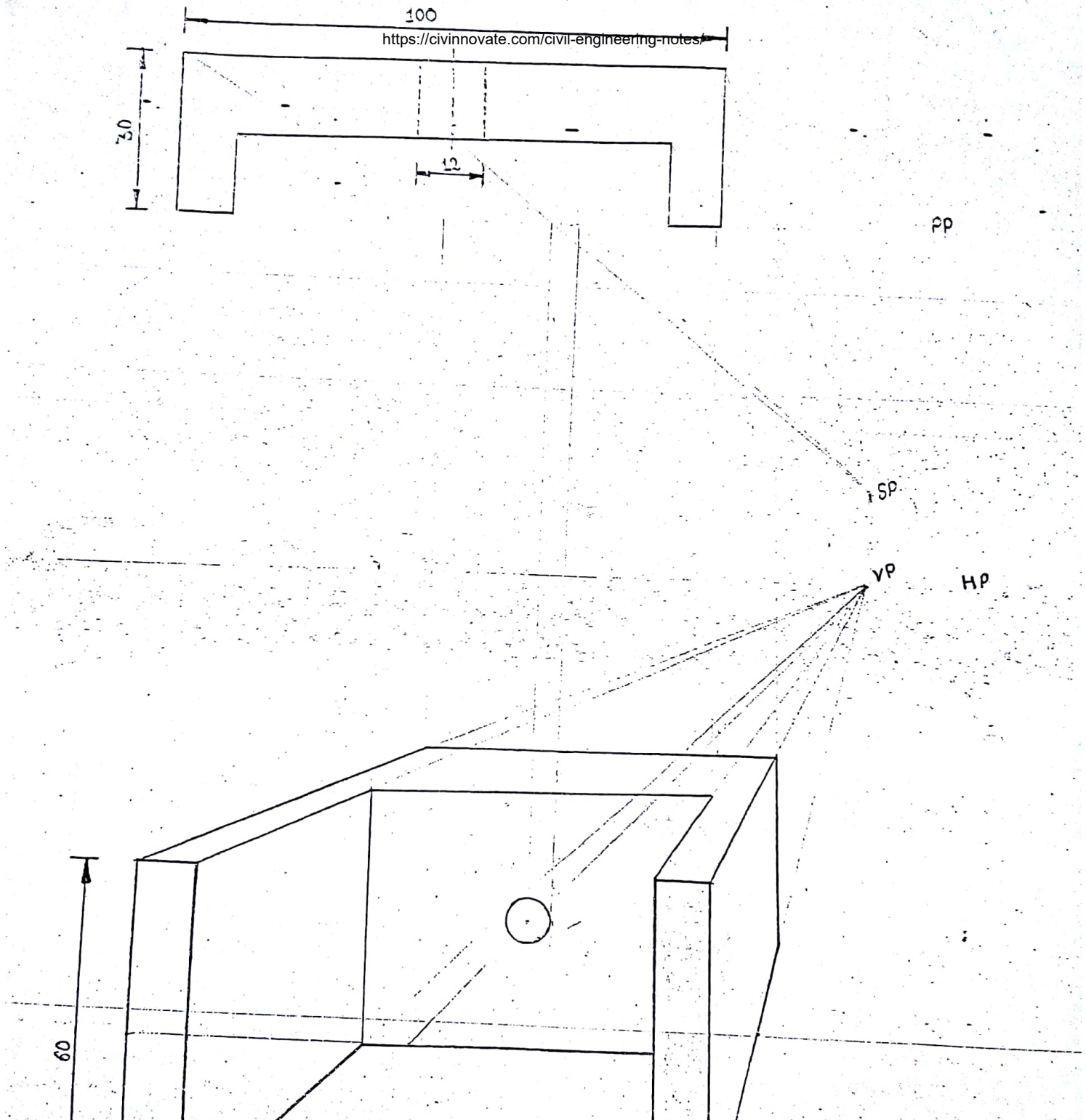
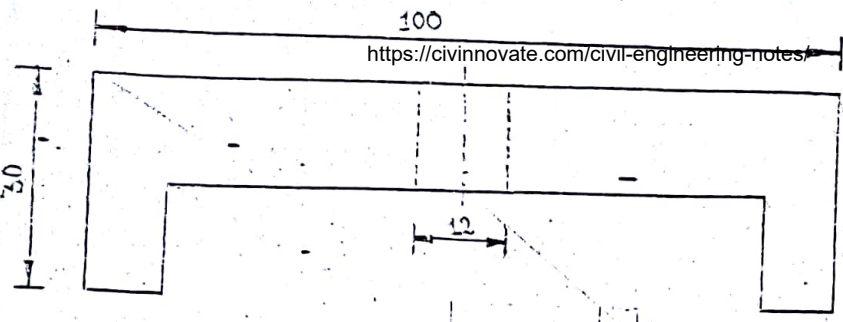
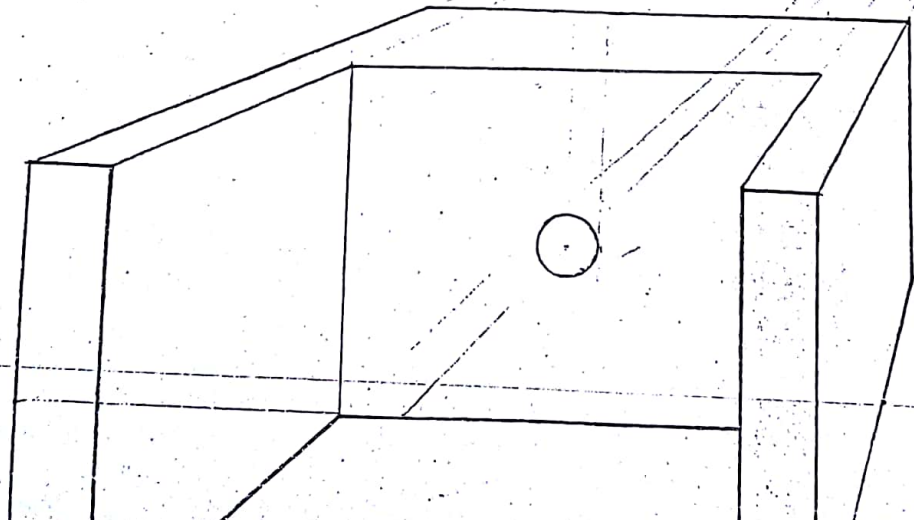
pp

isp

vp

hp

60



EXTRA

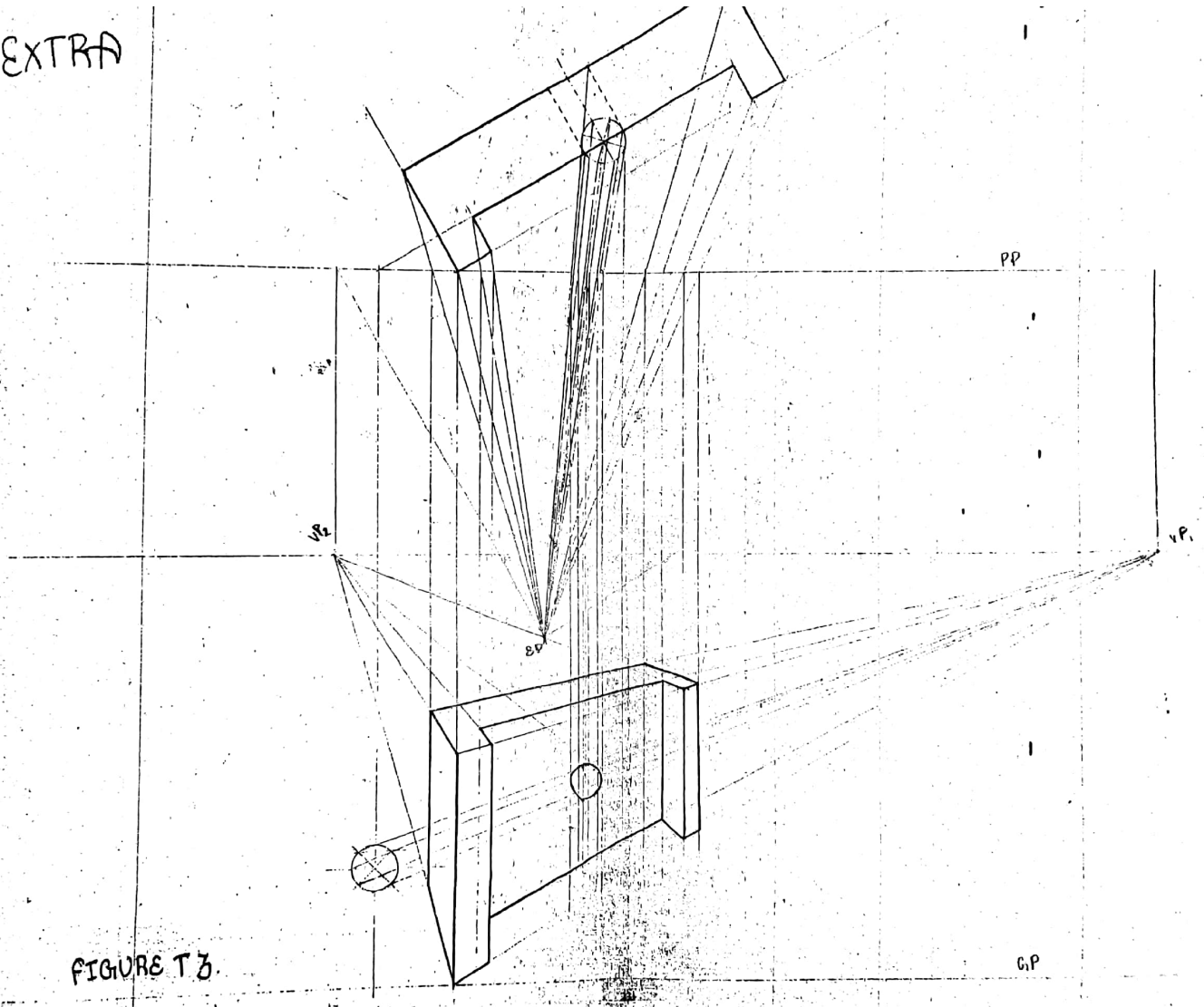


FIGURE T3.

G.P

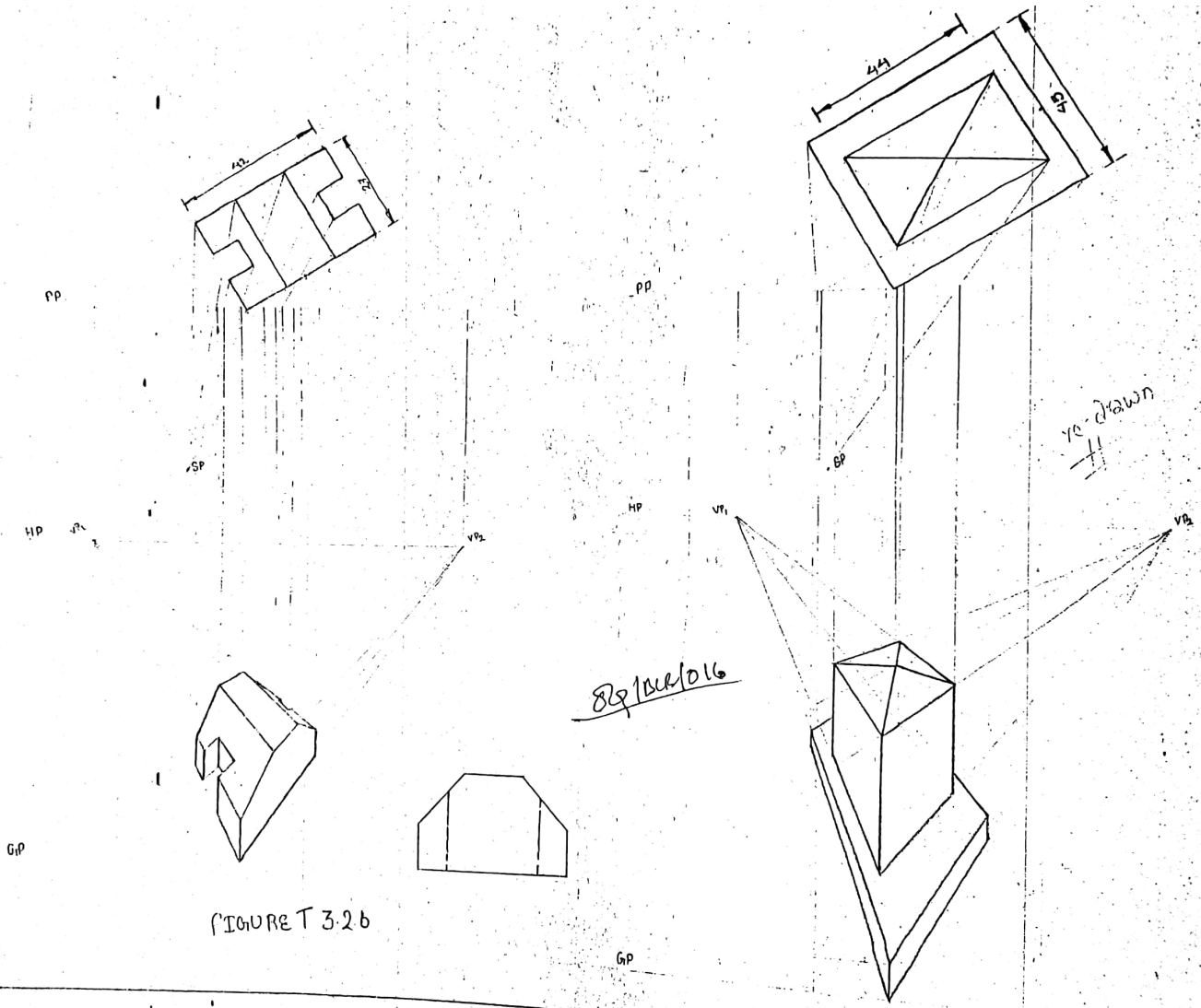
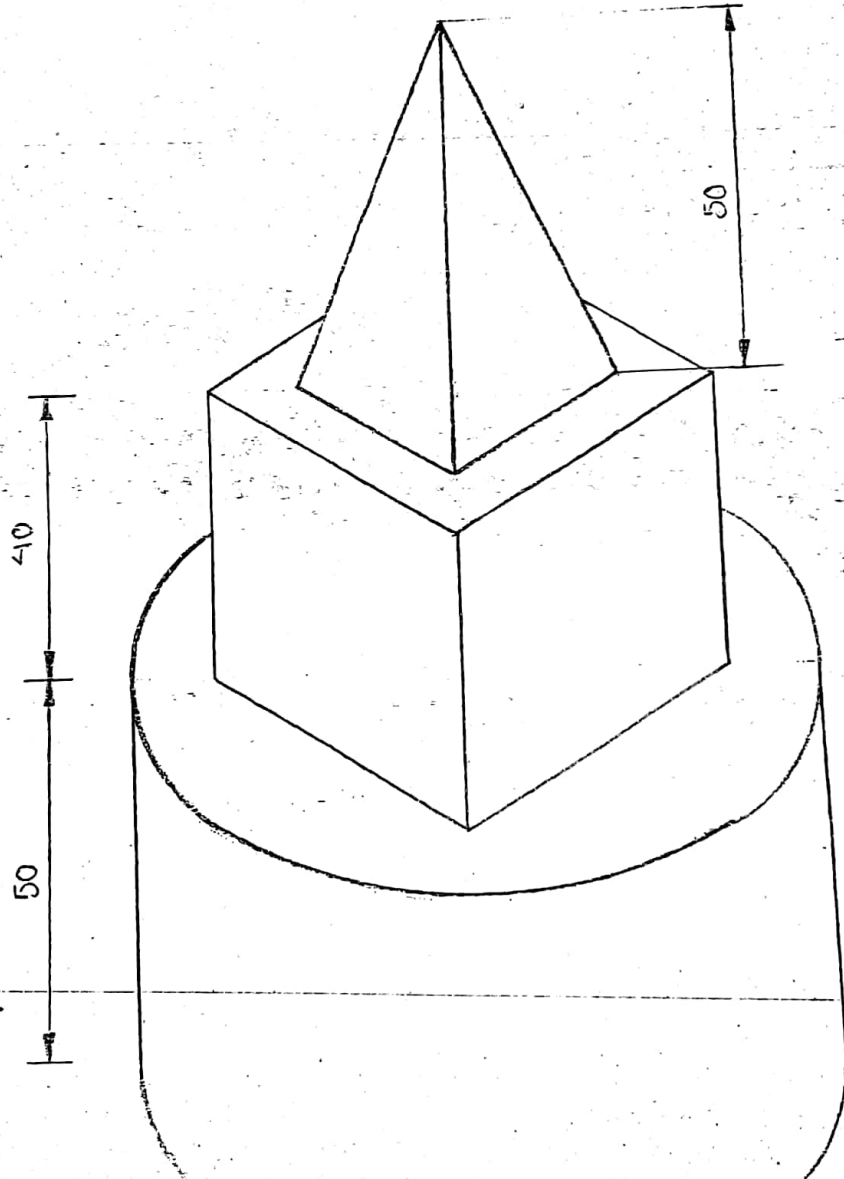


FIGURE T 3.2 b



209/RCE/016

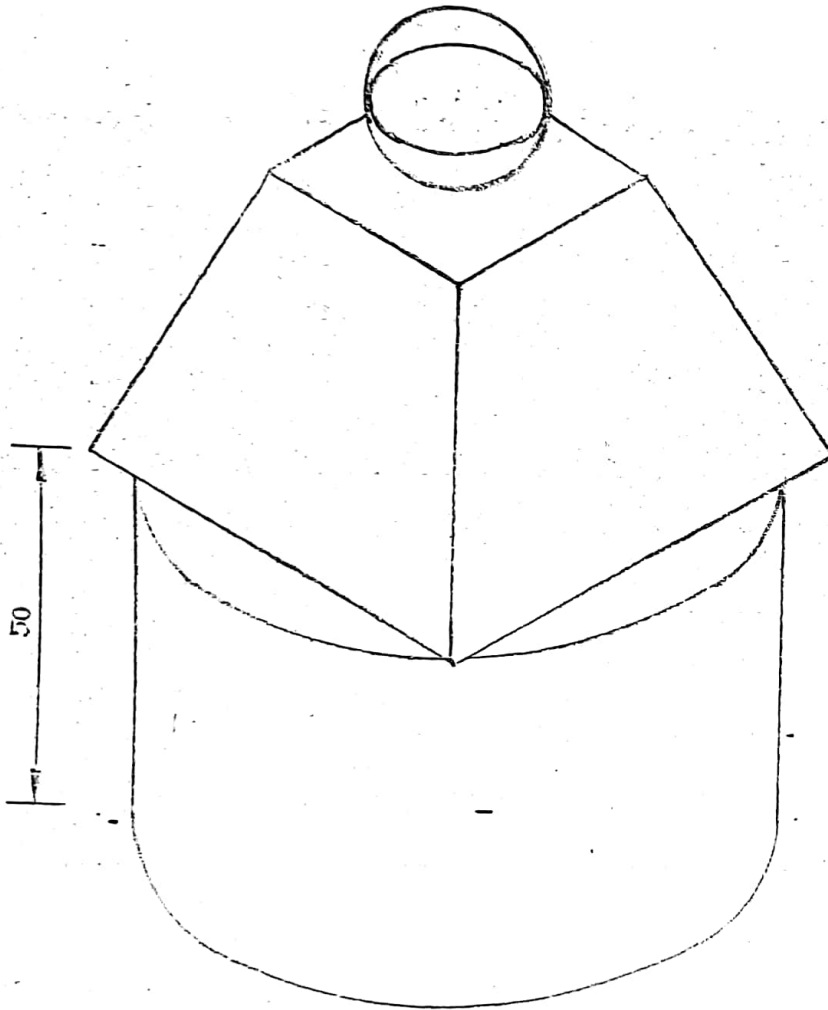
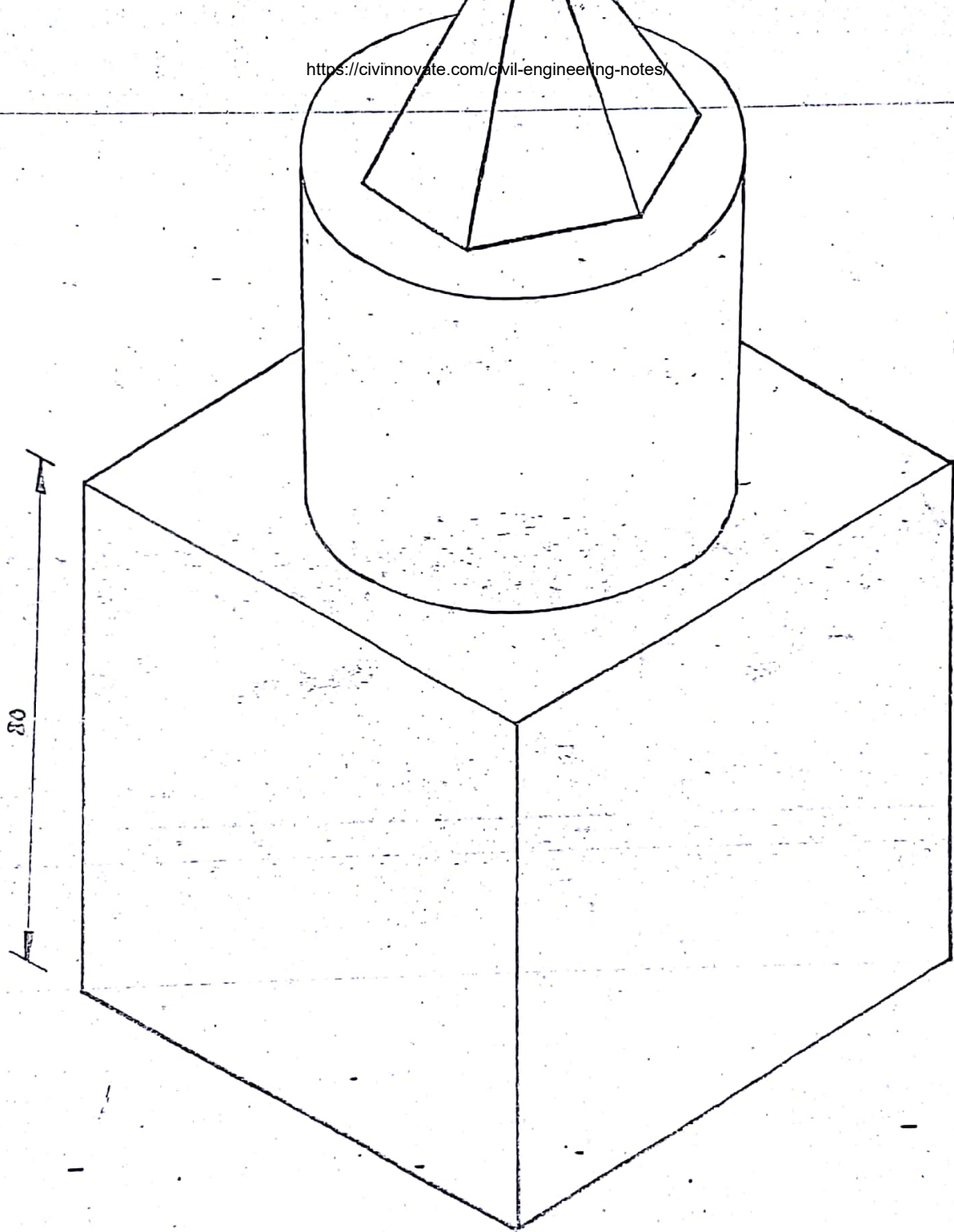


FIGURE T-4-2



89/BCU/016

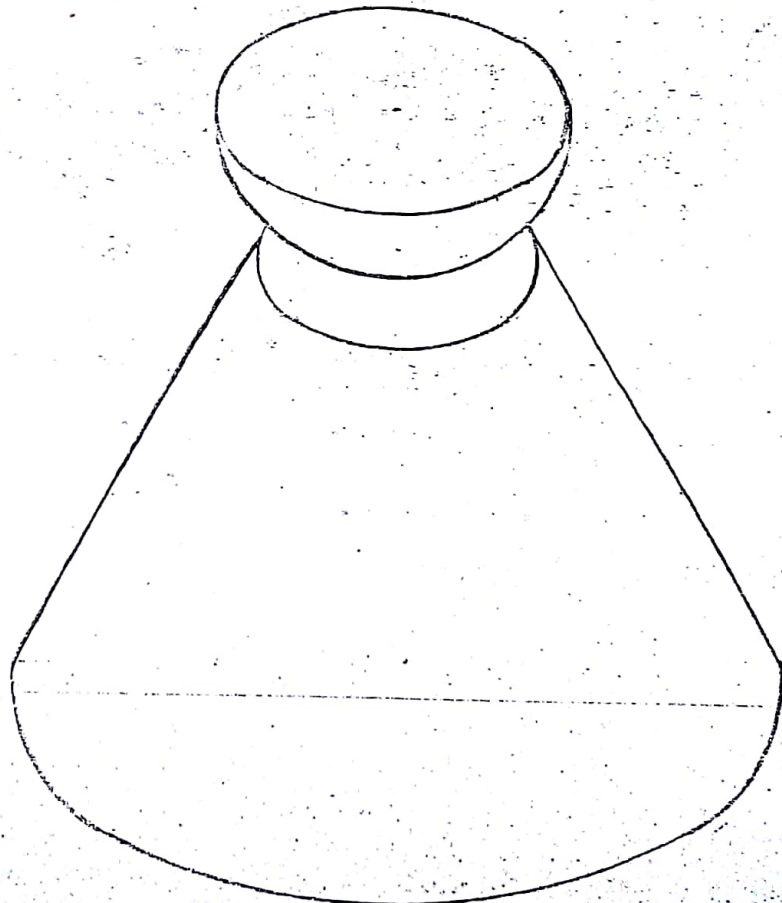


FIGURE 4.4

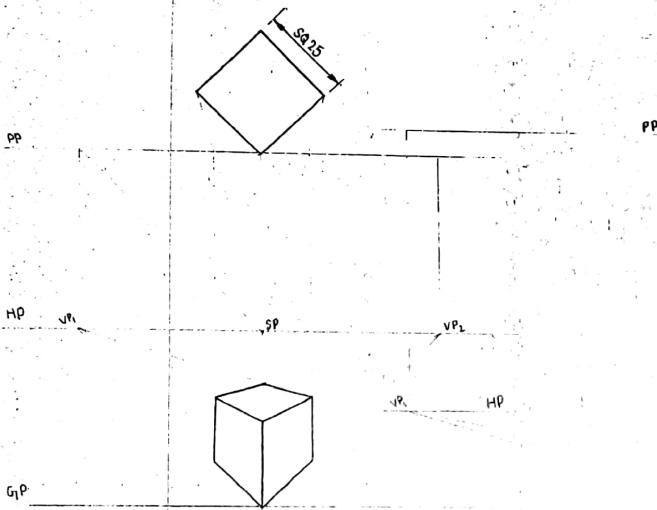


FIGURE 4.5

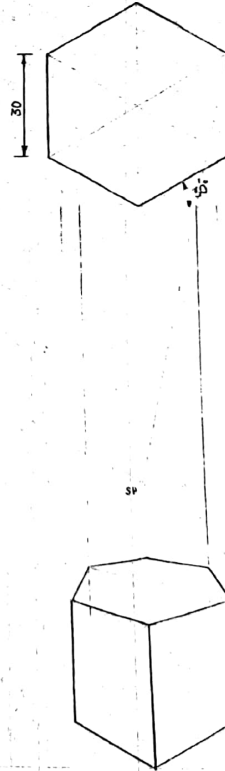


FIGURE 4.

2024/12/06/016

Page 35

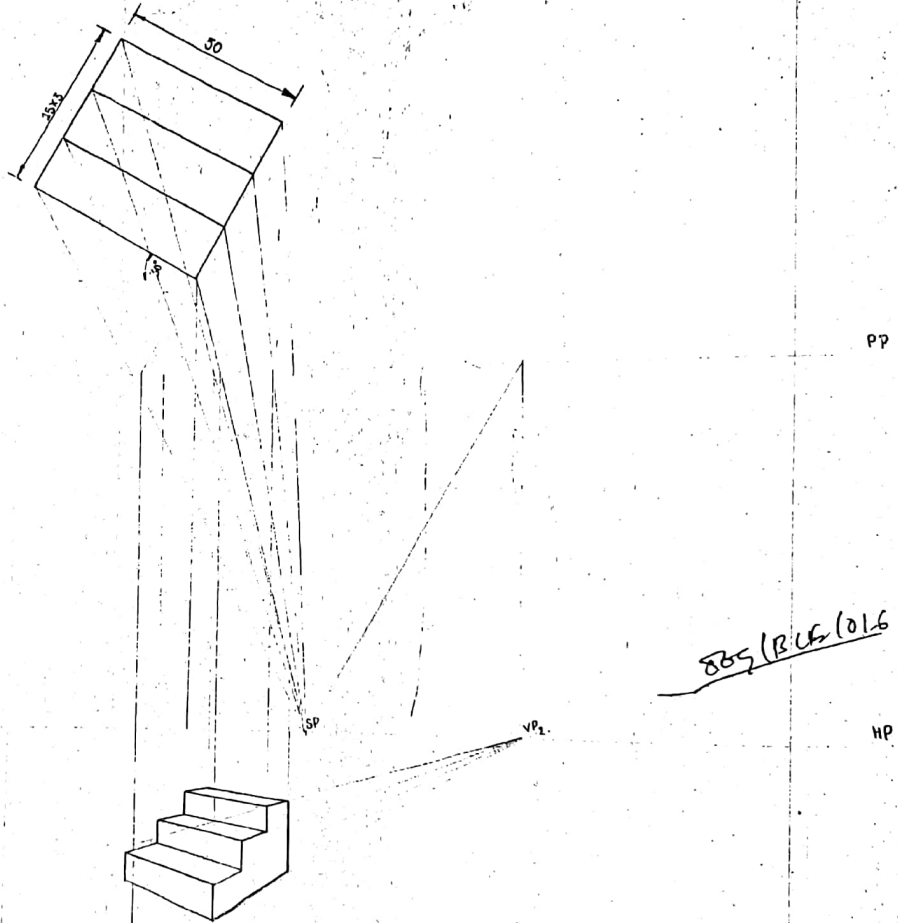


FIGURE 4.7

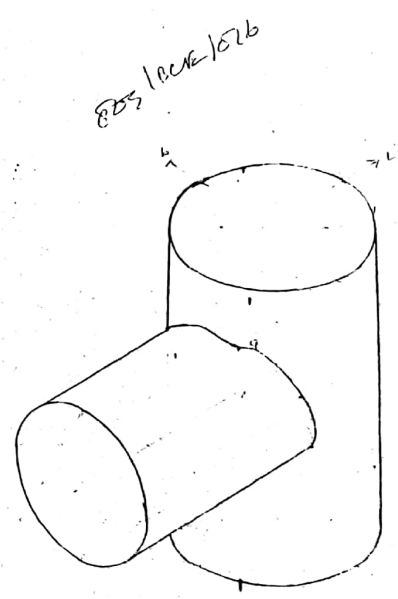
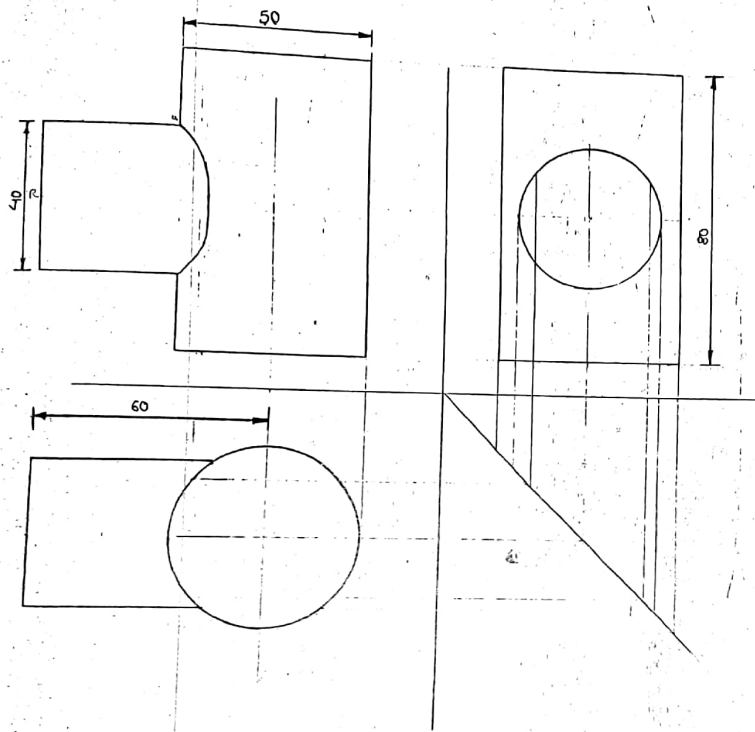
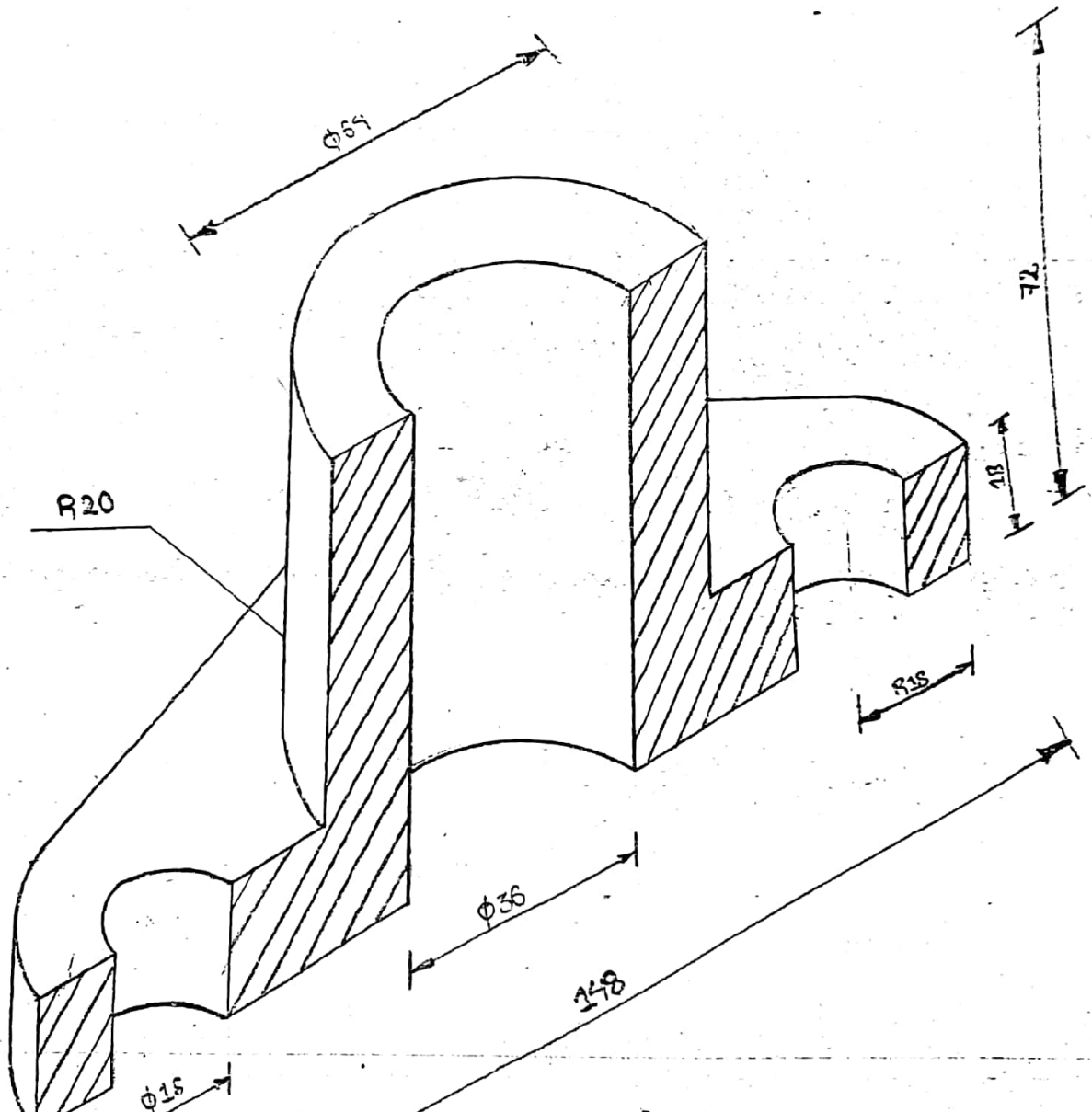


FIGURE T 4.11



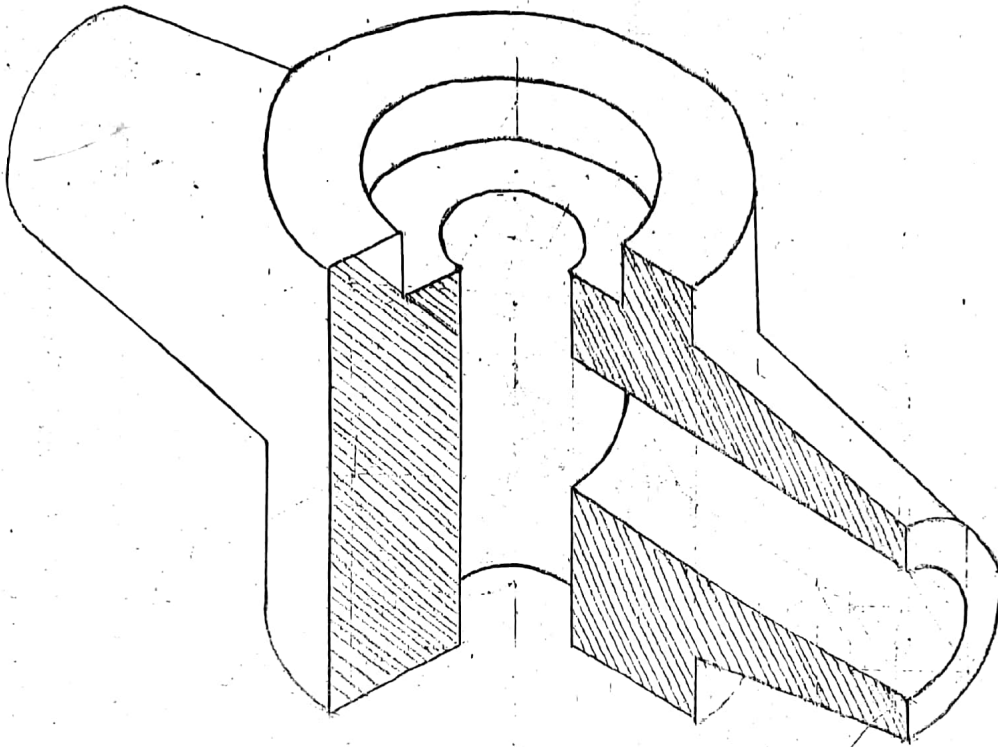


FIGURE: T 5.4

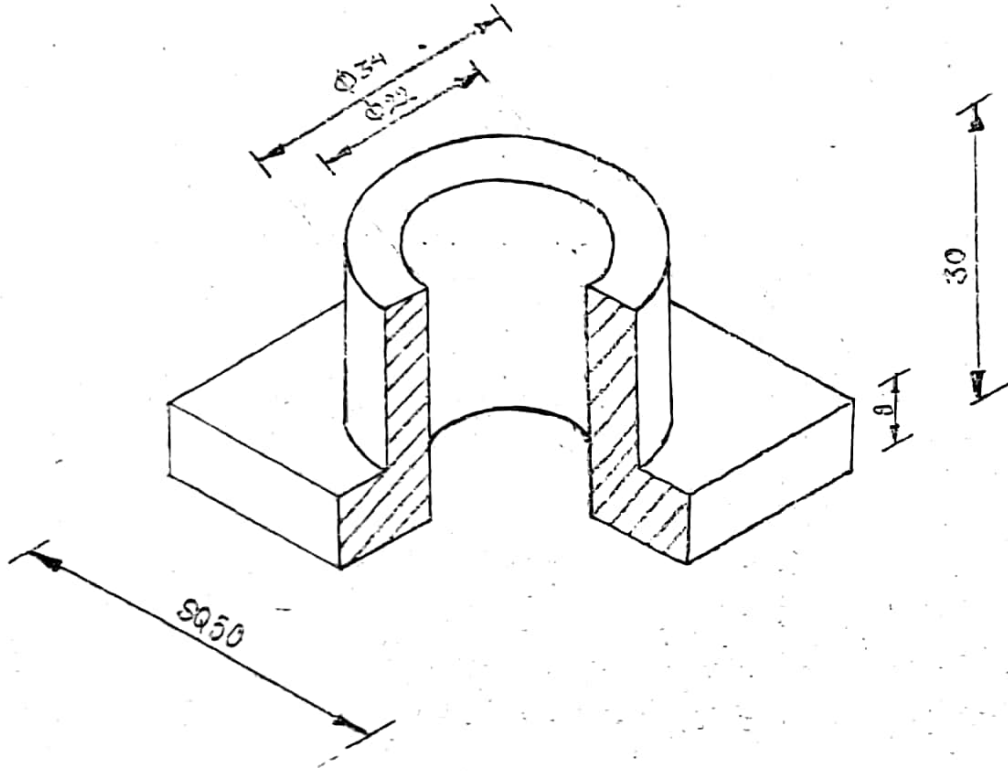


FIGURE 5.5

229/13012/016

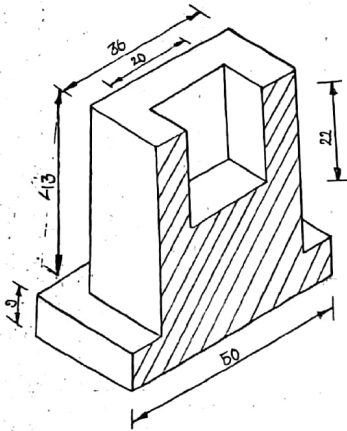


FIGURE T.5.4

85/12/22/576

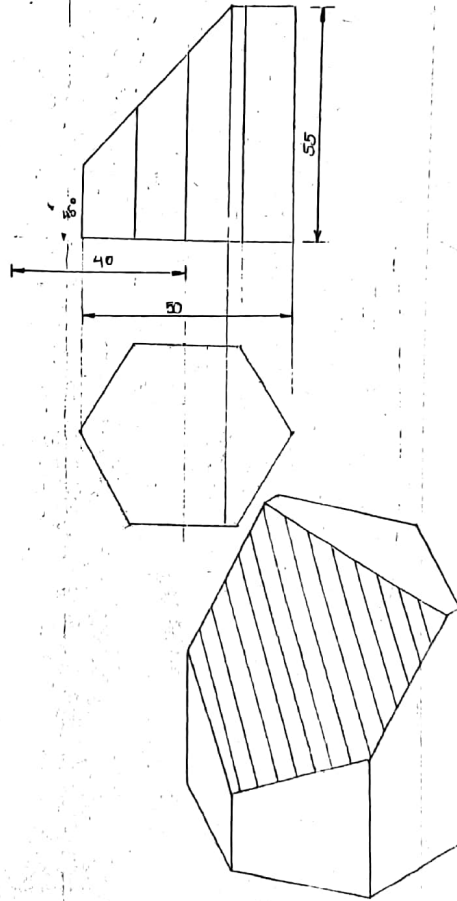
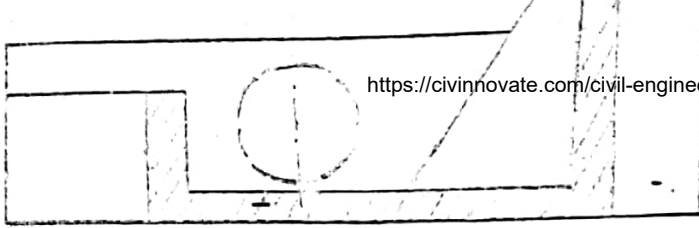


FIGURE T.5.6



FULL SECTION FRONT VIEW

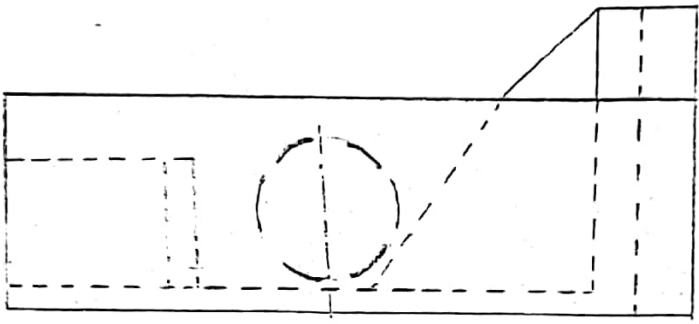
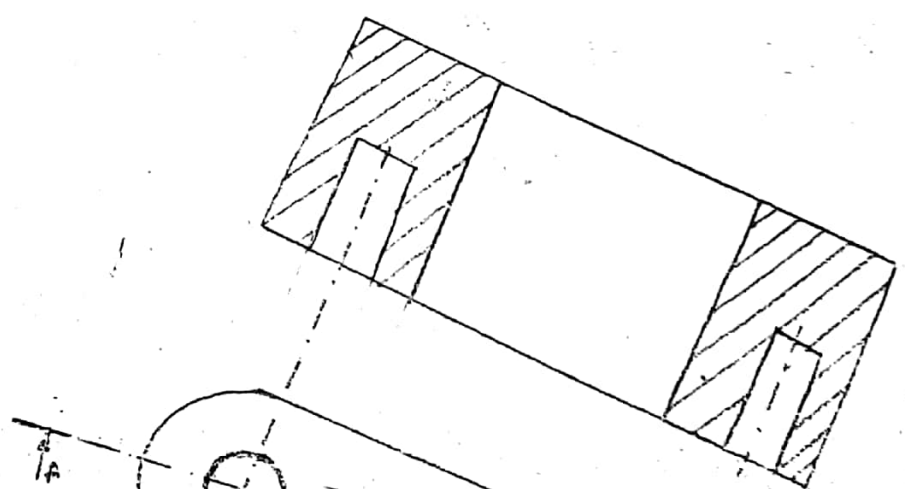


FIGURE 6.1



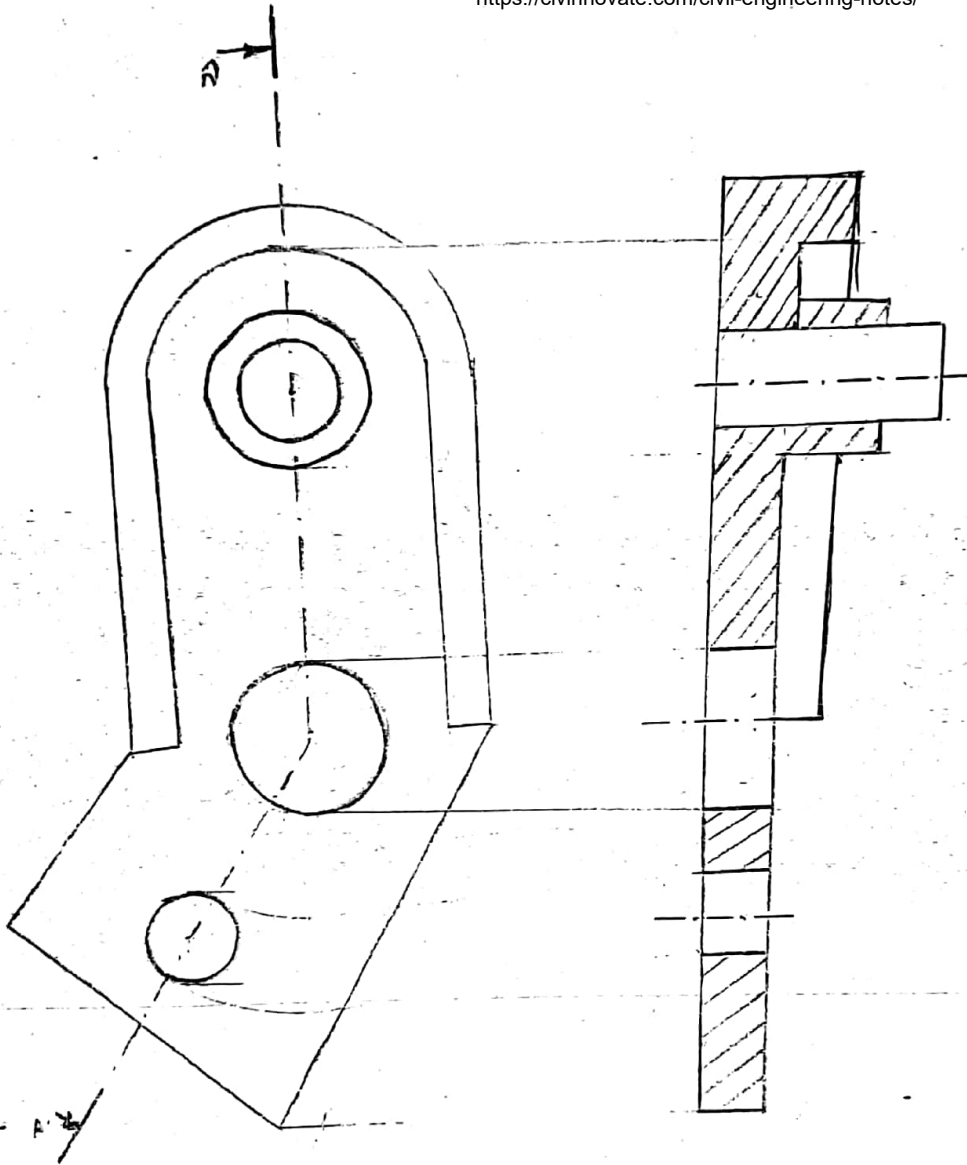


FIGURE T6.5

06/10/2015

NAME	ASADU	DATE
ROLL NO	100100101	
CLASS	MECHANICAL	

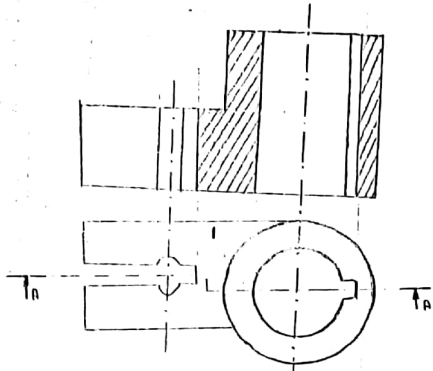


FIGURE T6.4

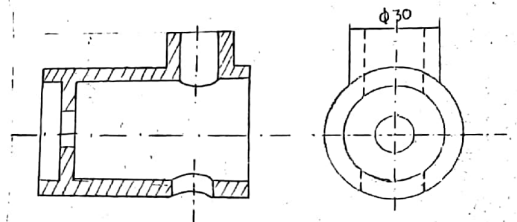


FIGURE T6.6

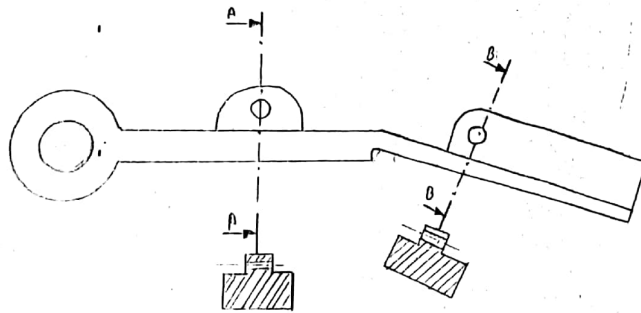
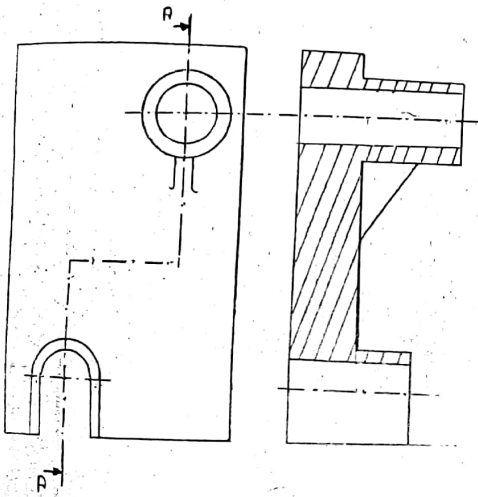


FIGURE T6.5

089/BC6/012

EXTRA



(2068 POUSSH)

FIGURE:- A

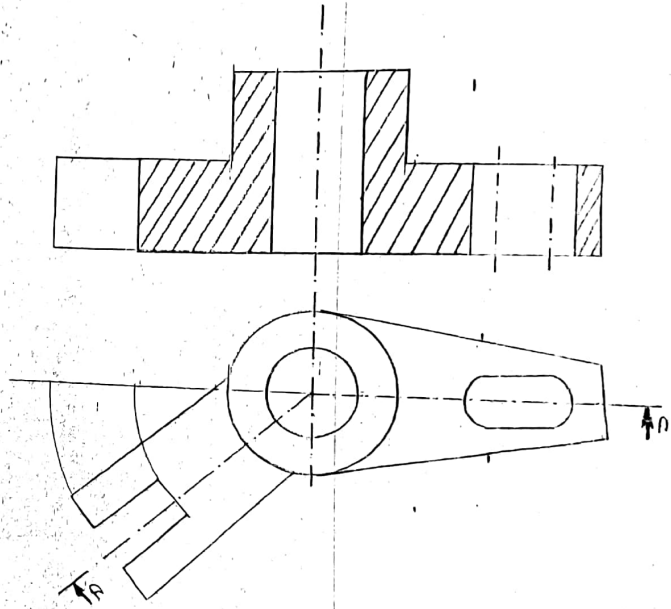


FIGURE:- B

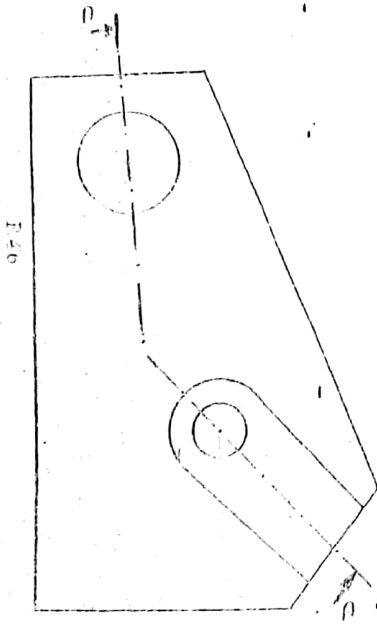


FIGURE : G

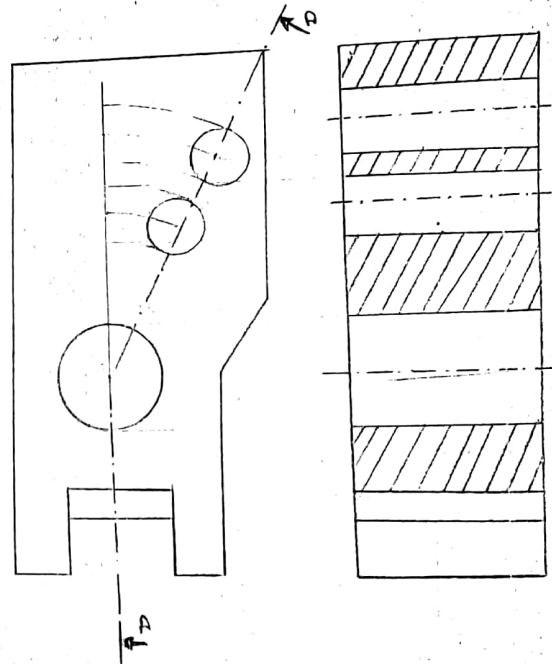
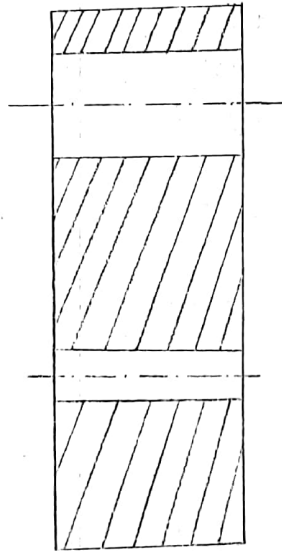
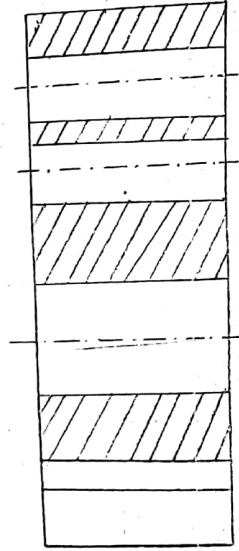


FIGURE : D



a) 50 H8/d9

Hole

Lower Limit: $50 + f_{LH} = 50 + 0 = 50 \text{ mm}$

Upper Limit: $50 + f_{UH} + IT$
 $= 50 + 0 + 0.039 = 50.039 \text{ mm}$

Shaft

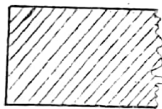
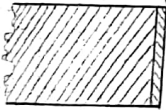
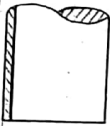
Upper Limit: $50 + 0.08 = 49.92 \text{ mm}$

Lower Limit: $50 - 0.02 - 0.062 = 49.858 \text{ mm}$

System: Hole basis system

Type: Clearance fit

Allowance: L.L of holes - U.L of shaft
 $= 50 - 49.92 = 0.08 \text{ mm}$



b) 100 H7/s6

Hole

Lower Limit: $100 + f_{LH} = 100 + 0 = 100 \text{ mm}$

Upper Limit: $100 + f_{UH} + IT$
 $= 100 + 0 + 0.035 = 100.035 \text{ mm}$

Shaft

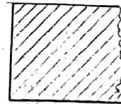
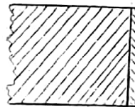
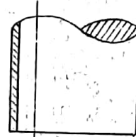
Lower Limit: $100 + f_{LS} = 100 + 0.071 = 100.071 \text{ mm}$

Upper Limit: $100 + f_{US} + IT$
 $= 100 + 0.021 + 0.022 = 100.093 \text{ mm}$

System: Hole basis system

Type: Interference fit

Allowance: U.L of holes - L.L of shaft
 $= 100.035 - 100.071 = -0.036 \text{ mm}$



c) 60 S6/h9

Hole

Upper Limit: $60 + 0.042 = 59.958 \text{ mm}$

Lower Limit: $60 - 0.048 - 0.019 = 59.933 \text{ mm}$

Shaft

Upper Limit: $60 - 0 = 60 \text{ mm}$

Lower Limit: $60 - 0 - 0.3 = 59.7 \text{ mm}$

System: Shaft basis system

Type: Transition fit

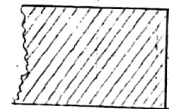
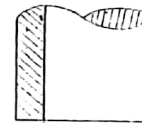
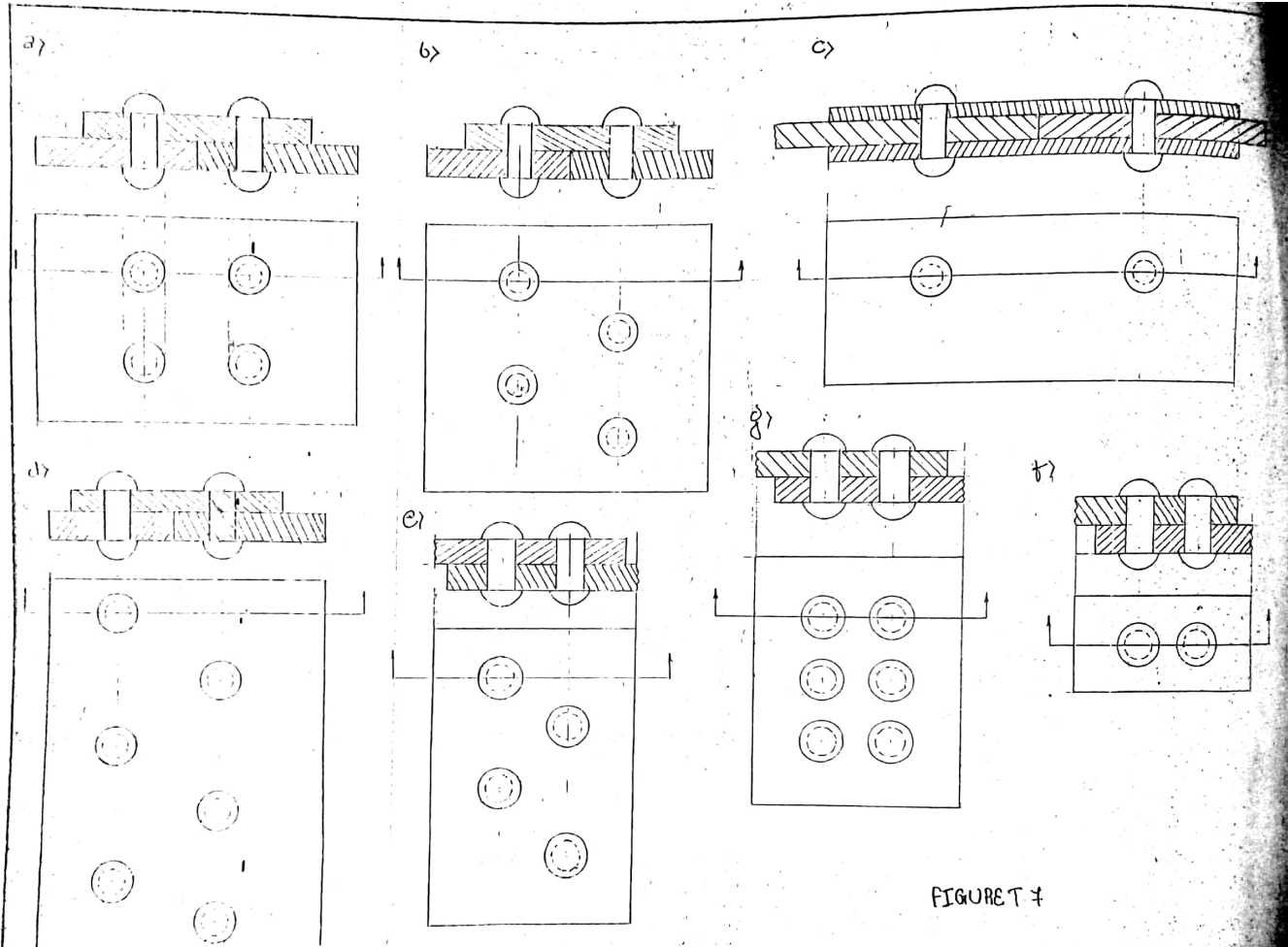


FIGURE T.7



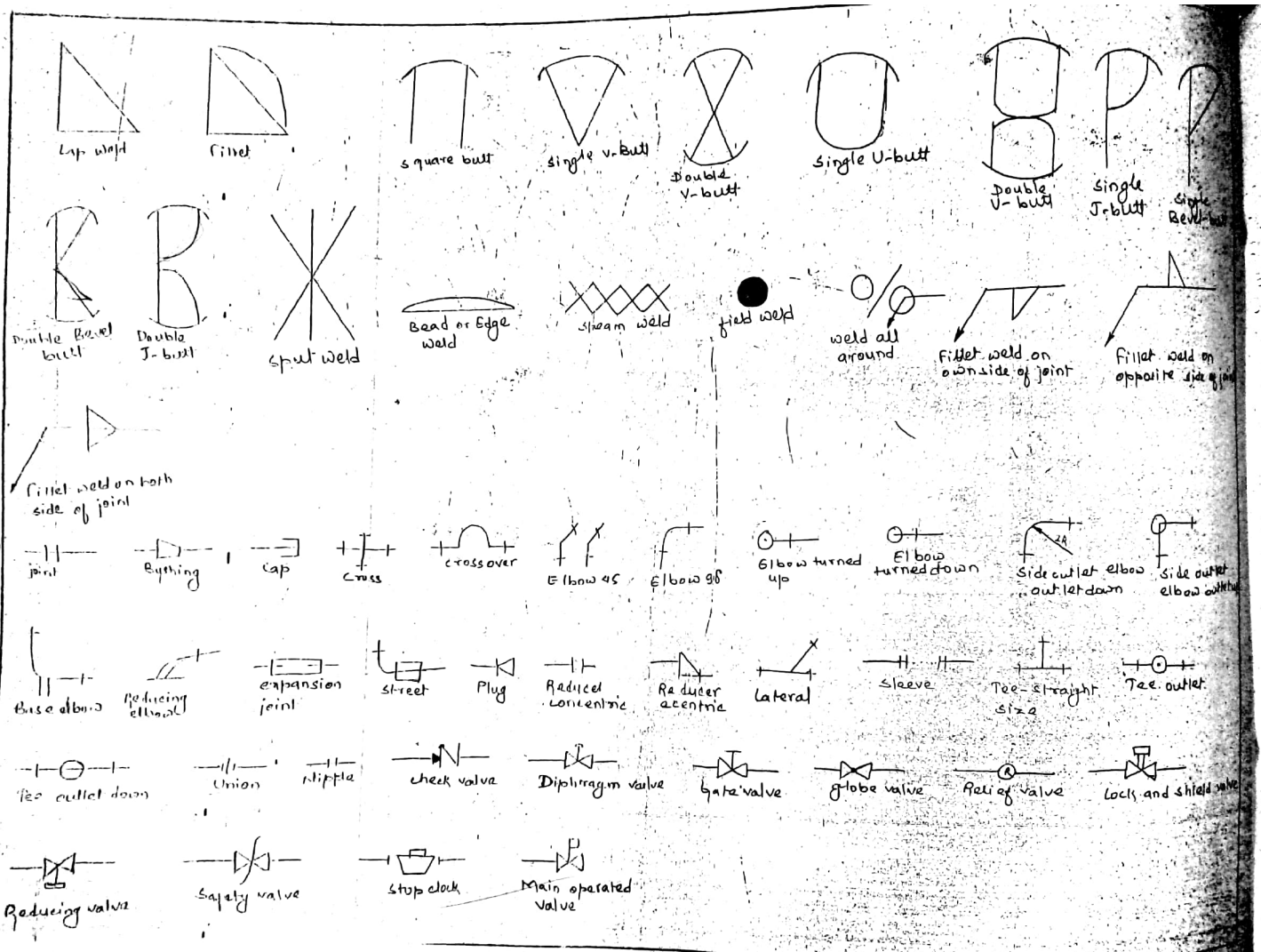
P. 48

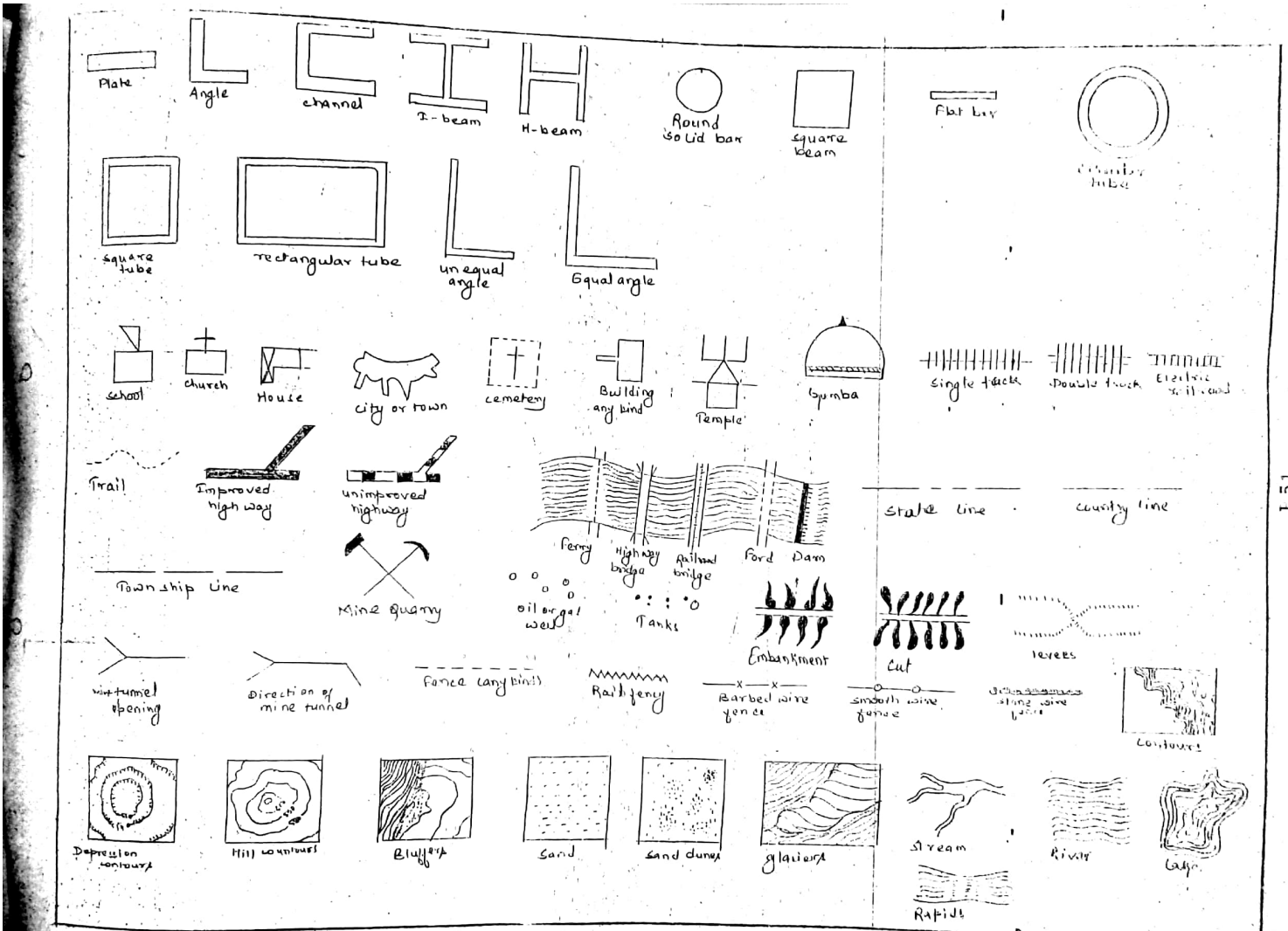
FIGURE 7

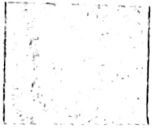
Dr. S. S. S. S.



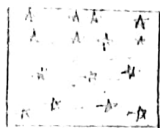
SYMBOLS



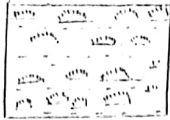




Tidal swamp



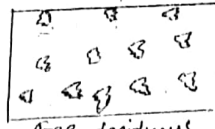
Gypcrete swamp



Fresh water swamp



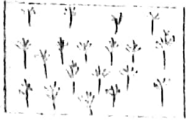
Salt-water swamp



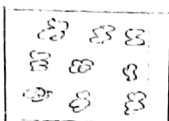
Tree deciduous



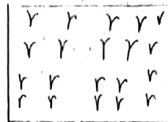
Tree coniferous



Willows



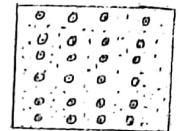
Orchard



Corn



Meadow



Cotton

An assembly drawing is a drawing of a machine or machine of system with all of its components located and identified.

Disassembly Drawing: Drawing different parts of machine.

How to draw a bolt?

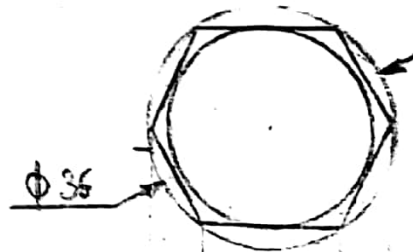
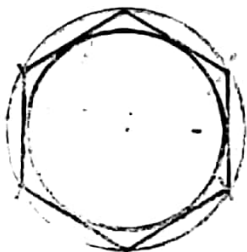
of M₂₀

Then

Example:

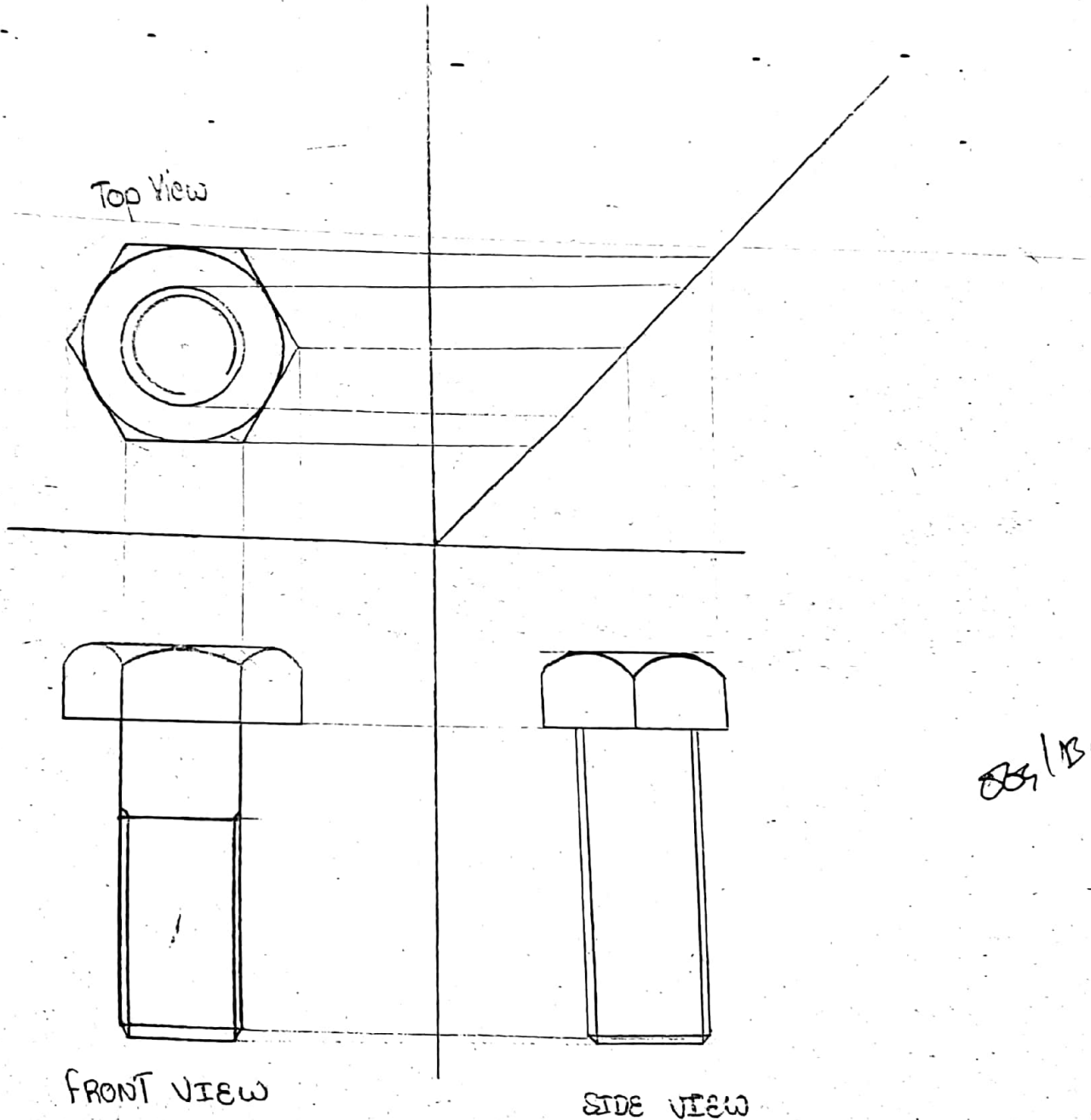
$$\text{Diameter} = 20 \times 1.5 + 6 = 36$$

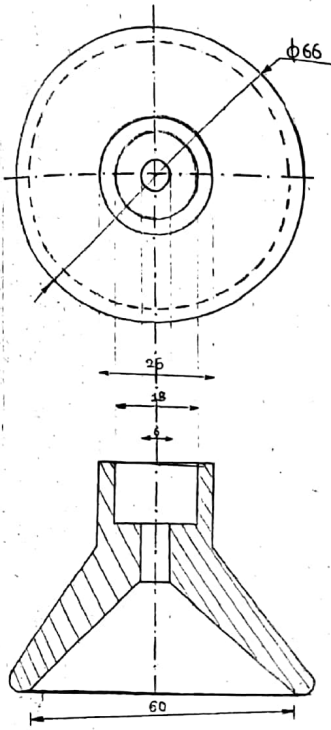
- ① With the diameter draw a circle
- ② Then draw a hexagon inside the circle.
- ③ Then draw a circle as shown in figure. (2)
- ④ Draw 45°/30° angle from each point as shown below.
- ⑤ Then draw a arc from the point of intersection of 45° with radius CP or CR or CS as shown below.



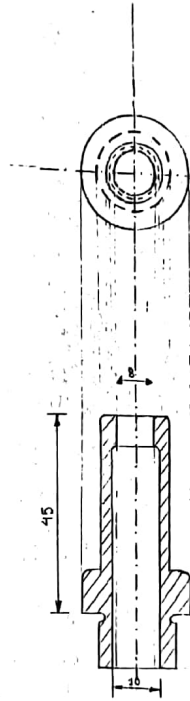
BOLT

<https://civinnovate.com/civil-engineering-notes/>

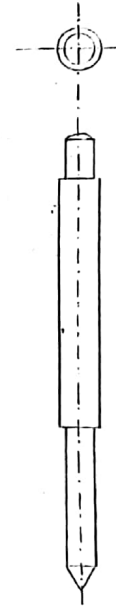




Part 1



Part 3



Part 2

MS/BC/1016

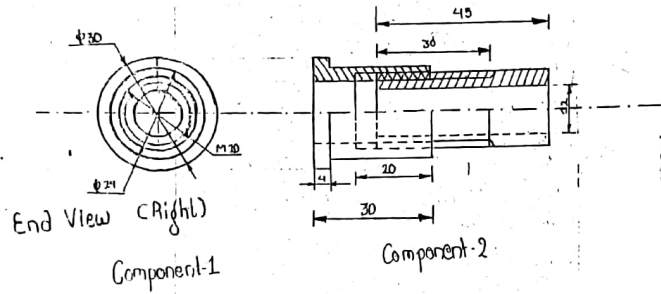
Part list

FIGURE T8.2

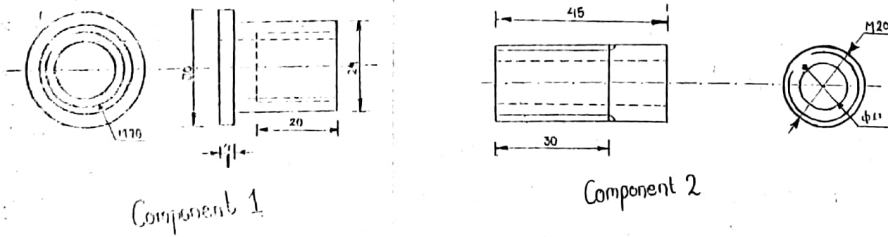
Part no	Name of Part	Qty	Material
3	Guide	1	MS
2	Centering Pin	1	MS
1	Centering Cone	1	MS

COLLAR HEAD COUPLING

TUTORIAL-9



2	Component 2	MS	1
1	Component 1	MS	1
Part no	Name of Parts	Material	No. of



89 / BCG / 06

Part list

2	Component 2	MS	1
1	Component 1	MS	1
Part no	Name of Part	Material	No. of

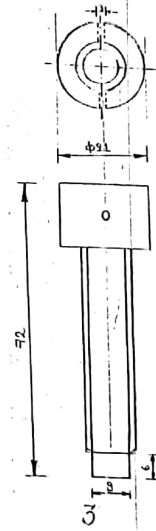
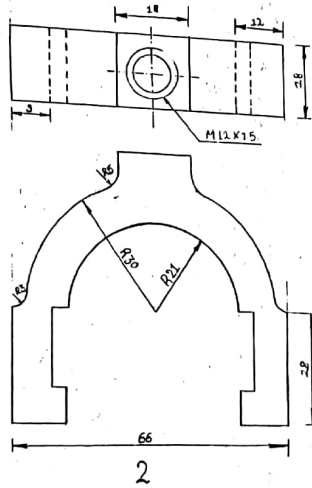
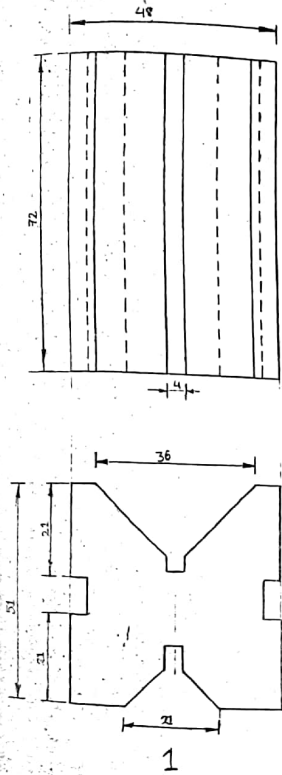


FIGURE T9.2

DEA/ECE/ALG

SCREW END
Φ8 x 6 TORX

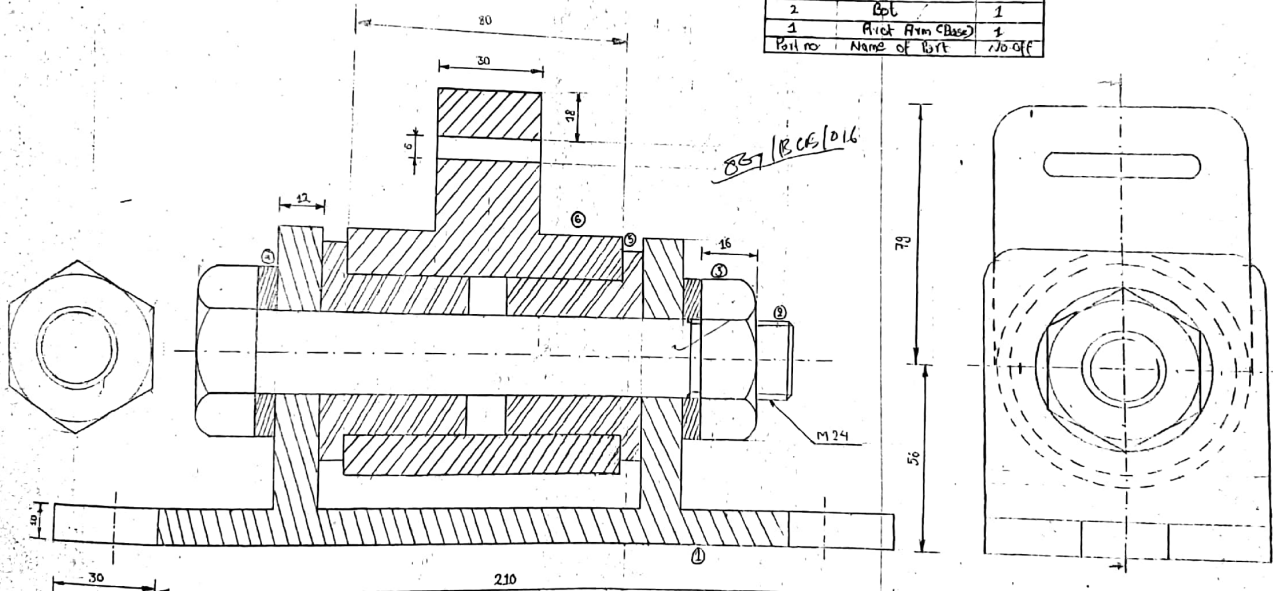
Part no	Name of Part	Material	Qty
3	ROUND HEAD BOLT	MS	1
2	SLIDER CLAMP	MS	1
1	V-BLOCK	MS	1

Part List

Parallel

6	Pivot arm	1
5	Wash	2
4	Washer	2
3	Nut	1
2	Bolt	1
1	Pivot Arm Base	1
Part no		No of

BS7/BCE/016



ANTI VIBRATION MOUNT

FIGURE T11.1

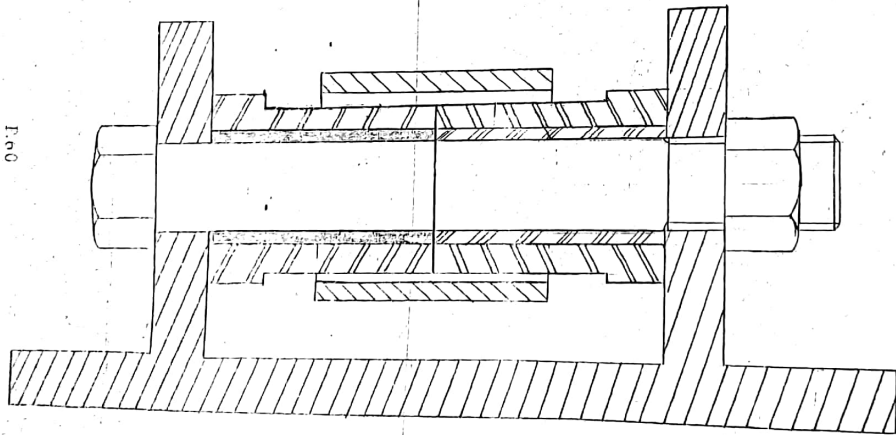
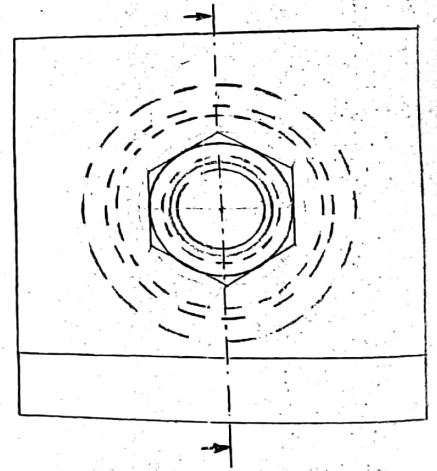


FIG 11

FIGURE T11



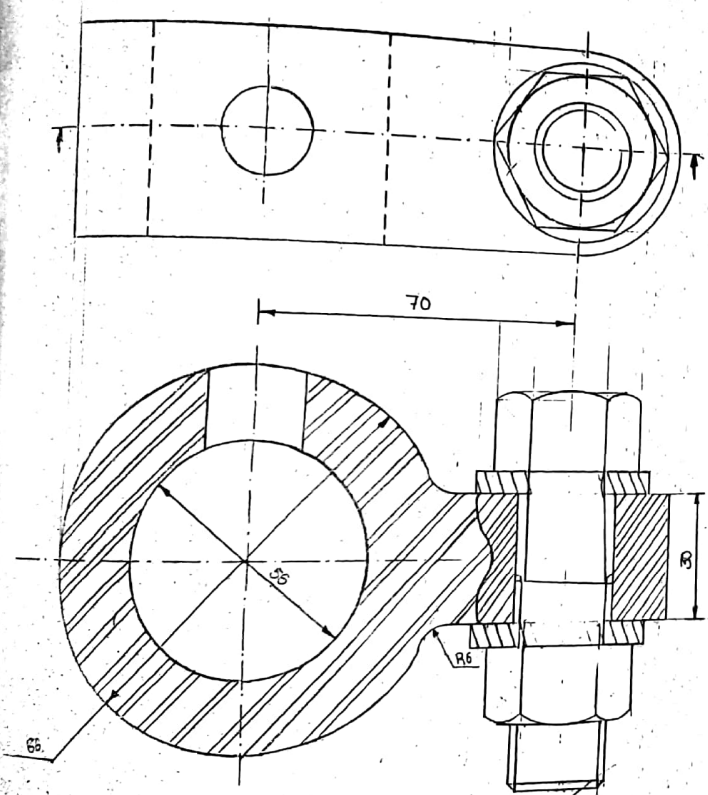


FIGURE T11.2a

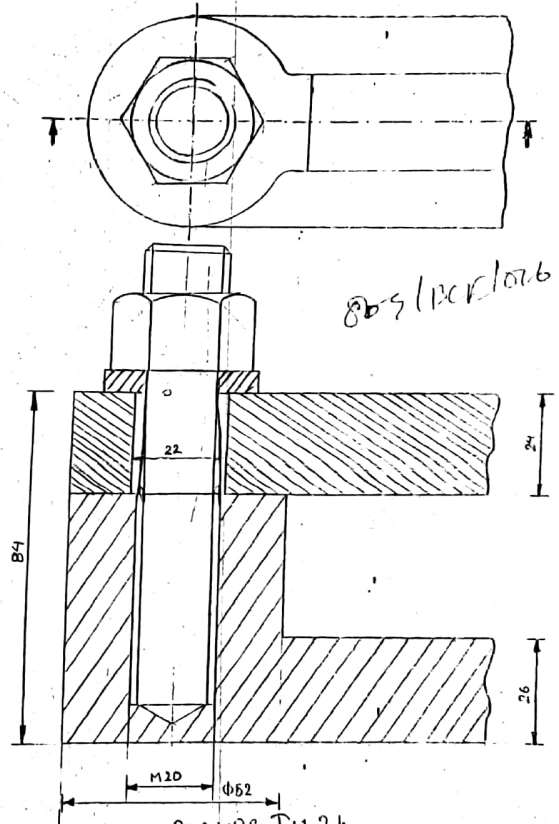
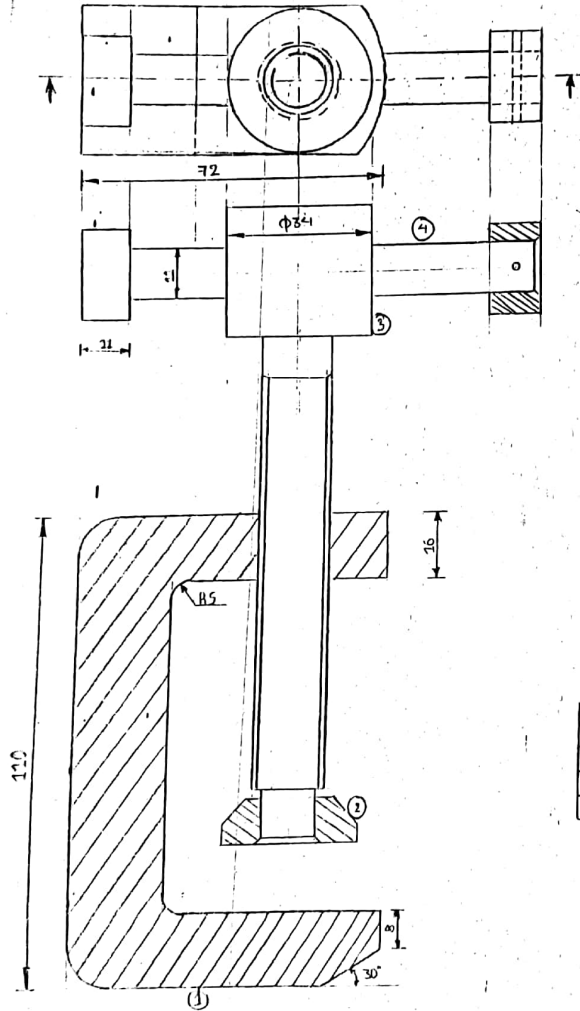


FIGURE T11.2b

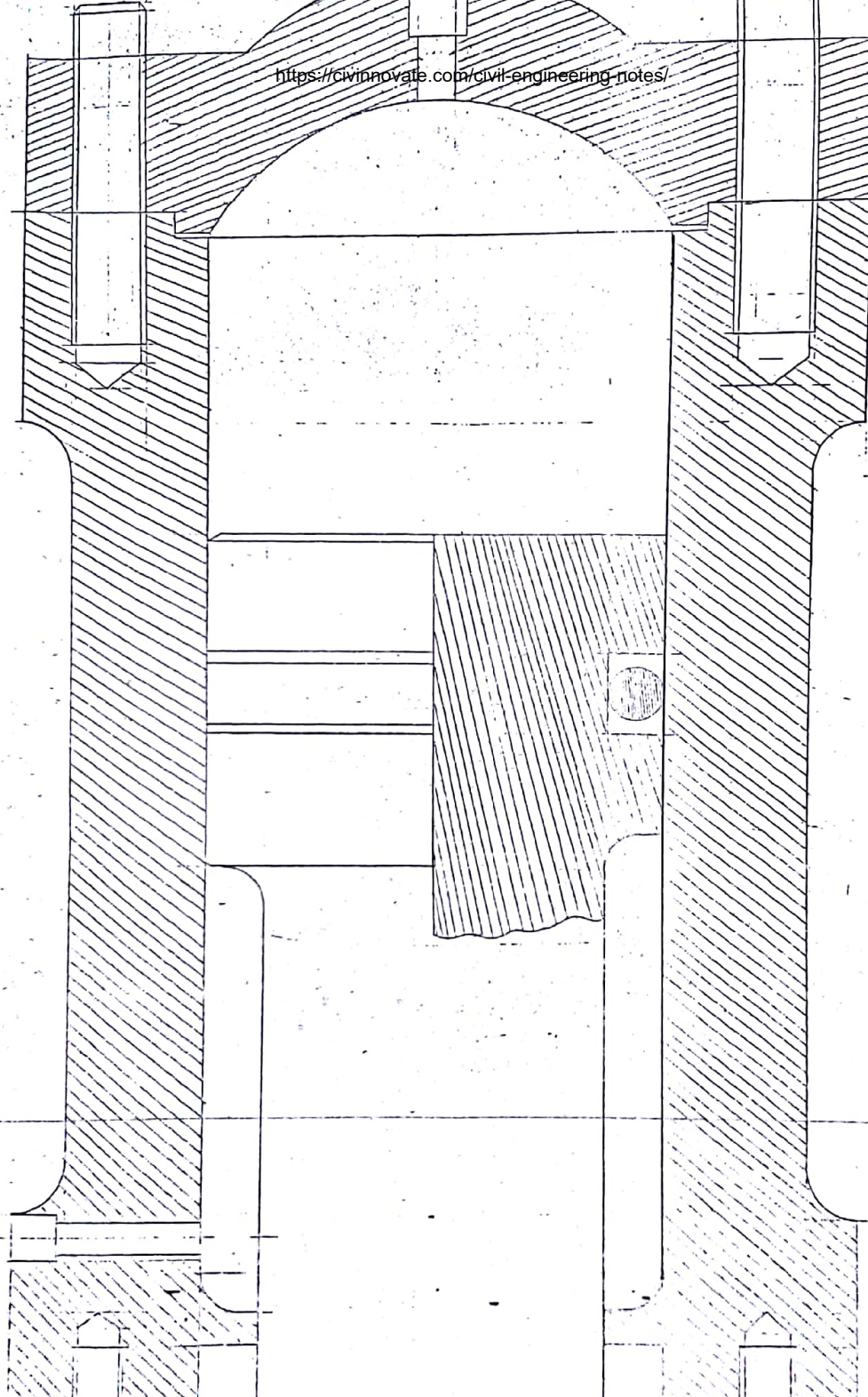
P.62



869/134/016

Part list

4	HANDLE	1
3	SCREWS	1
2	SCREW BASE	1
1	BODY	1
Part no	Name of Part	No. off



QUESTION BANK

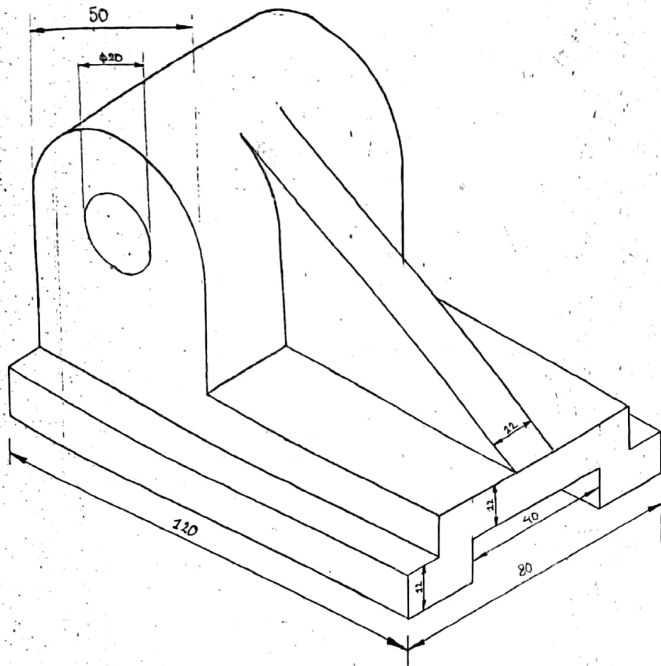


FIGURE Q.No.1 2069 Bhadra

27/11/2026

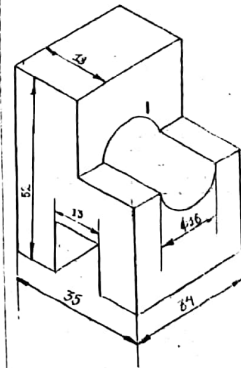


FIGURE Q.No.1 2068 Bhadra

P.66

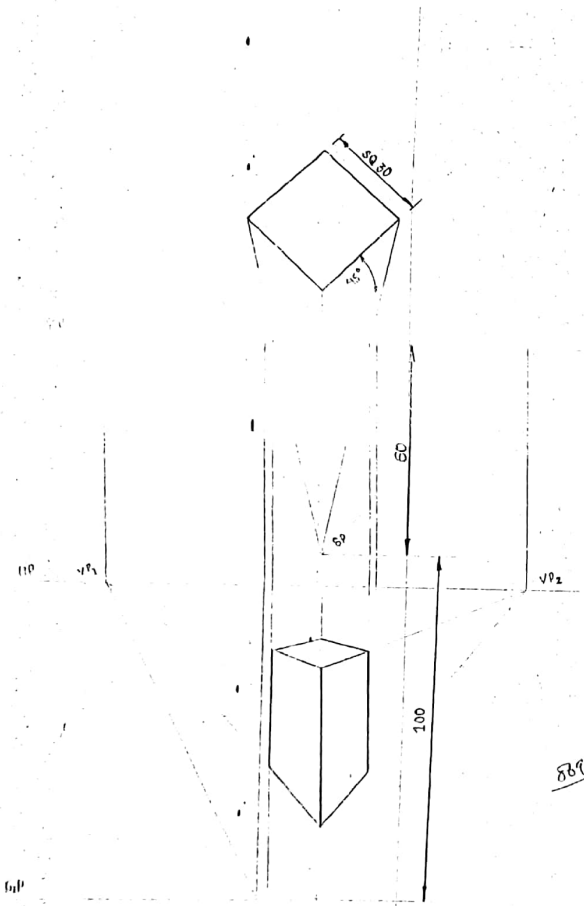


FIGURE Q.No.2 2069 Bhadva

889/22/6/1016

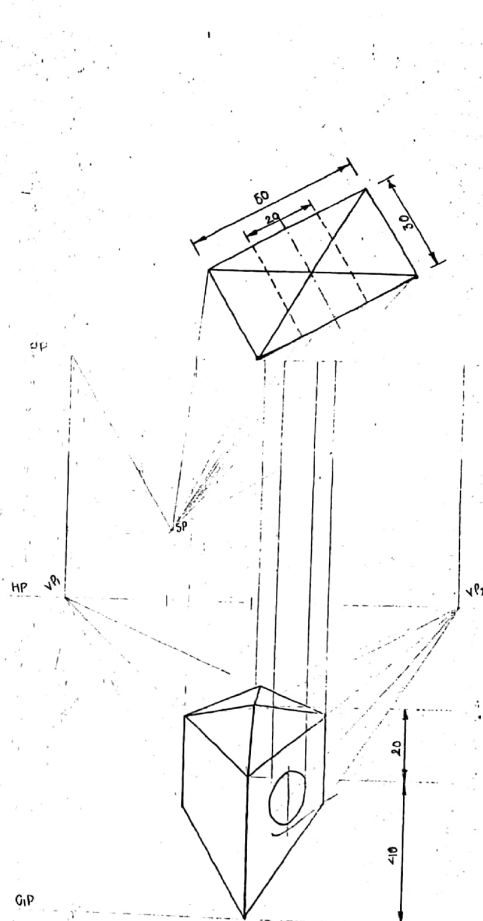
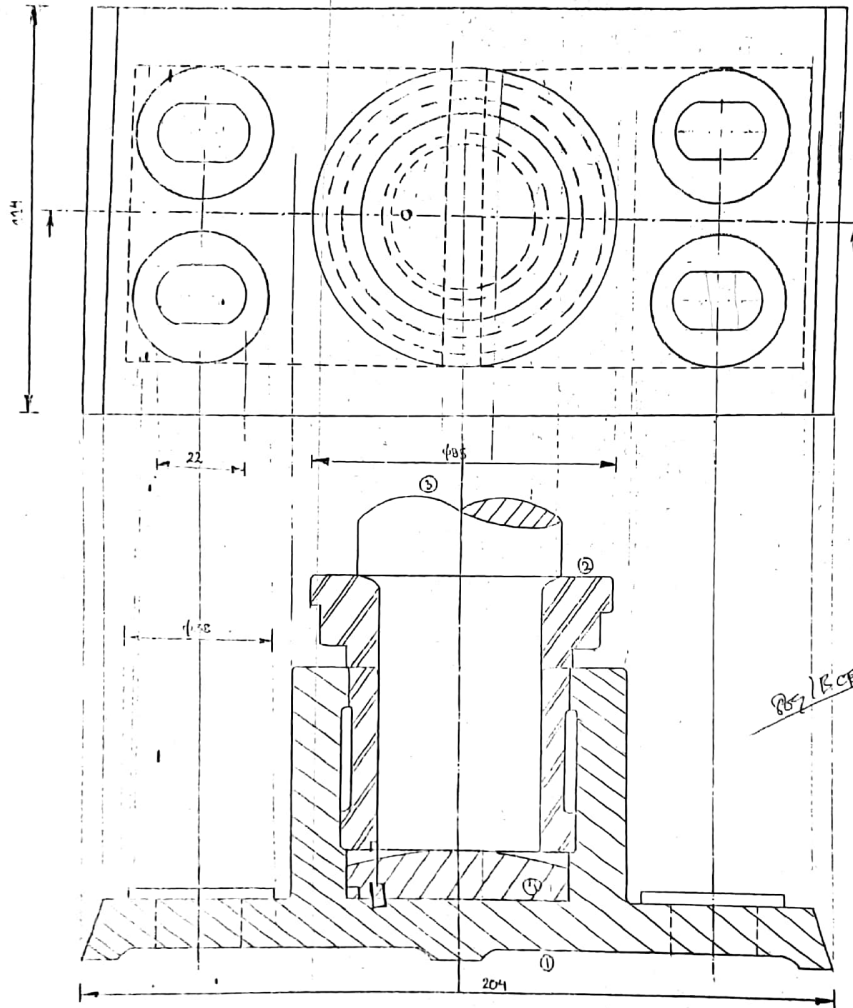


FIGURE Q.No.2 2068 Bhadva

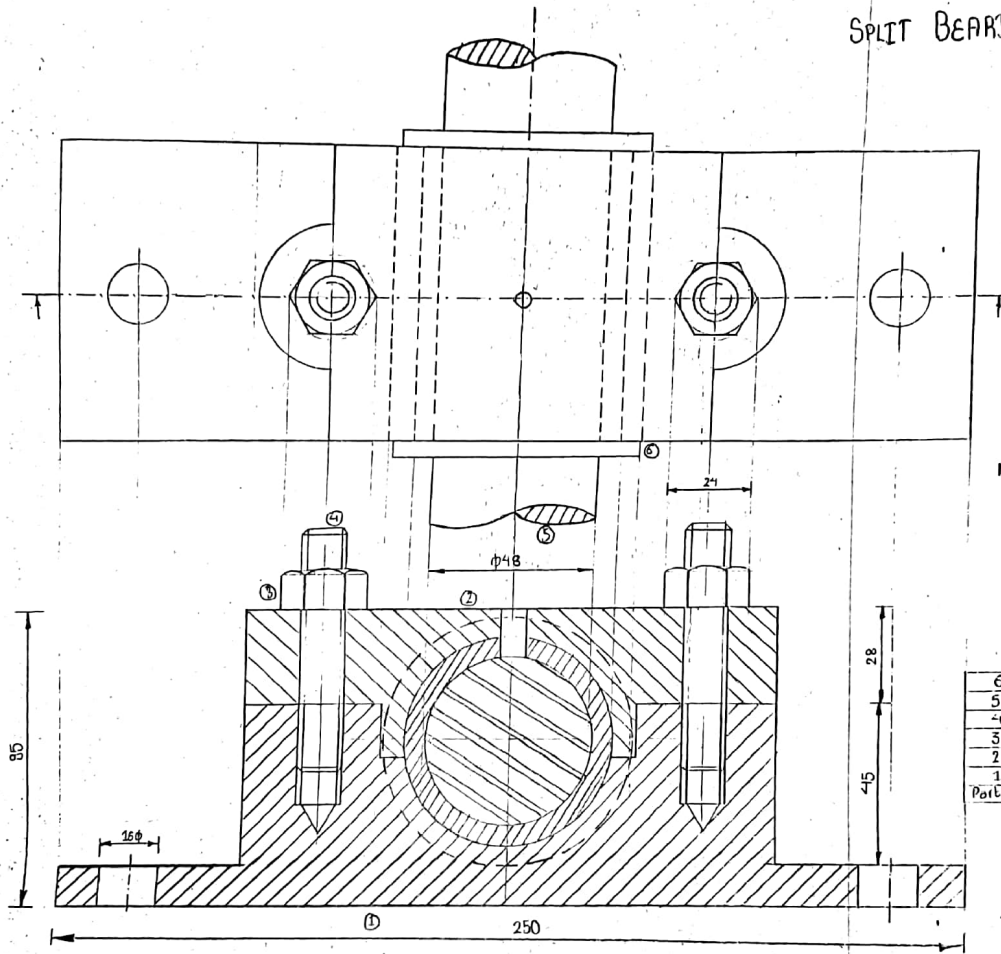


Part list

4	HALF CAVITY	1
3	SHAFT	1
2	BUSH	1
1	BODY	1
Part no	Name of Part	No of

FIGURE Q.N.O. 4 2069 Bhadra

SPLIT BEARING



08/12/2016

Part List

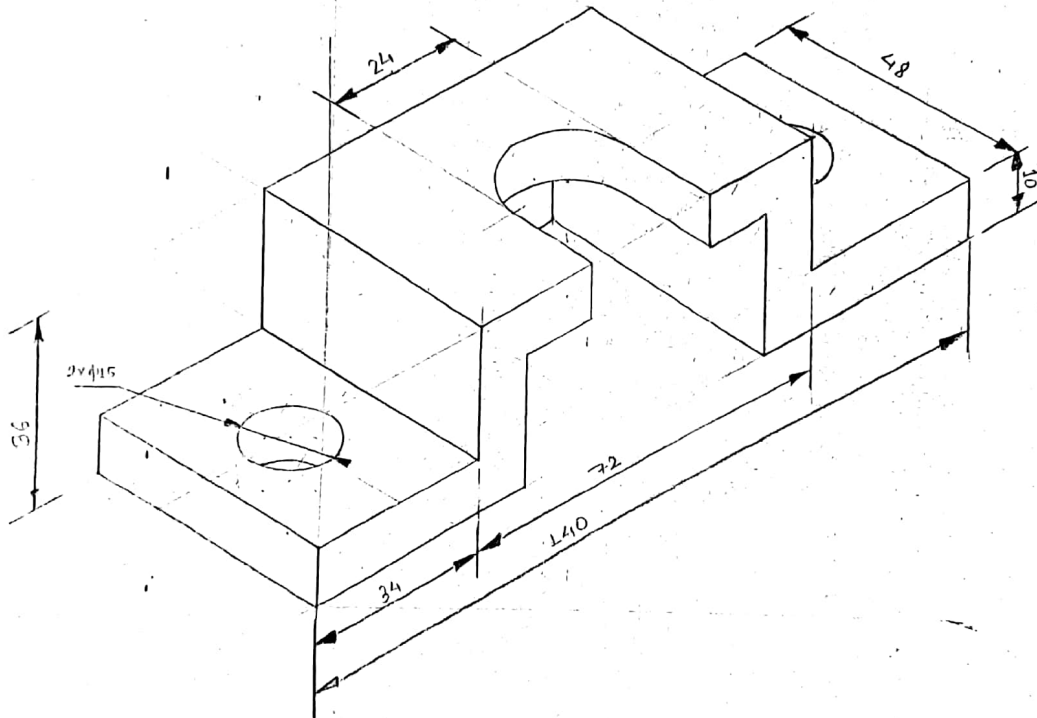
Part No	Name of Part	No of
6	BUSH	1
5	WASHER	1
4	STUD	2
3	STANDARD NUT	2
2	CAP	1
1	BASE	1
	Name of Part	No of

FIGURE 101
(2068 Bhadra)

Page-51

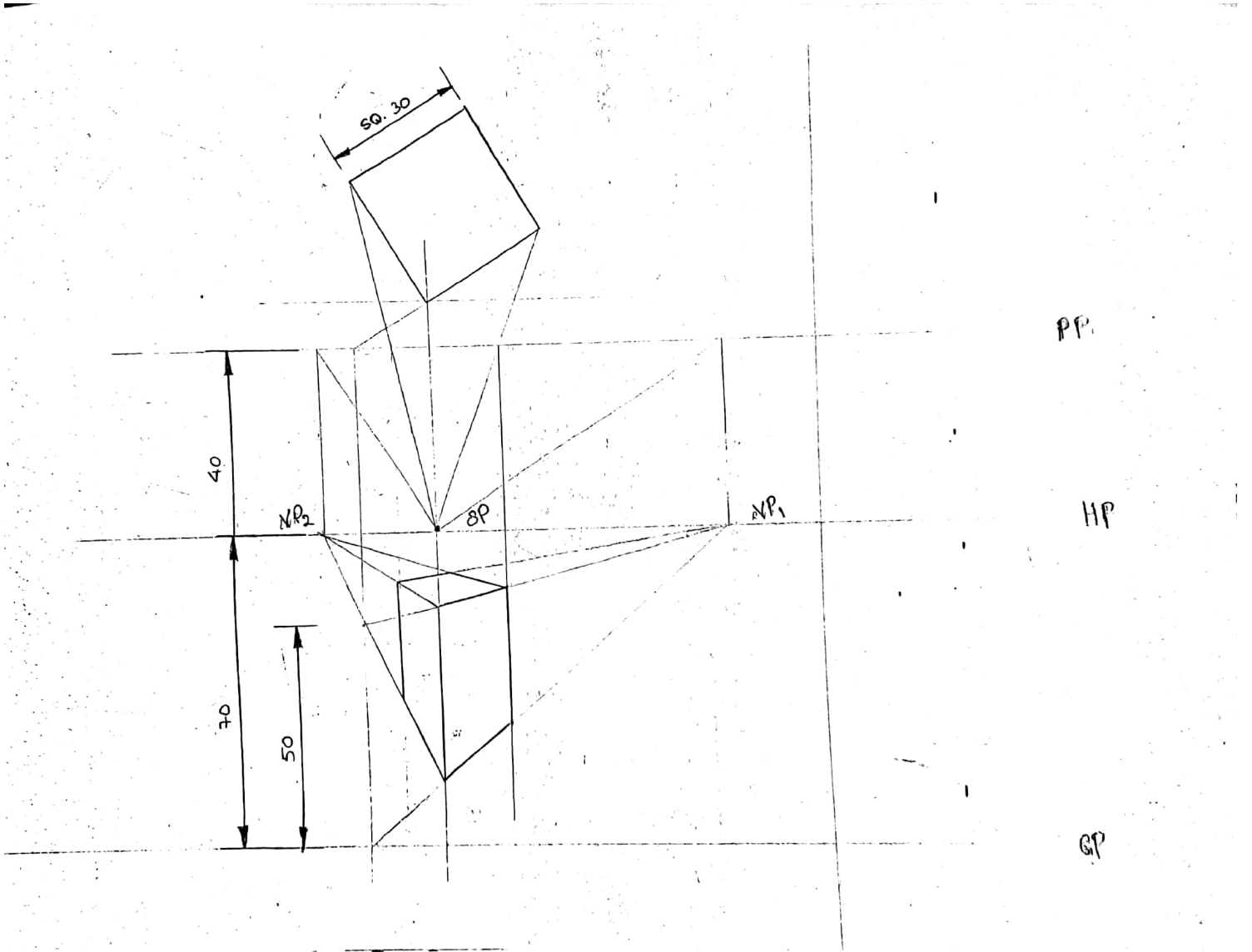
P. 09

IOE 2070 MAGH



P.70

Q.01





Civinnovate

Discover, Learn, and Innovate in Civil Engineering