



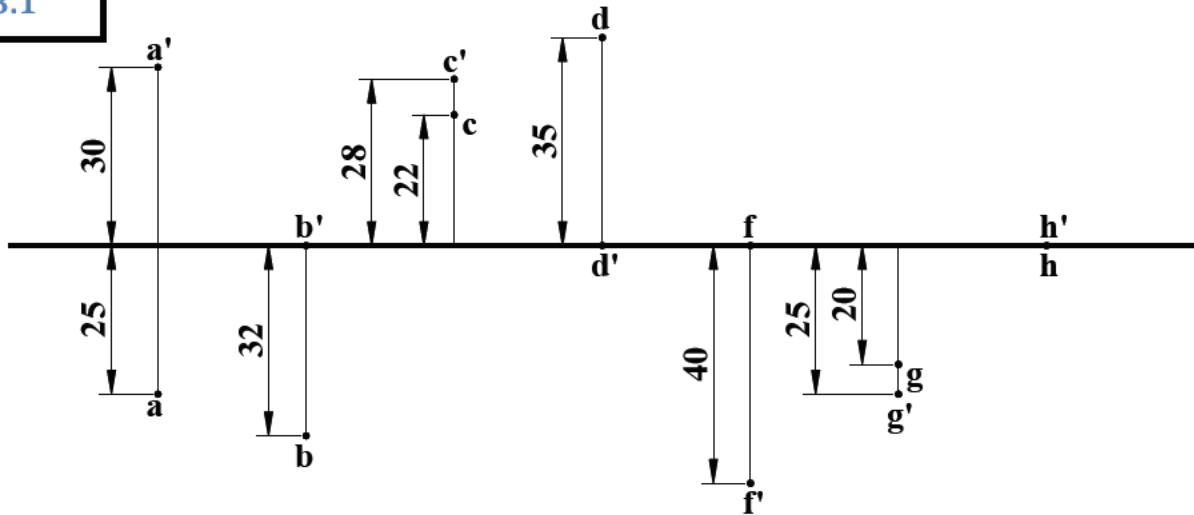
# Civinnovate

Discover, Learn, and Innovate in Civil Engineering

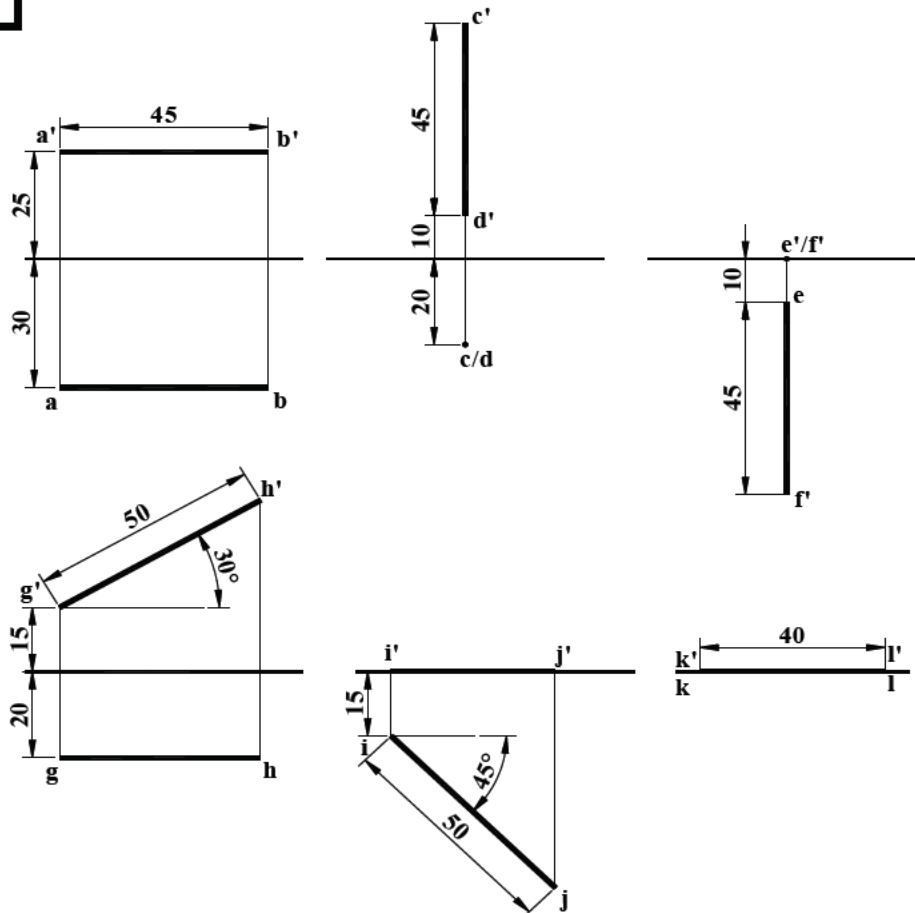
# ENGINEERING DRAWING I

## SOLUTION FOR TUTORIAL NO. 3

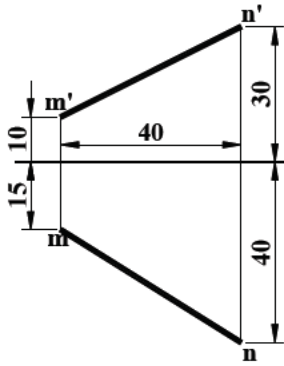
**T3.1**



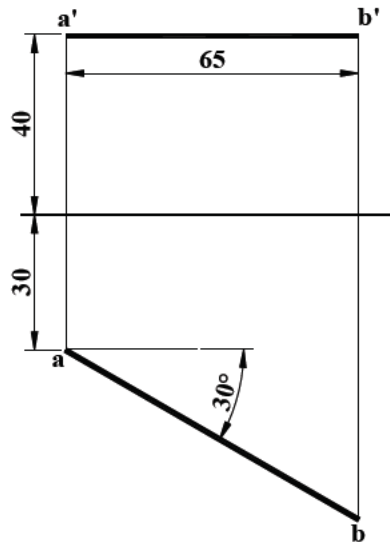
**T3.2**



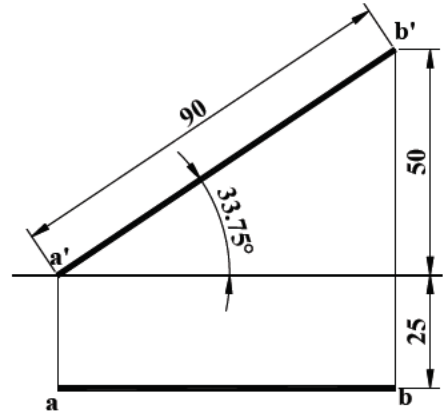
**Solution T3.3**



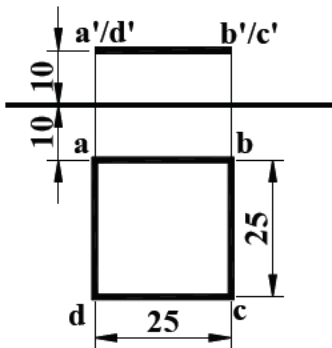
**Solution T3.4**



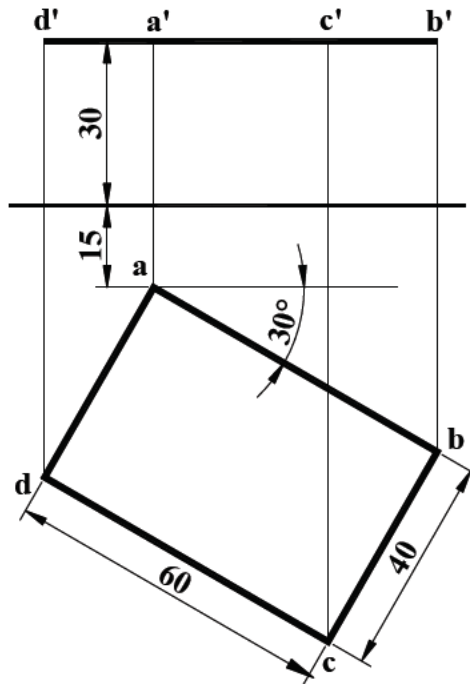
**Solution T3.5**



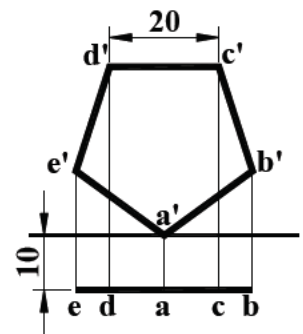
**Solution T3.6**



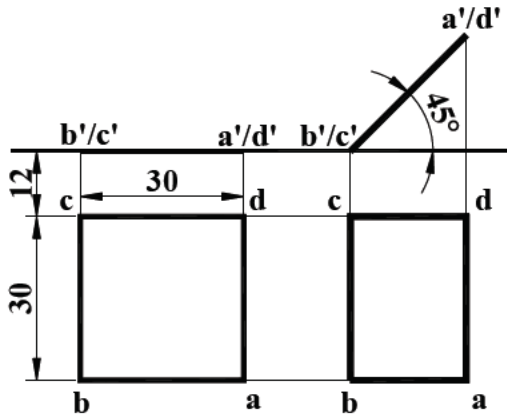
**Solution T3.7**



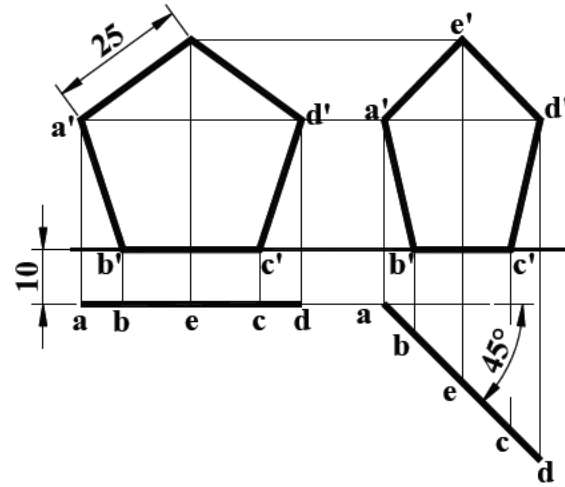
**Solution T3.8**



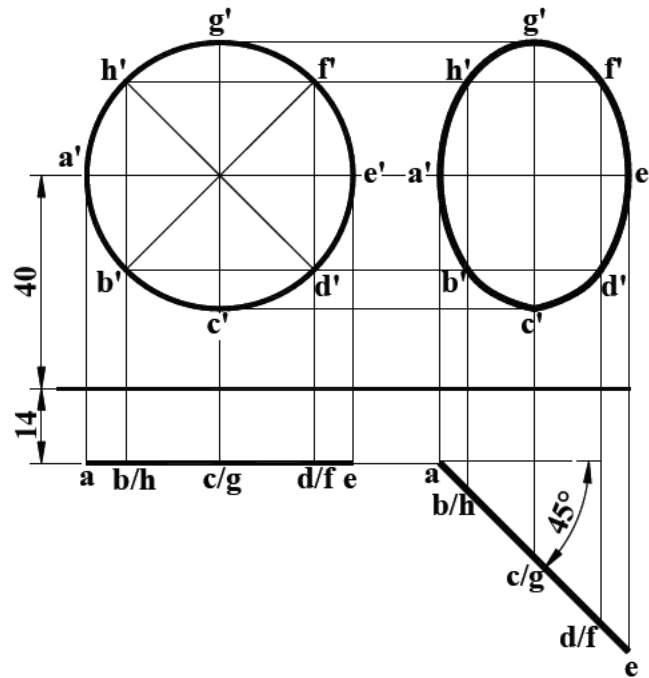
**Solution T3.9**



**Solution T3.10**

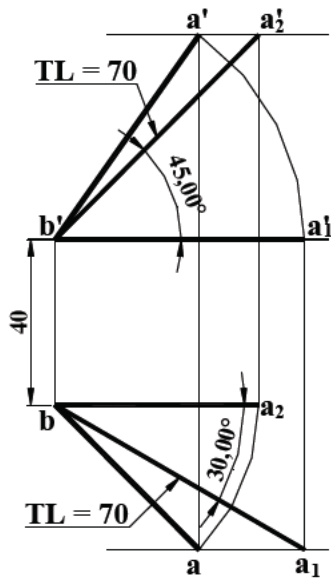


**Solution T3.11**

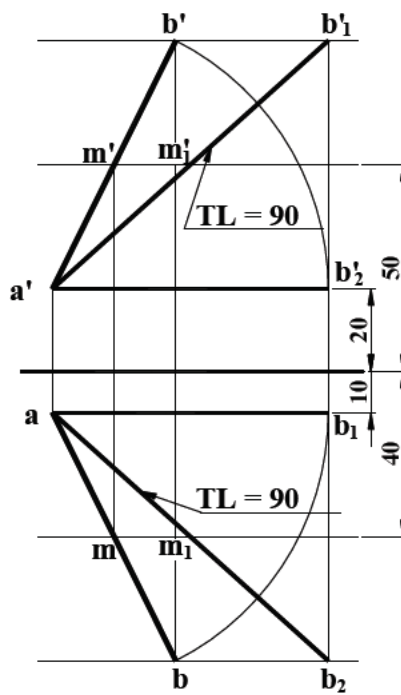


**ENGINEERING DRAWING I**  
**SOLUTION FOR TUTORIAL NO. 4**

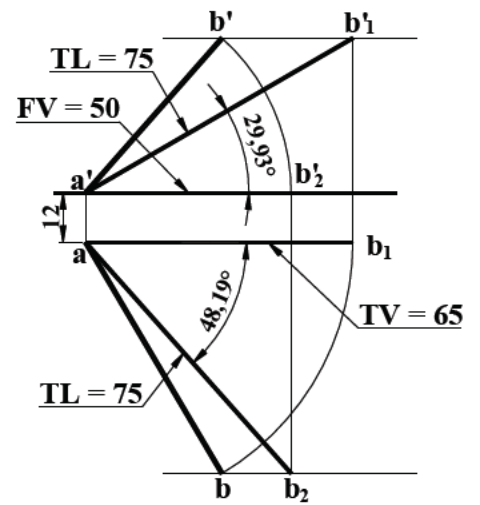
**Solution T4.1**



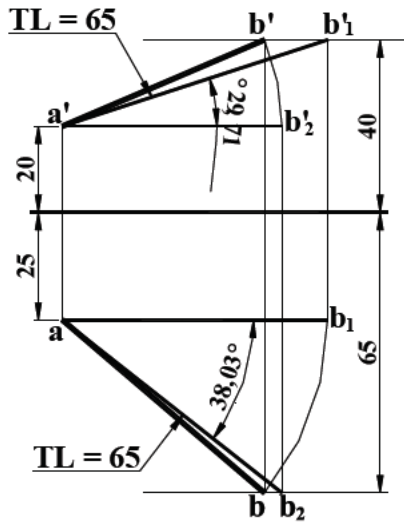
**Solution T4.2**



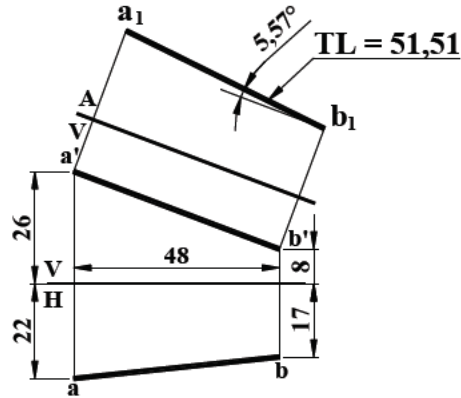
**Solution T4.3**



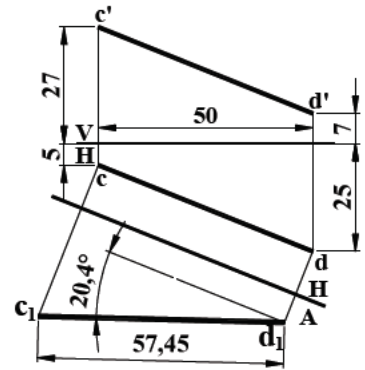
**Solution T4.4**



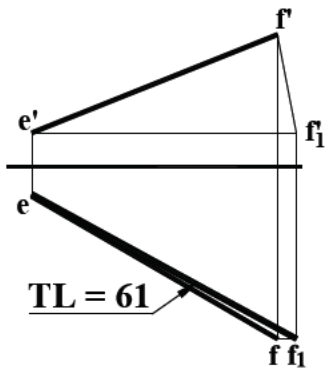
**Solution T4.5(a)**



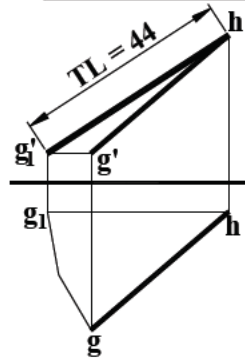
**Solution T4.5(b)**



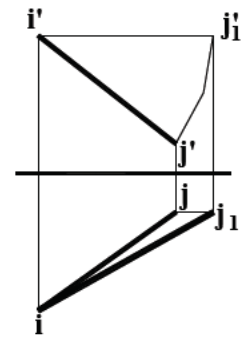
**Solution T4.6(a)**



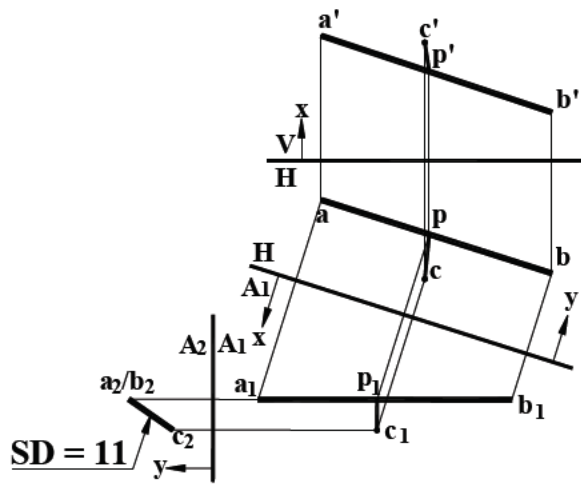
**Solution T4.6(b)**



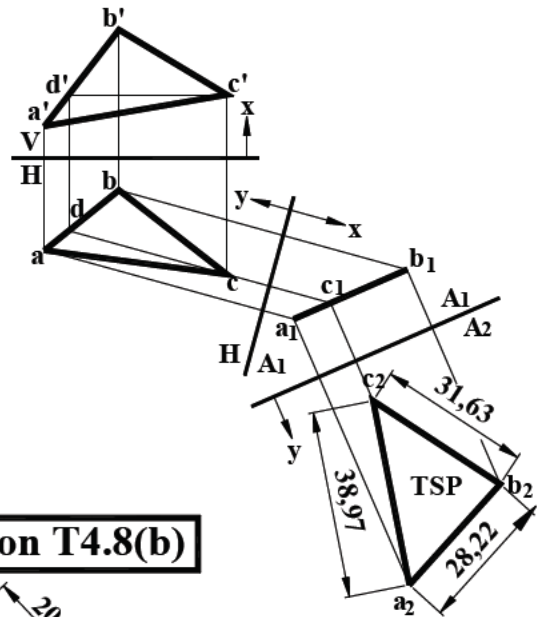
**Solution T4.6(c)**



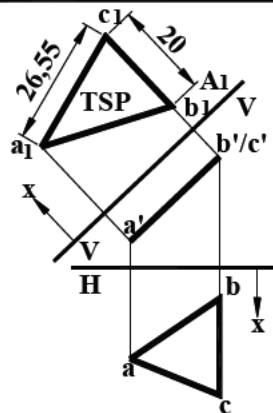
**Solution T4.7**



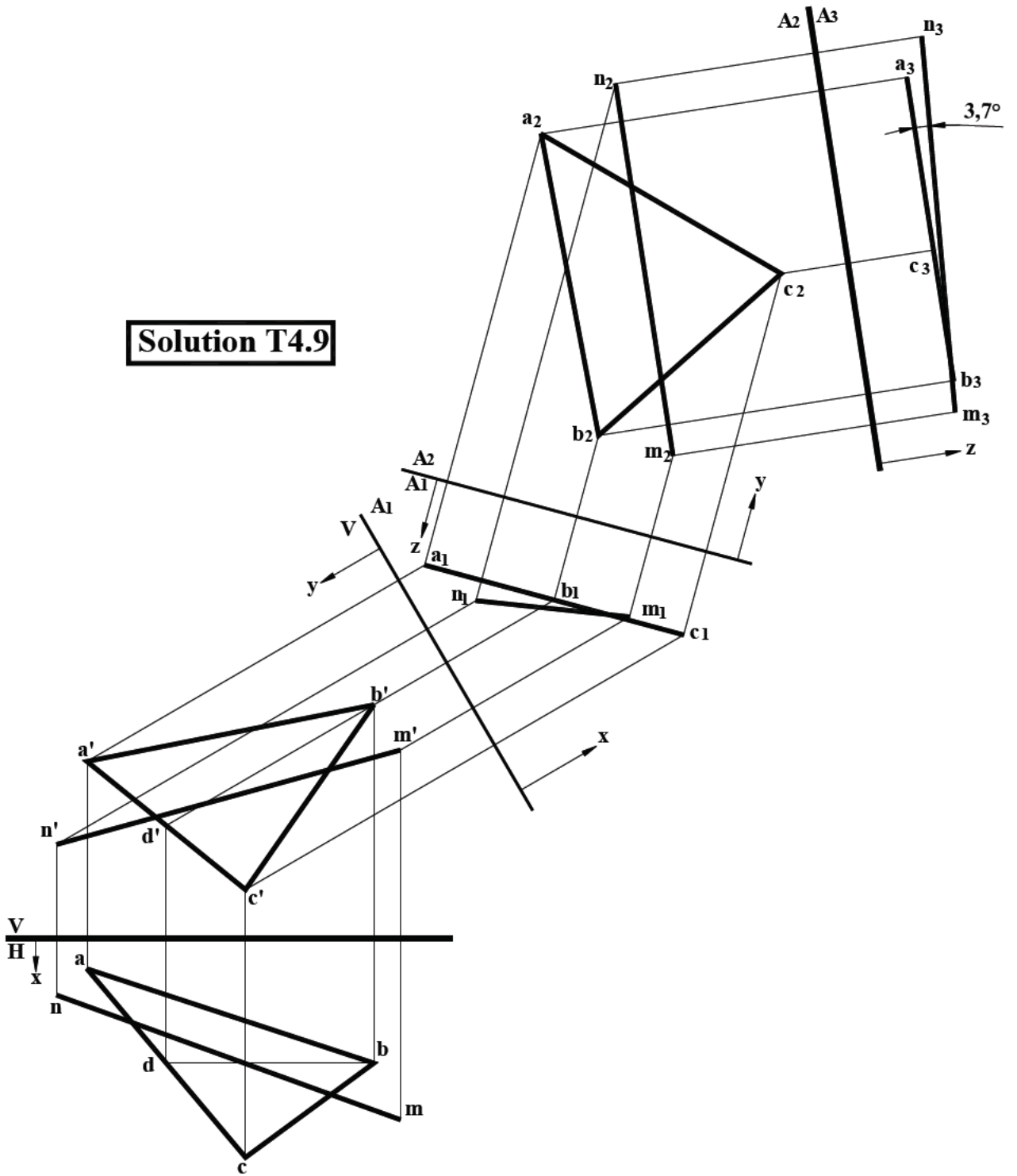
**Solution T4.8(a)**



**Solution T4.8(b)**



**Solution T4.9**

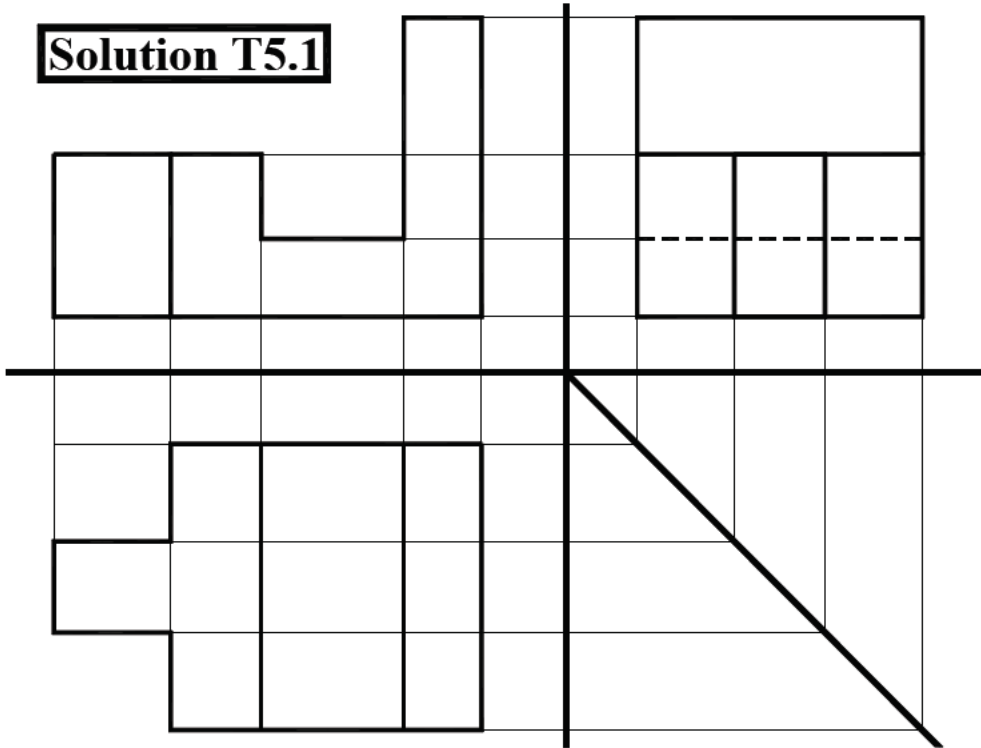




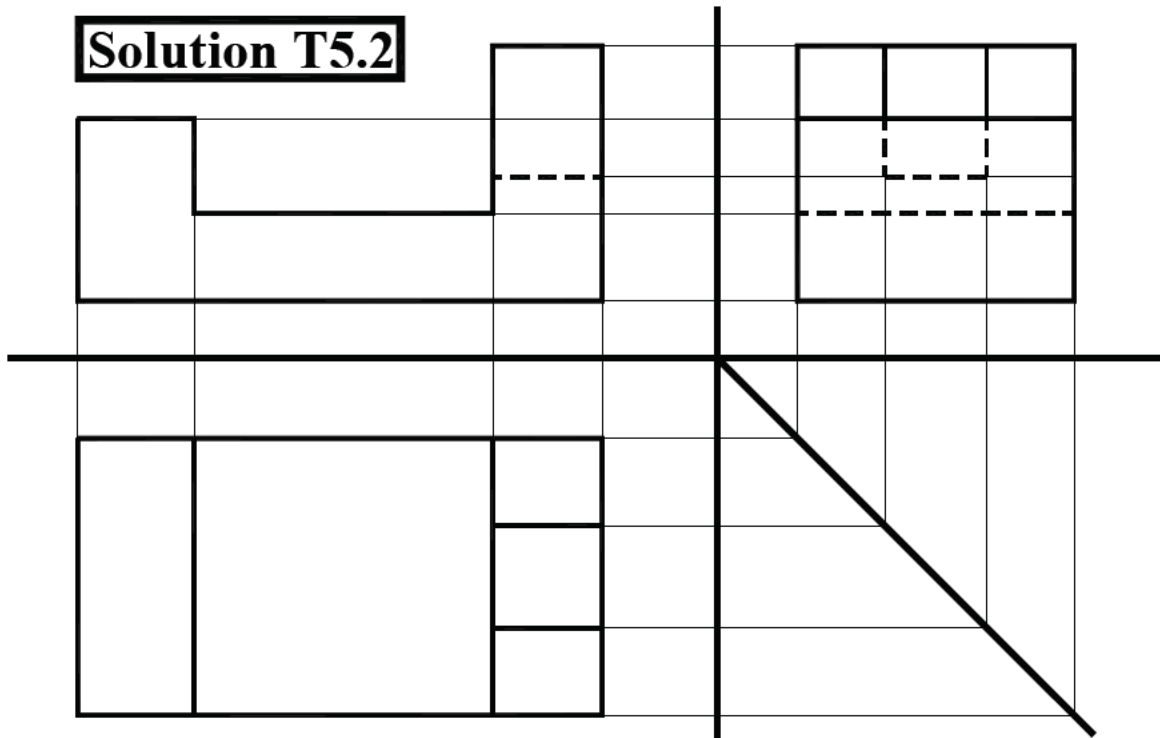


**ENGINEERING DRAWING I**  
**SOLUTION FOR TUTORIAL NO. 5**

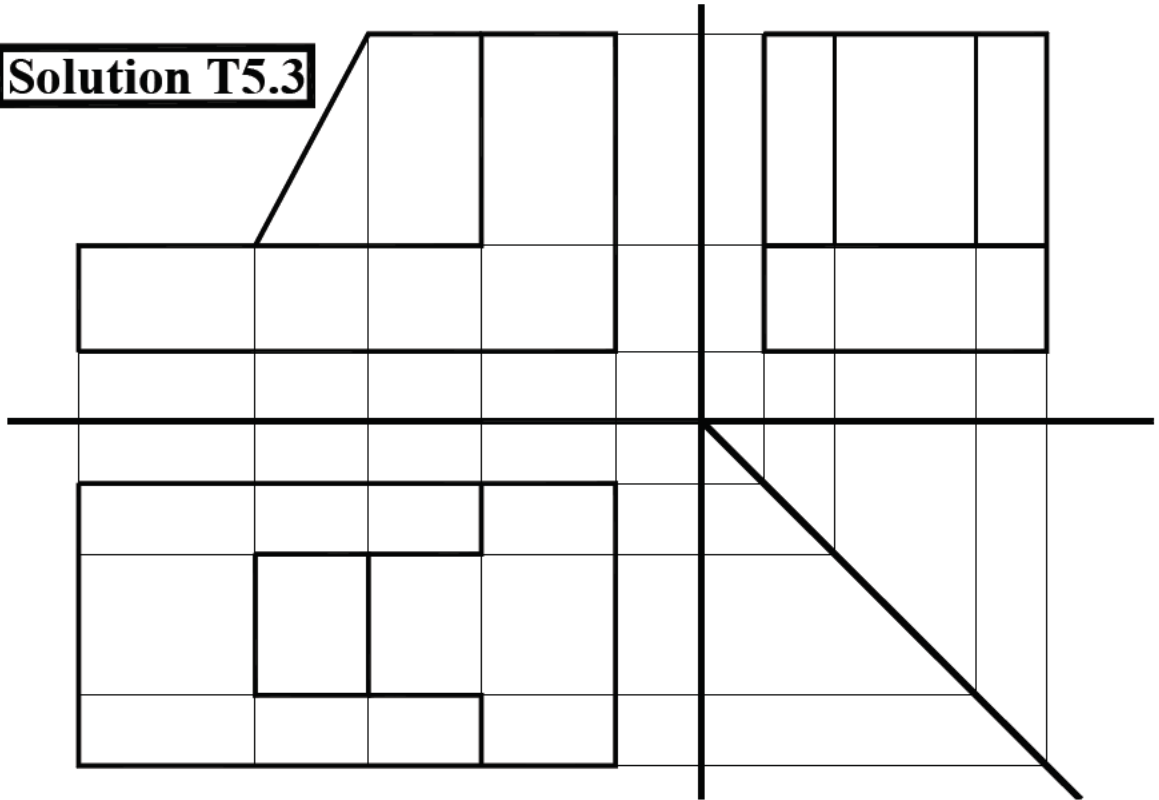
**Solution T5.1**



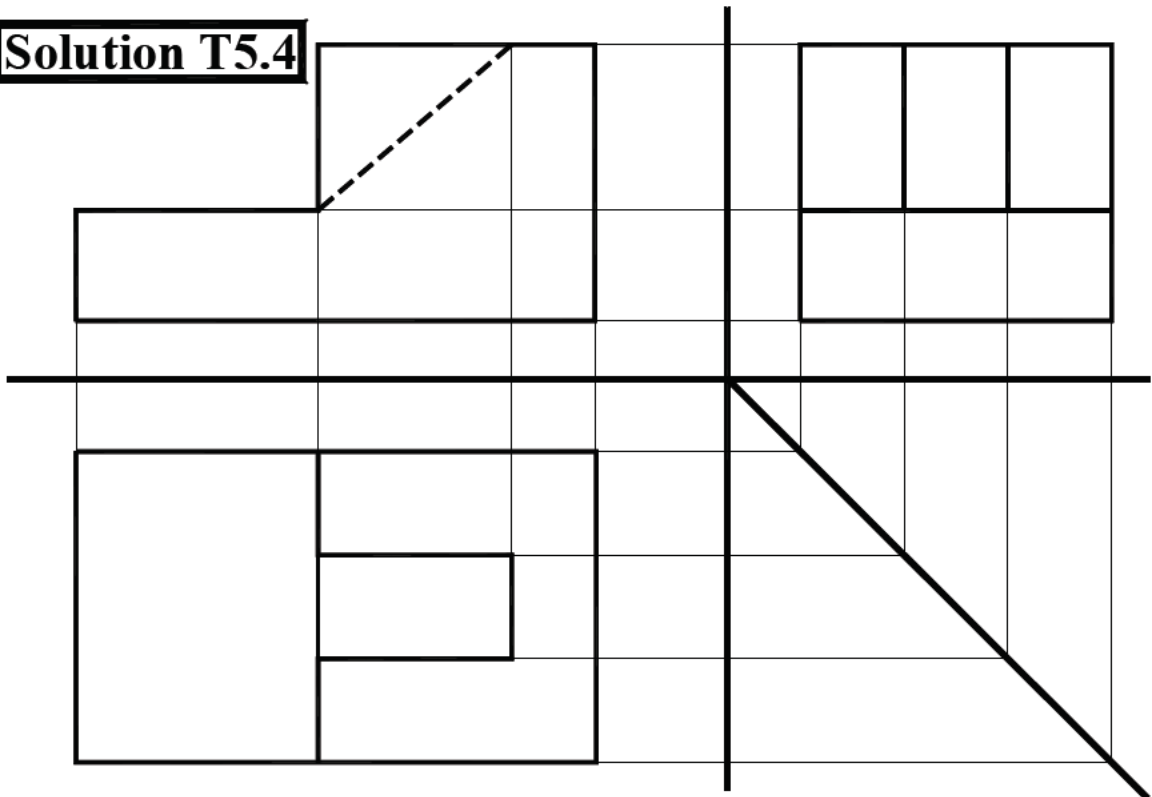
**Solution T5.2**



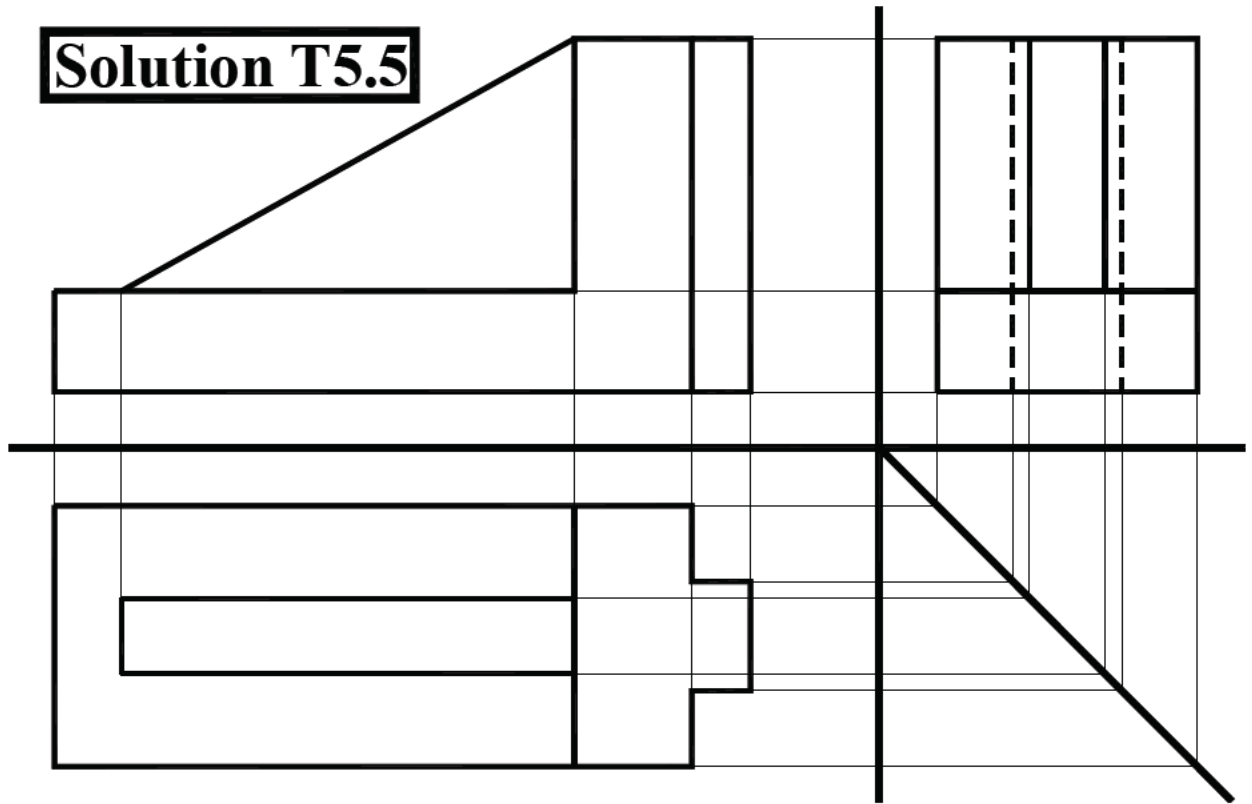
**Solution T5.3**



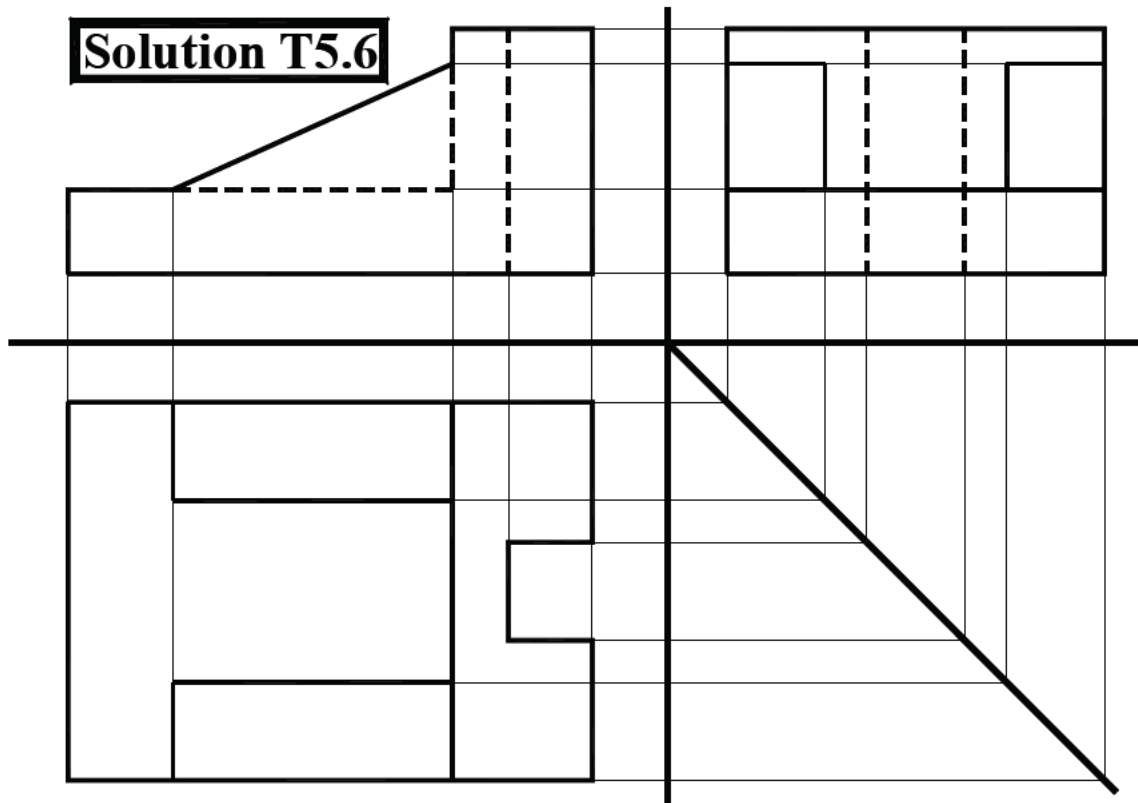
**Solution T5.4**



**Solution T5.5**

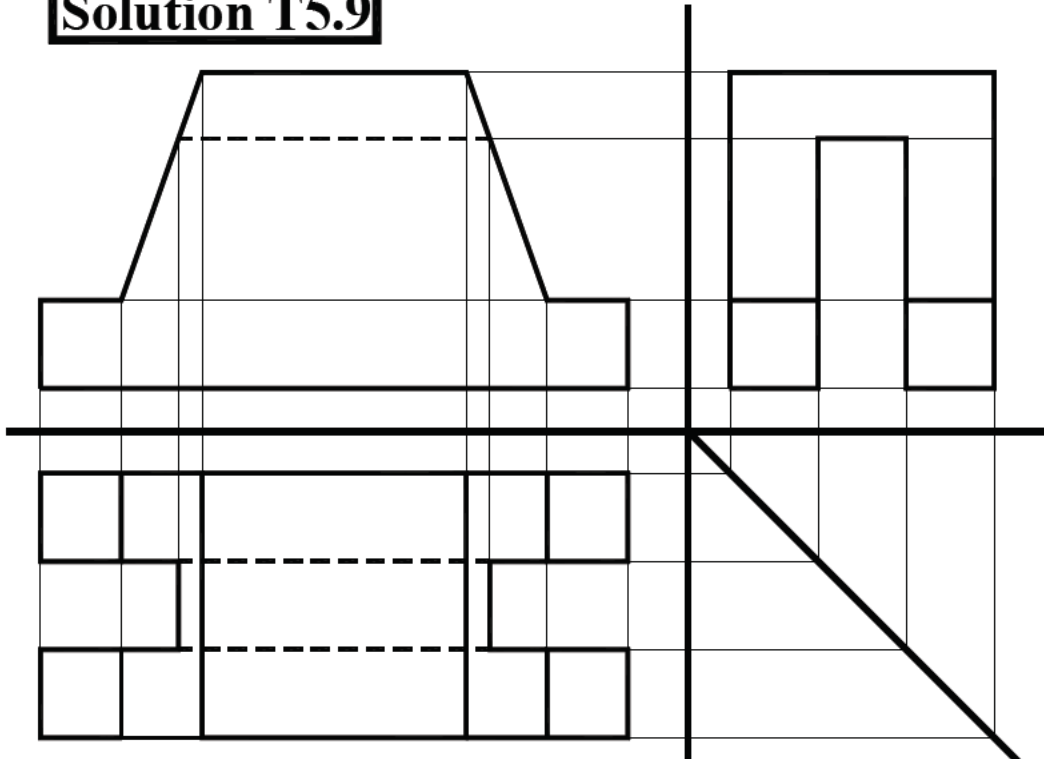


**Solution T5.6**

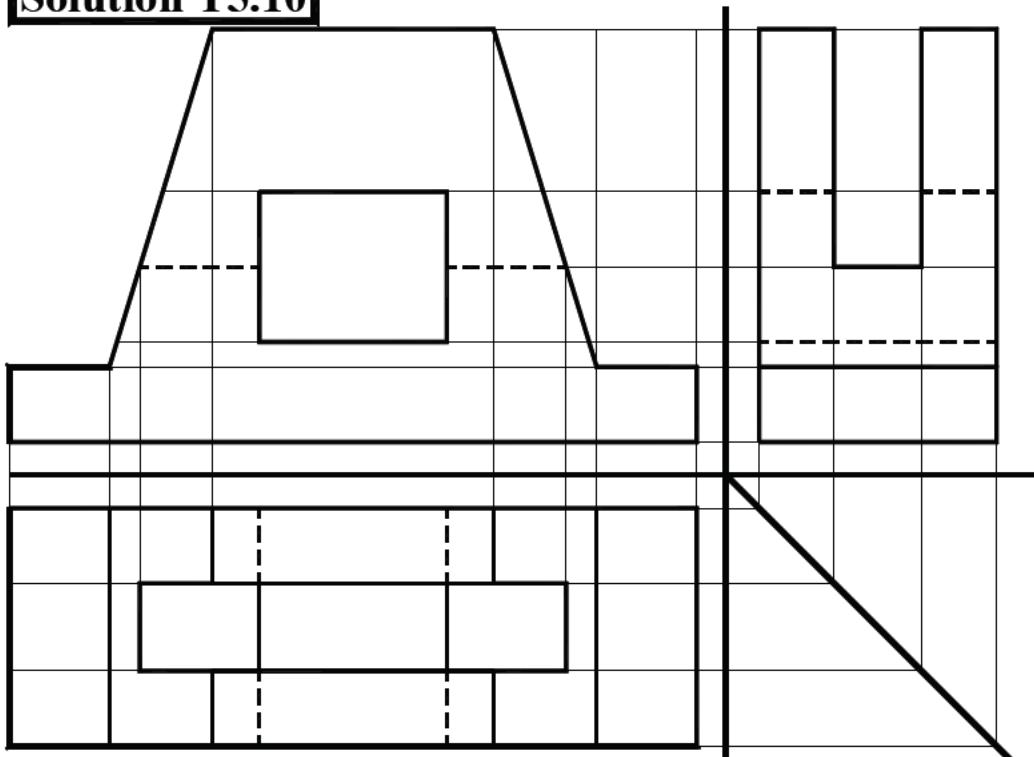




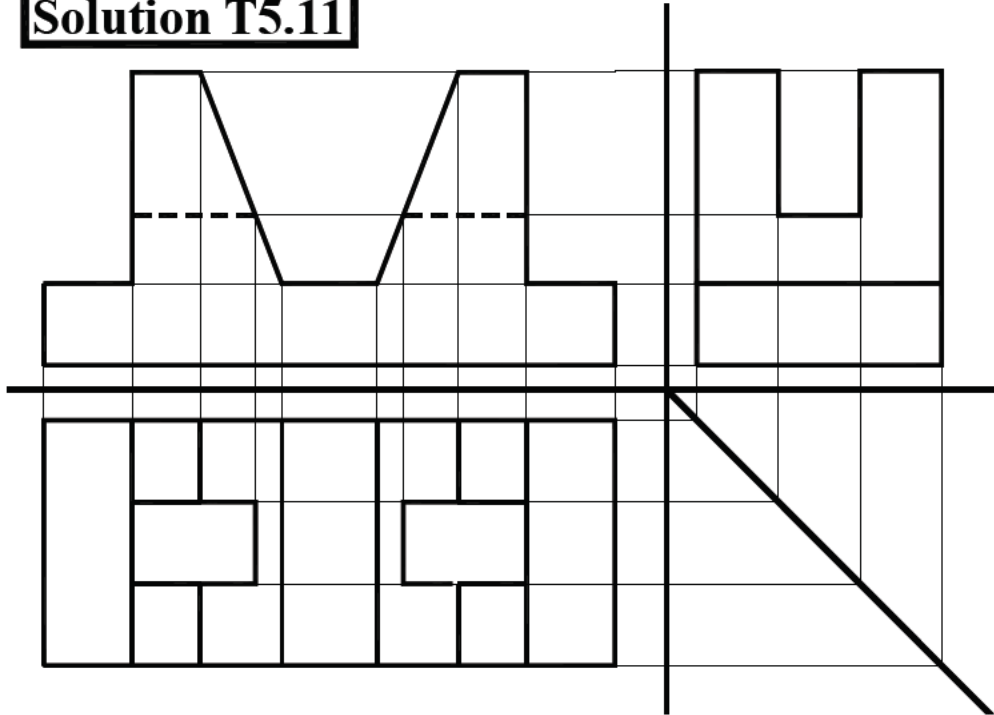
**Solution T5.9**



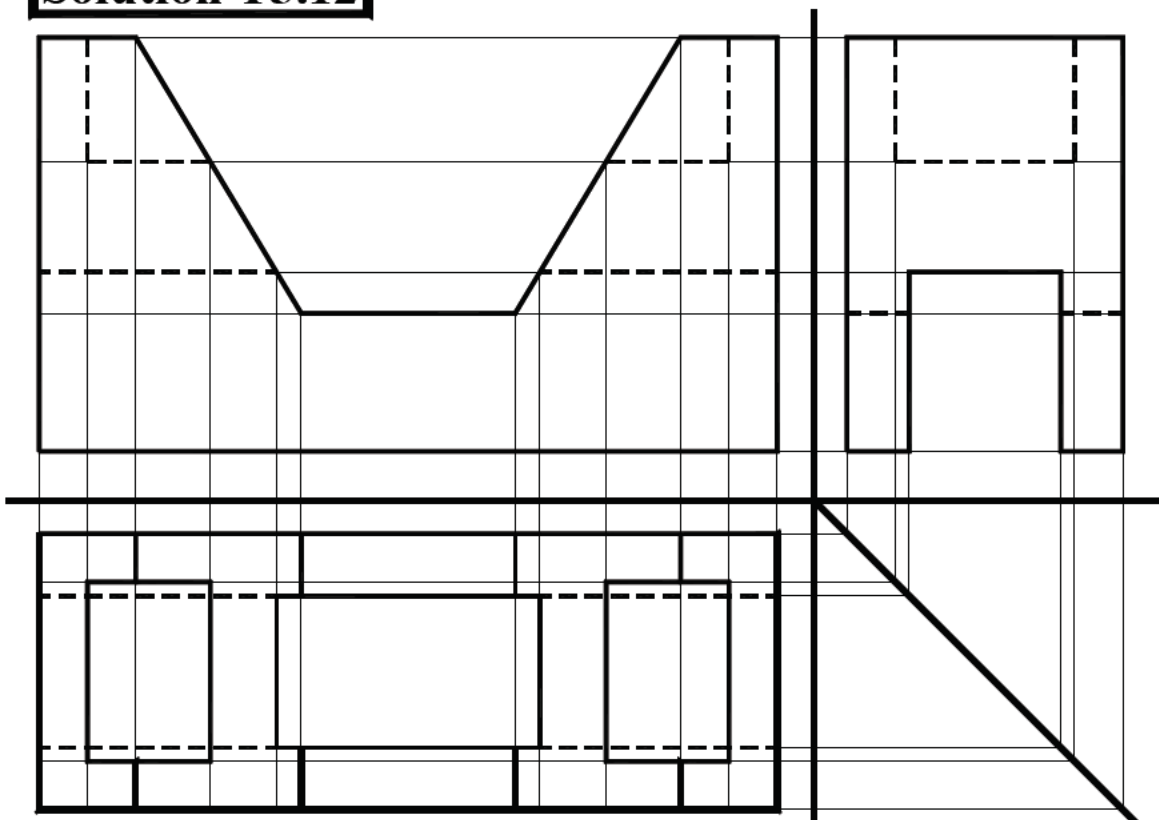
**Solution T5.10**



**Solution T5.11**

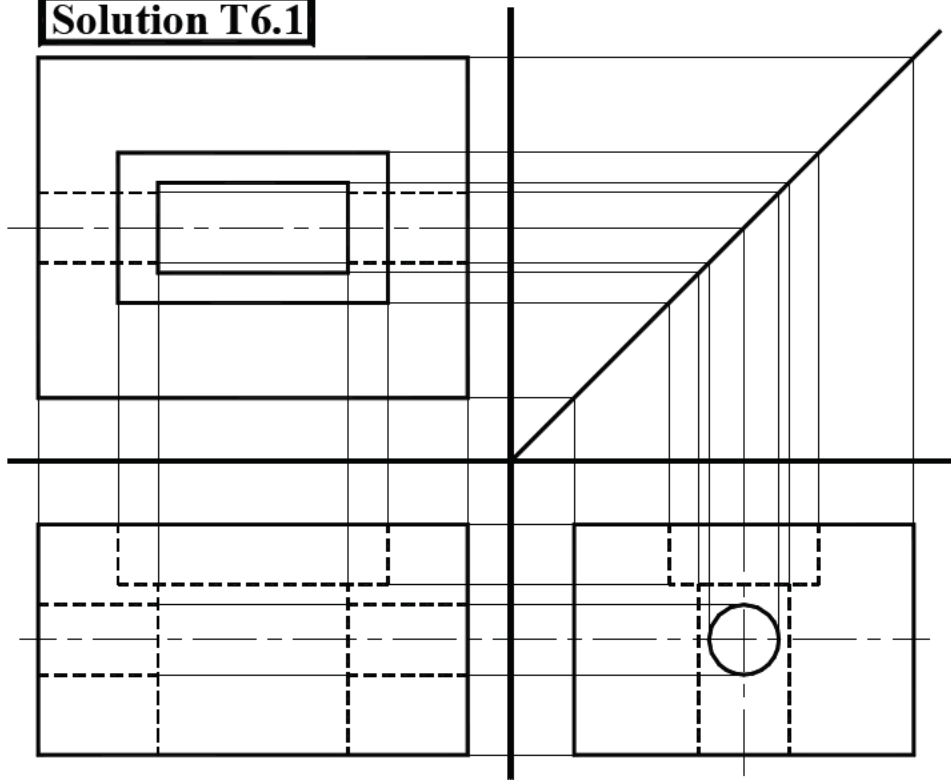


**Solution T5.12**

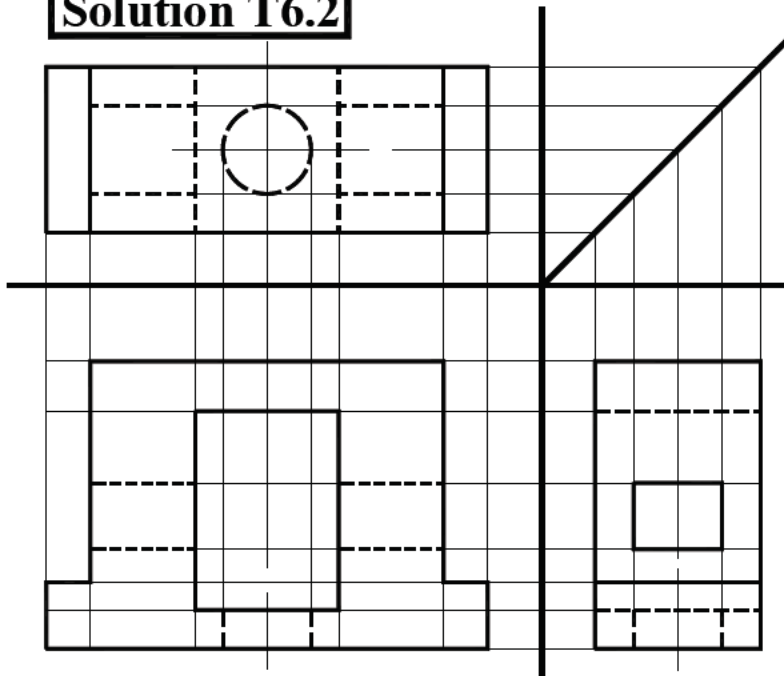


**ENGINEERING DRAWING I**  
**SOLUTION FOR TUTORIAL NO. 6**

**Solution T6.1**

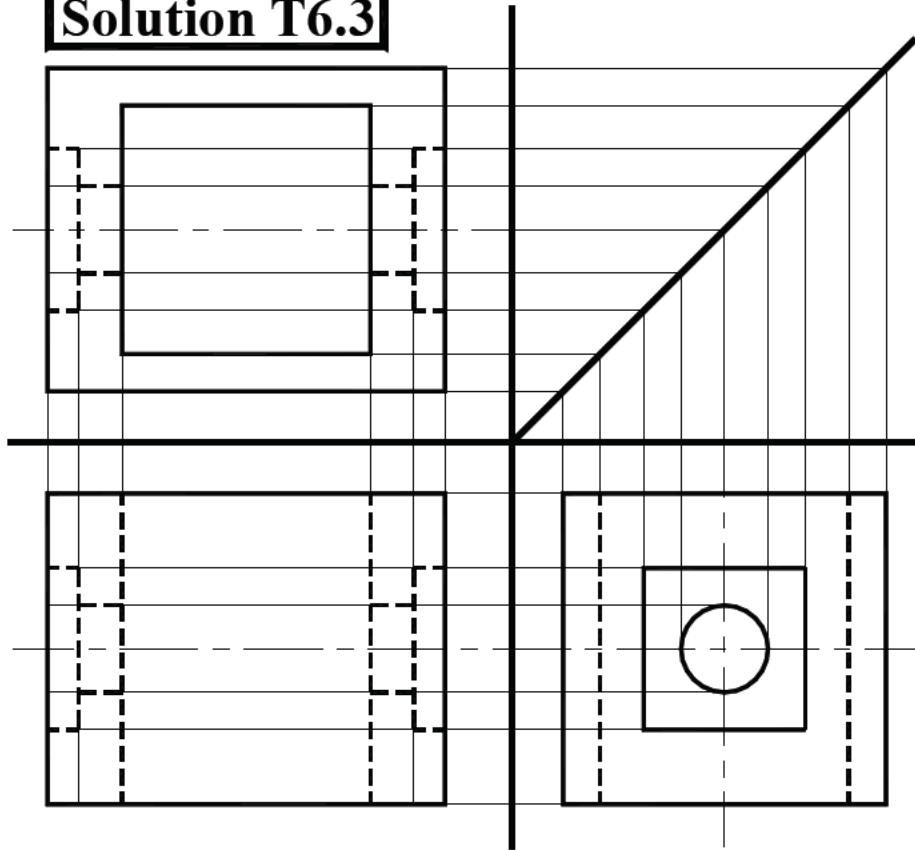


**Solution T6.2**

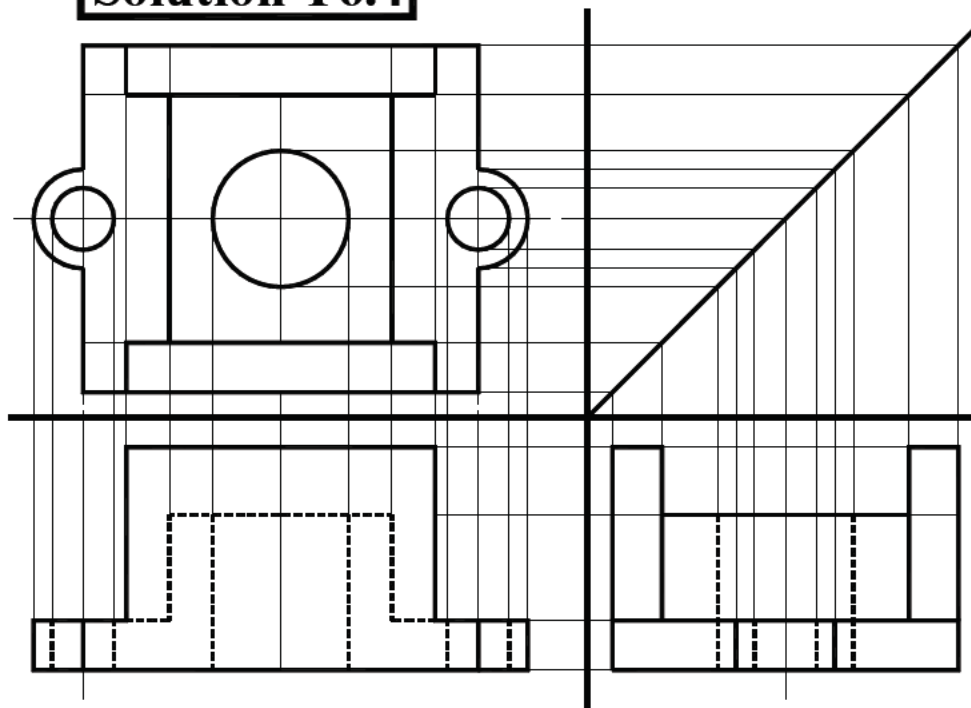




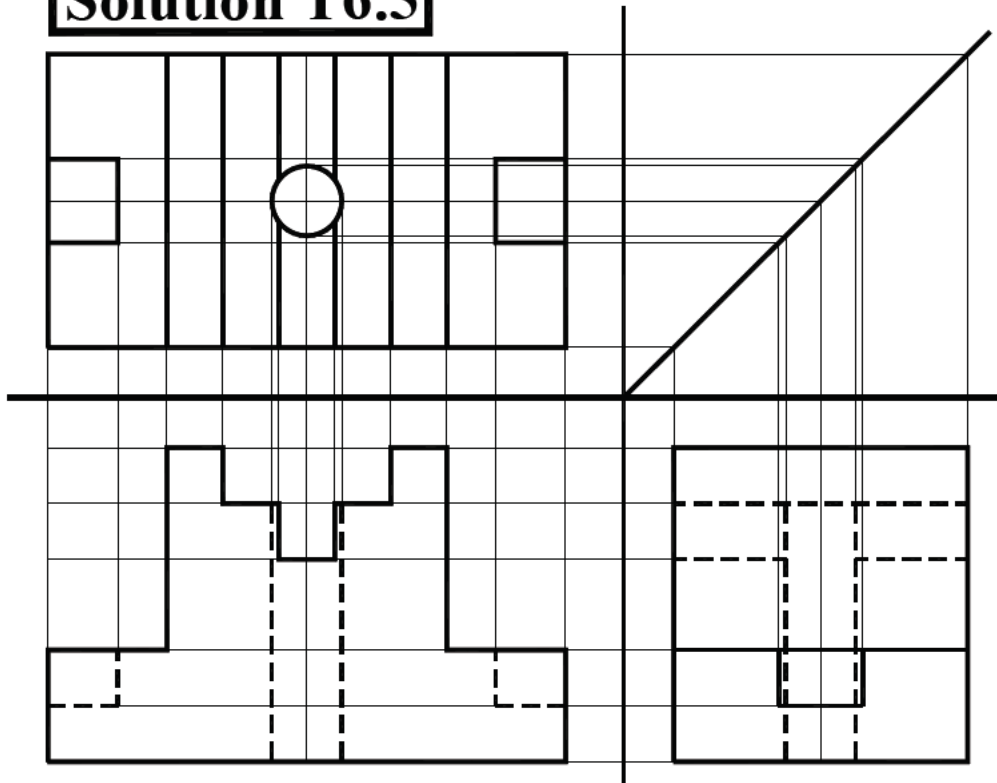
### Solution T6.3



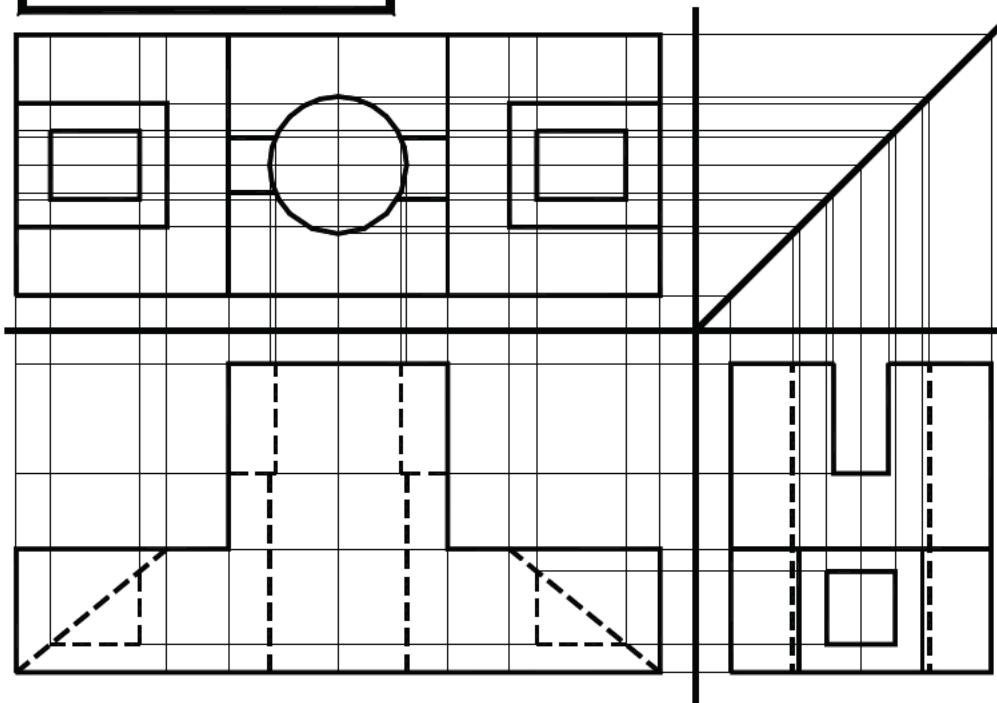
### Solution T6.4



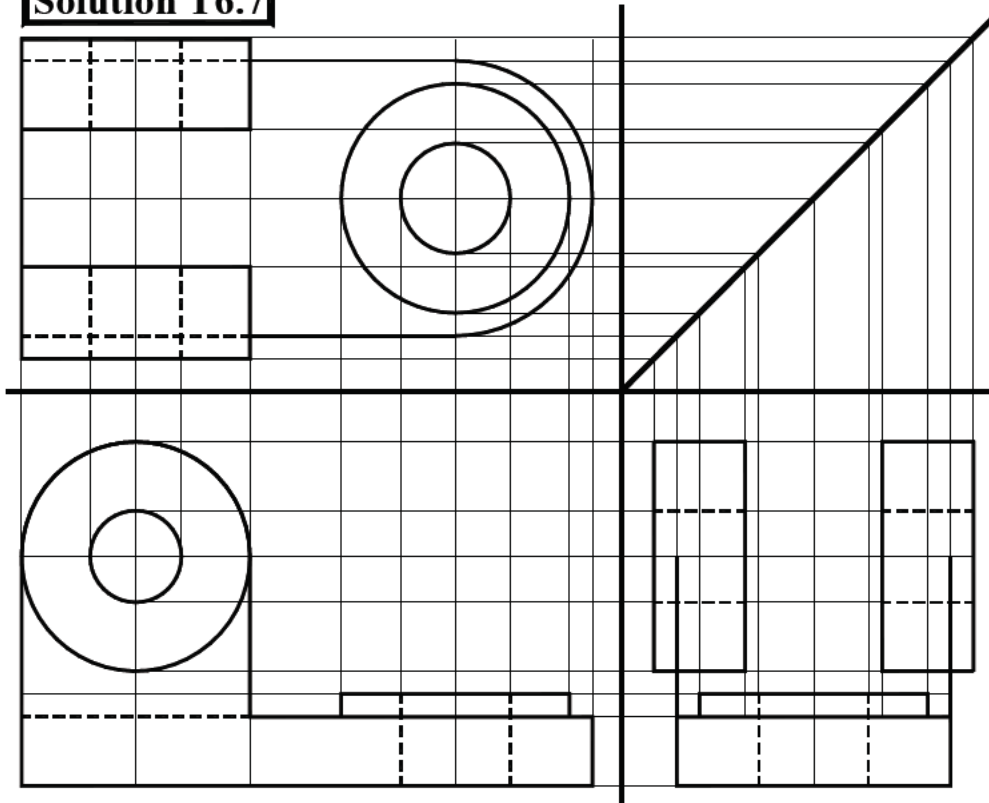
### Solution T6.5



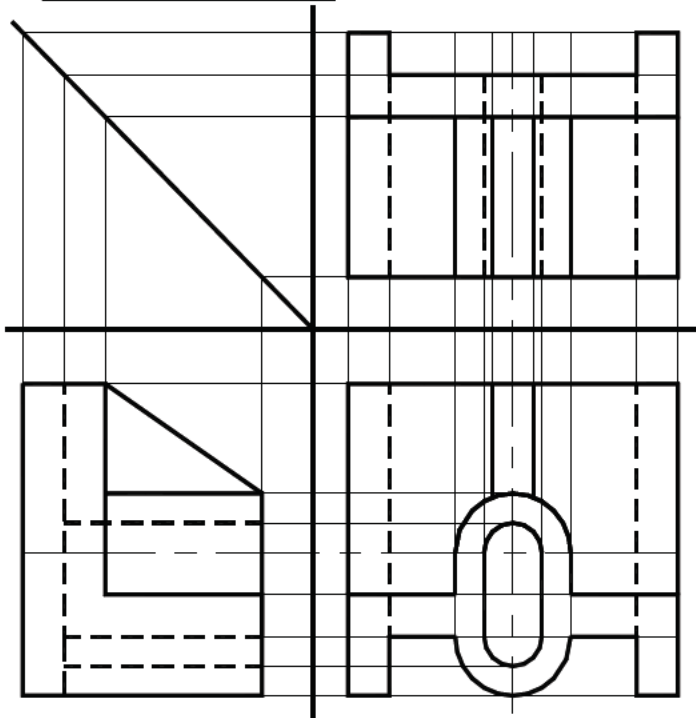
### Solution T6.6



**Solution T6.7**

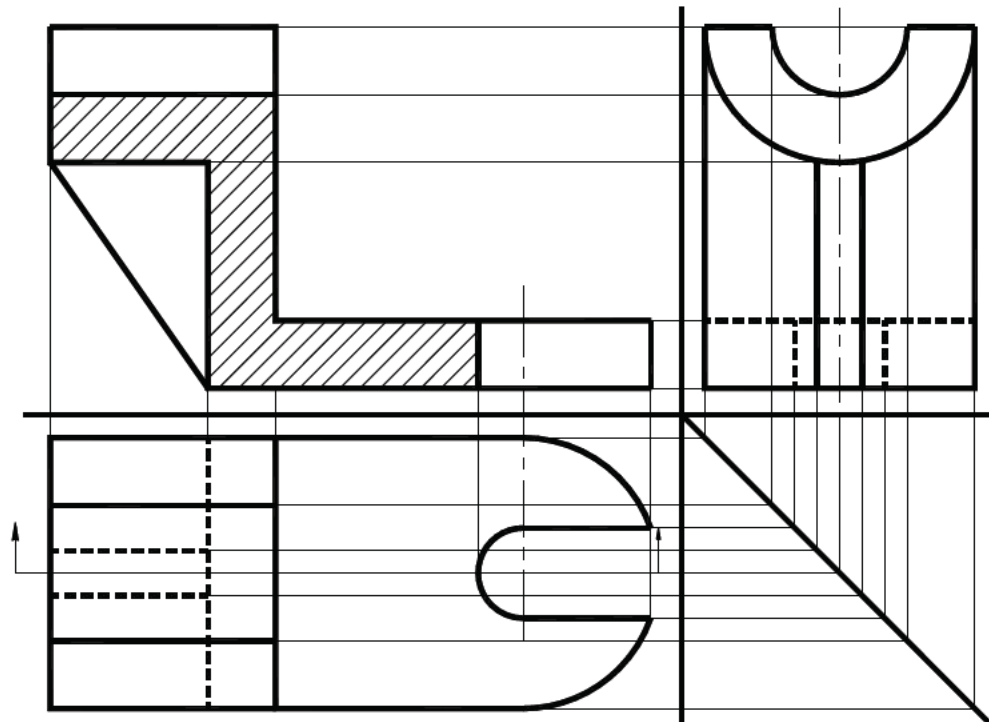
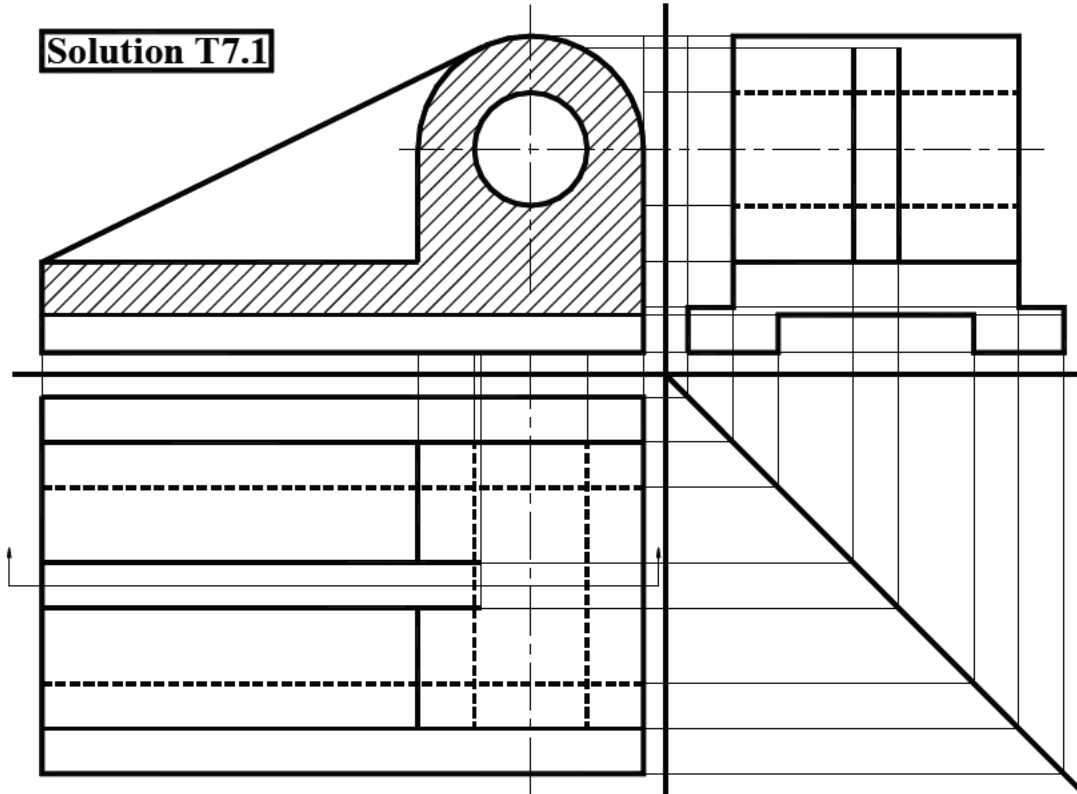


**Solution T6.8**

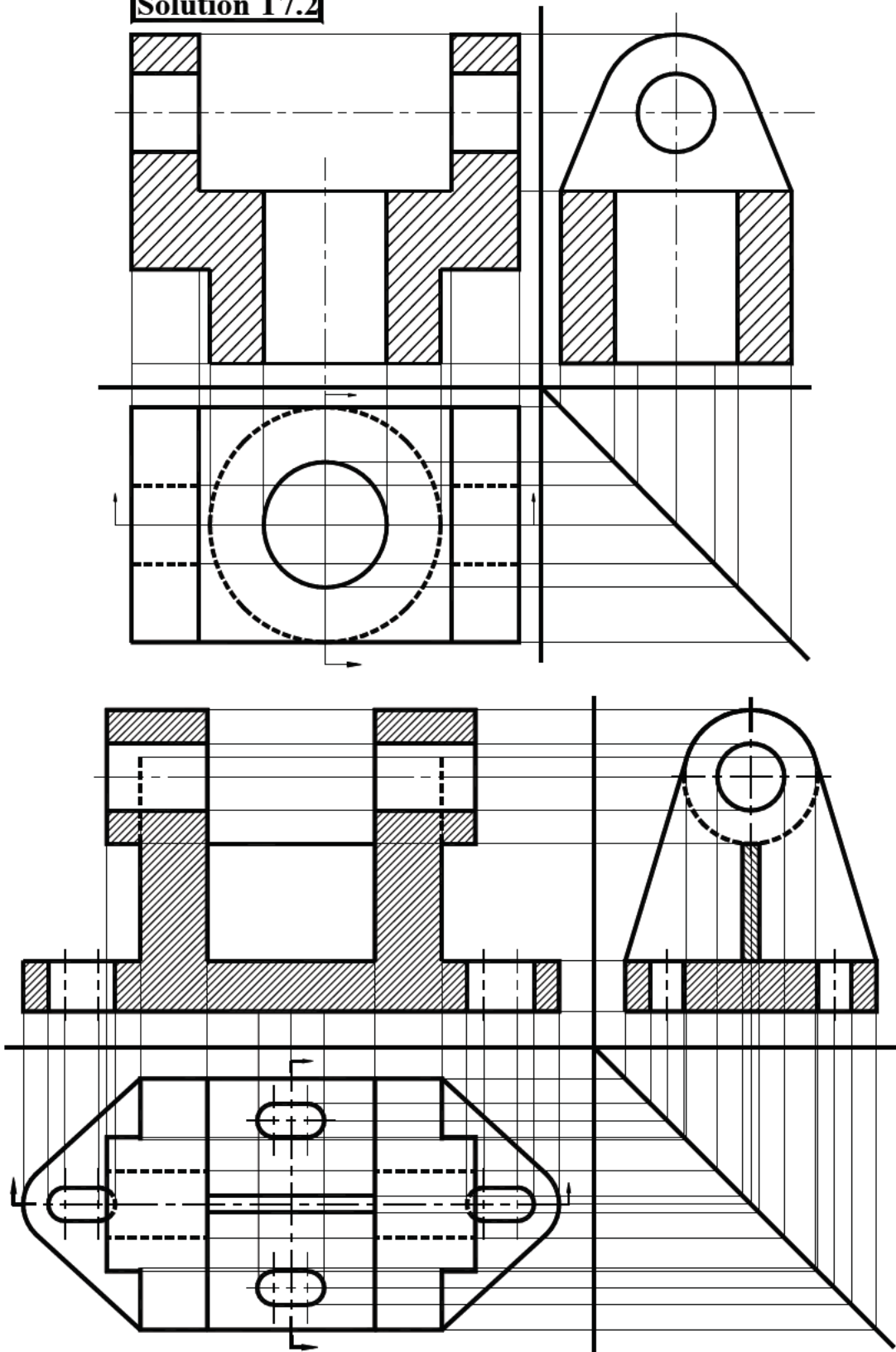


ENGINEERING DRAWING I  
SOLUTION FOR TUTORIAL NO. 7

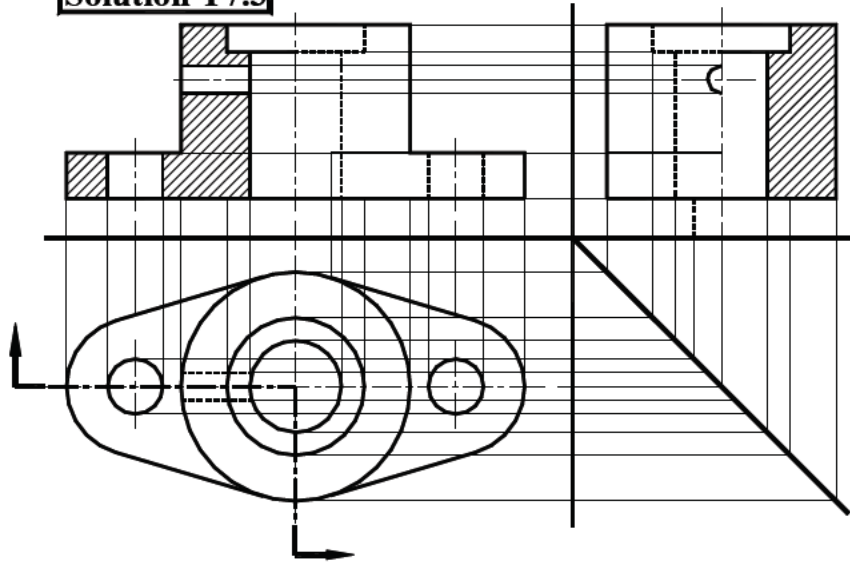
**Solution T7.1**



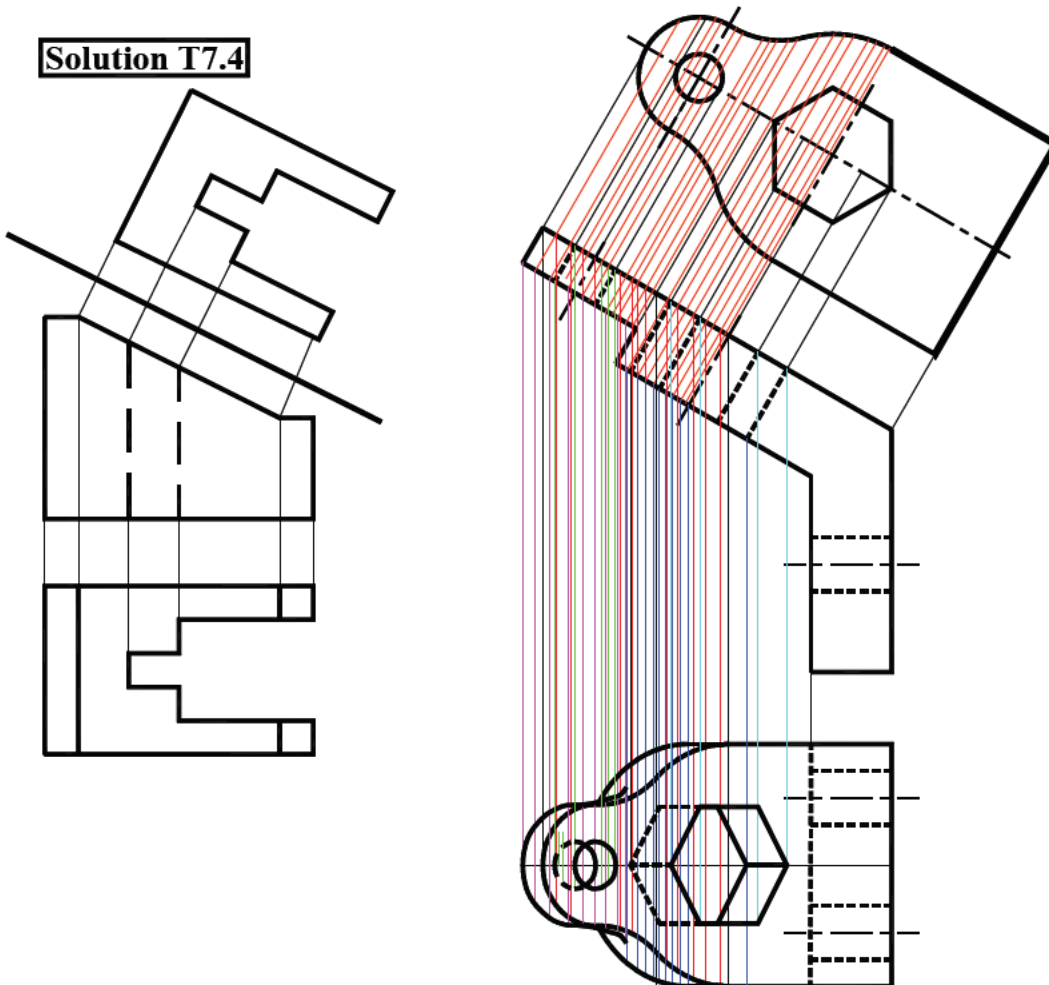
**Solution T7.2**



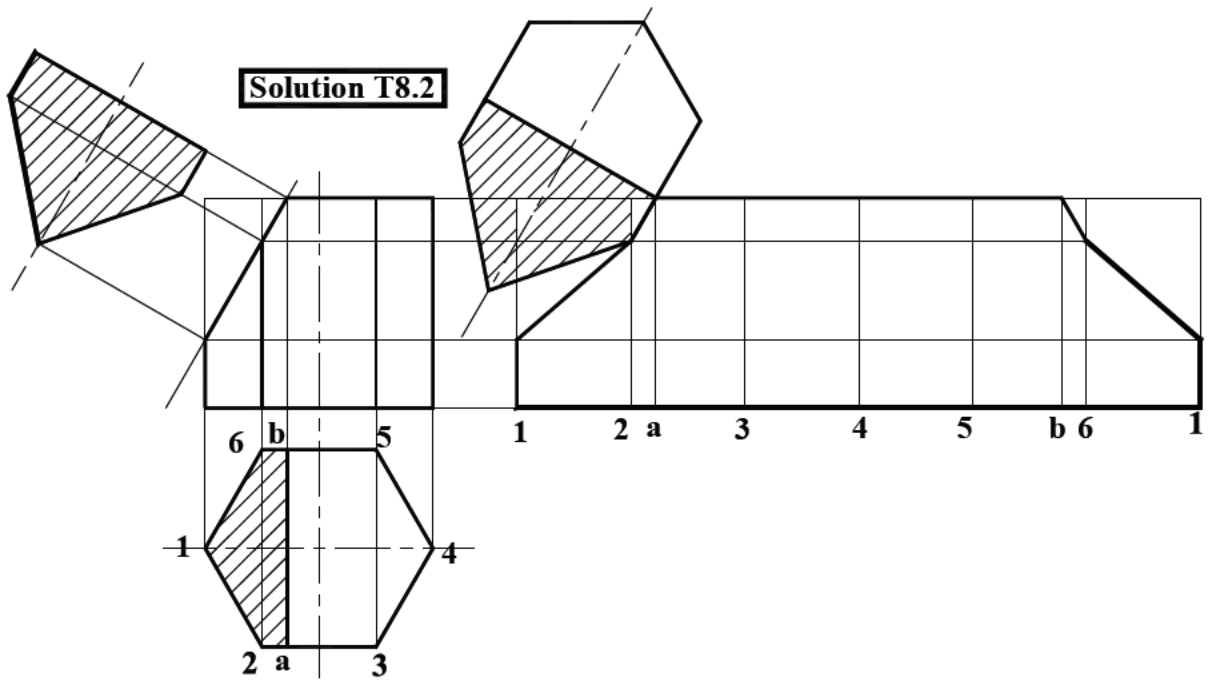
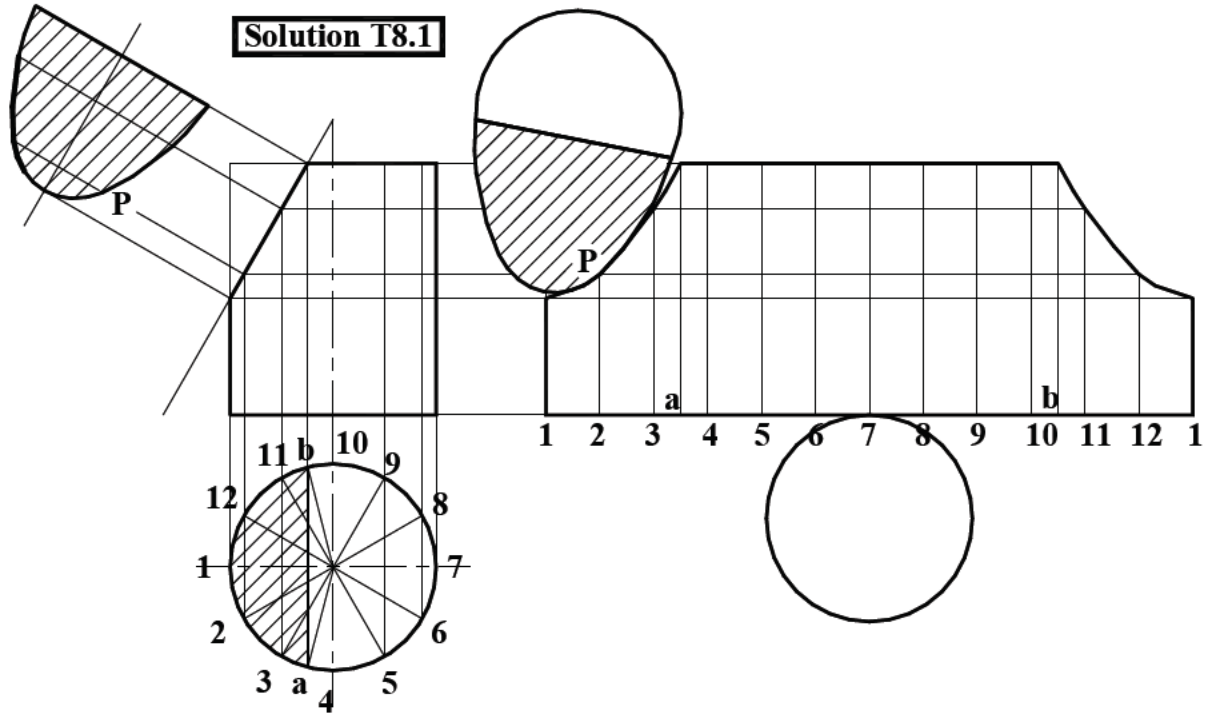
**Solution T7.3**

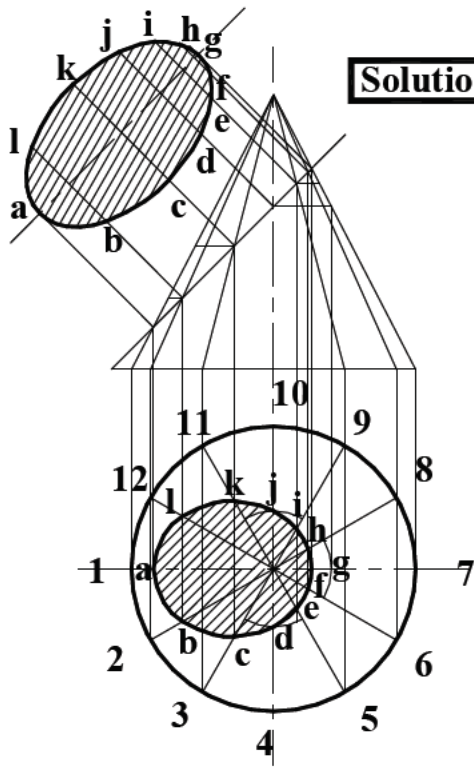


**Solution T7.4**

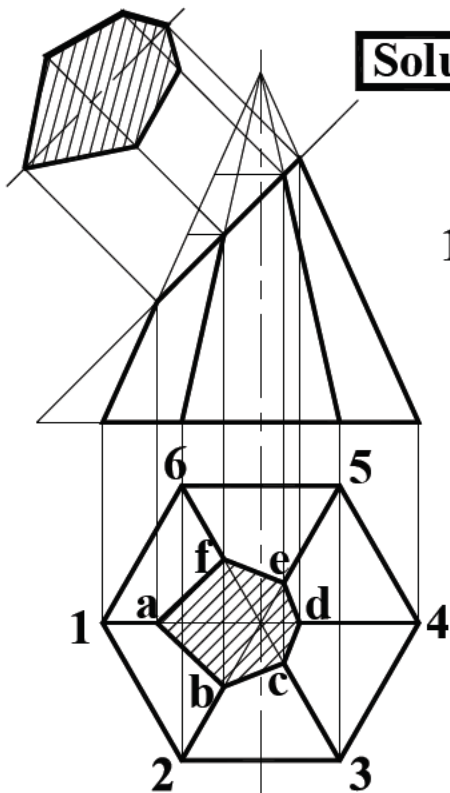
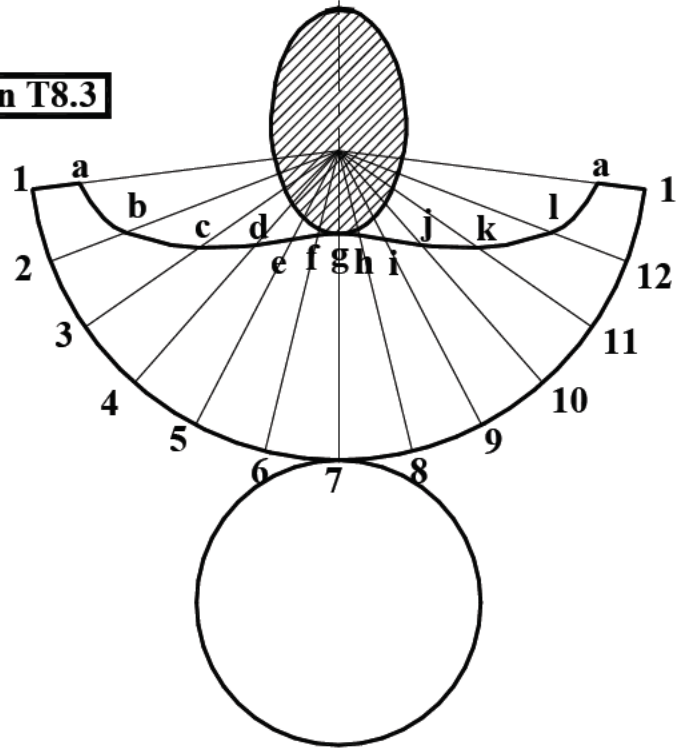


**ENGINEERING DRAWING I**  
**SOLUTION FOR TUTORIAL NO. 8**

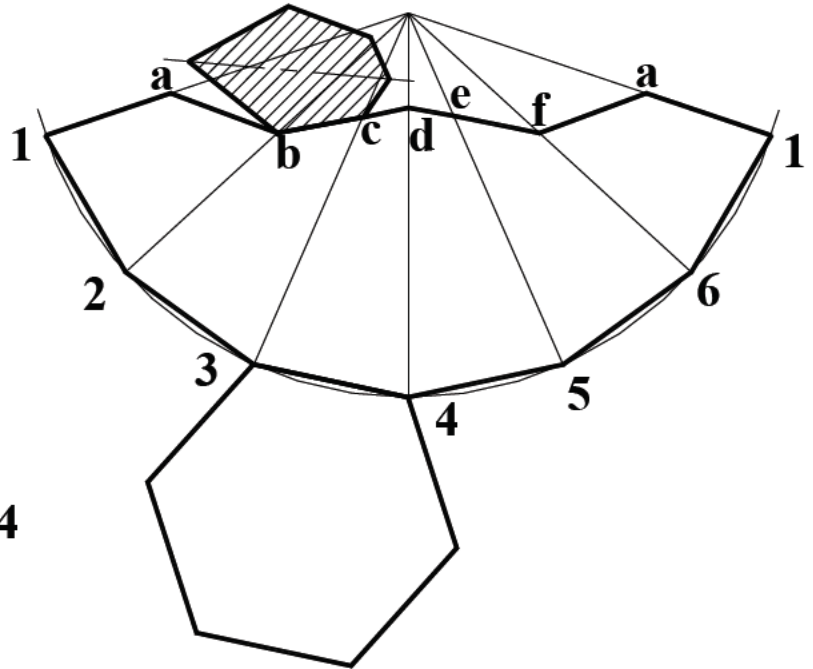




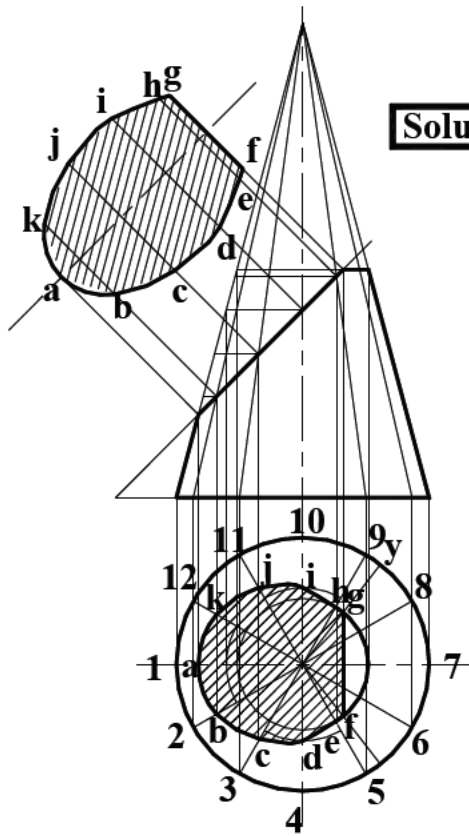
**Solution T8.3**



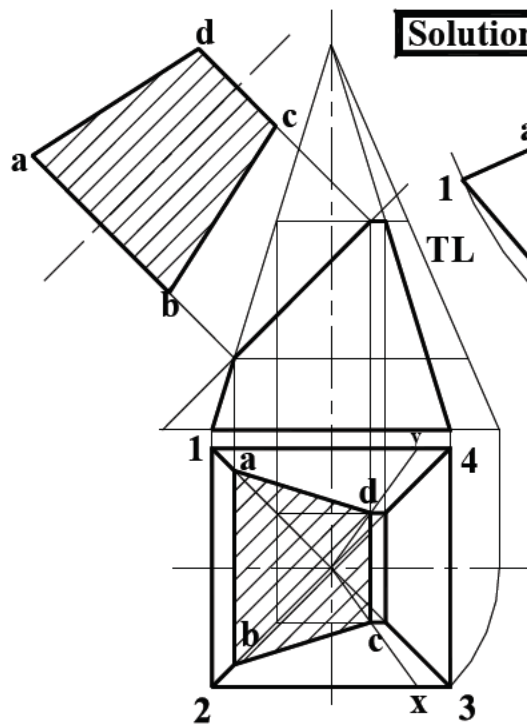
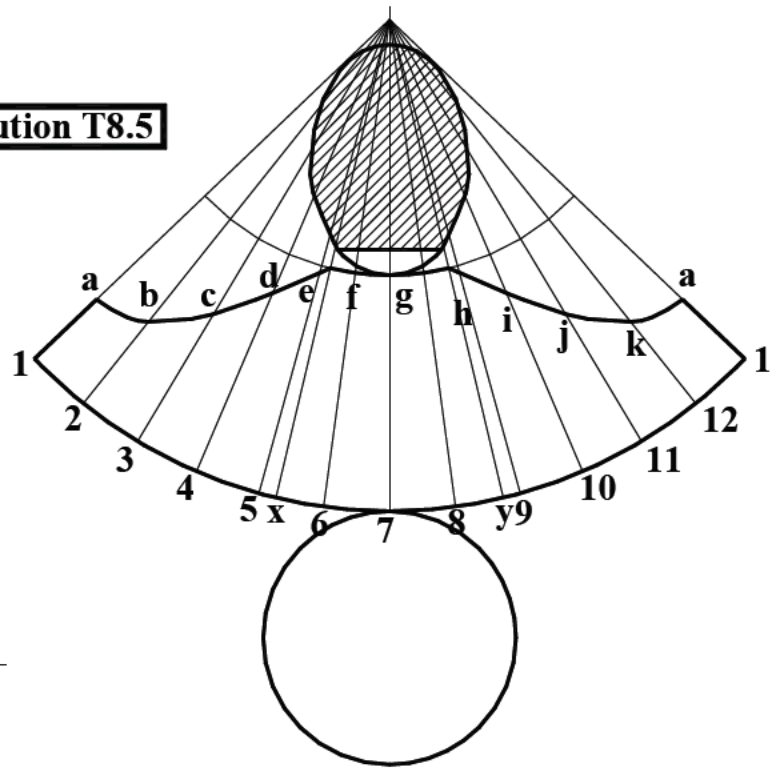
**Solution T8.4**



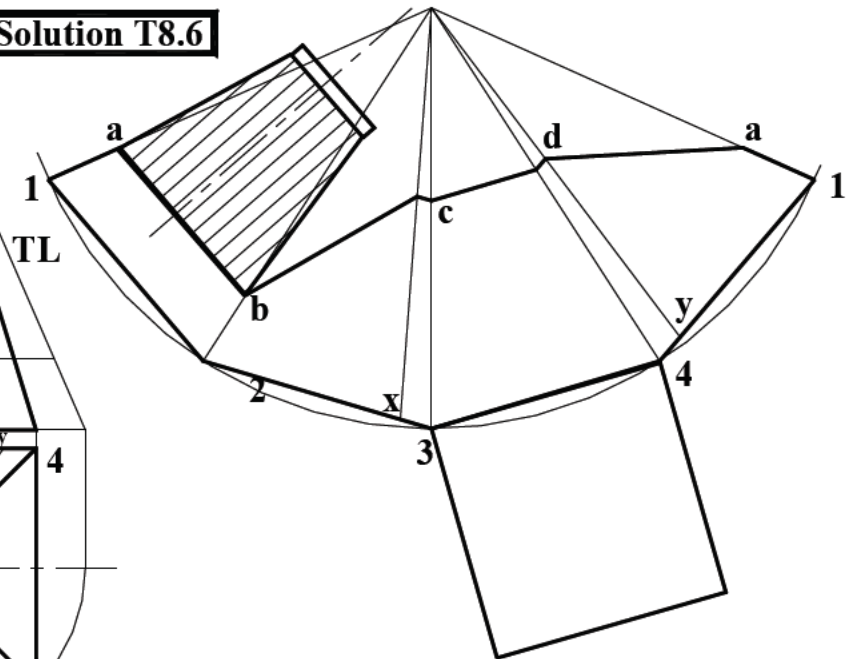




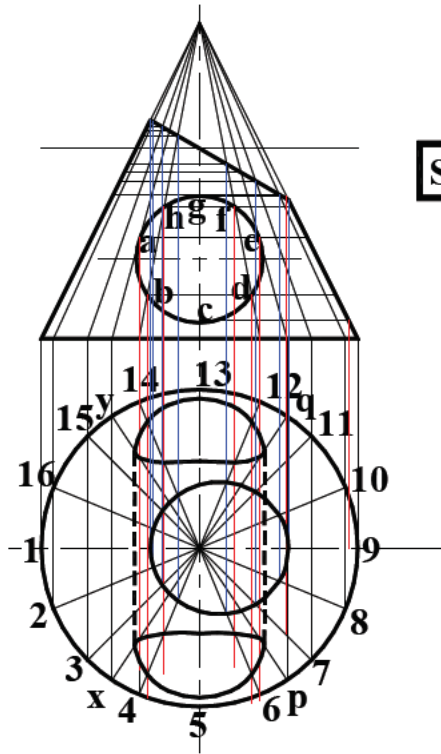
**Solution T8.5**



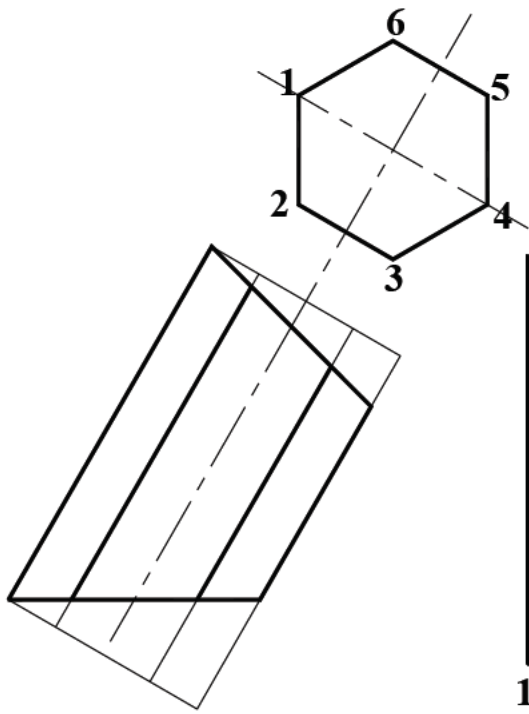
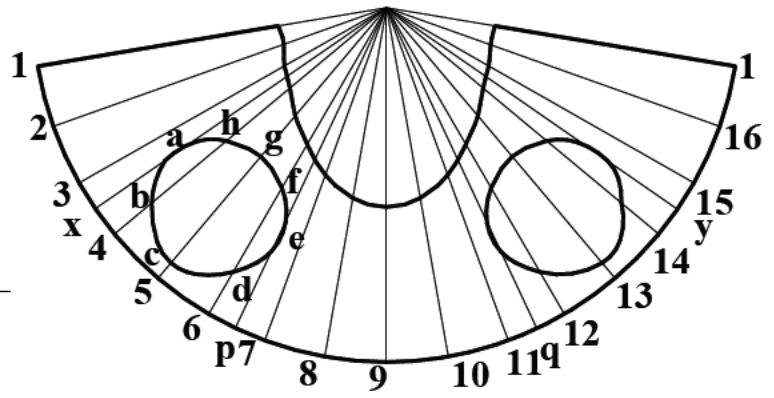
**Solution T8.6**



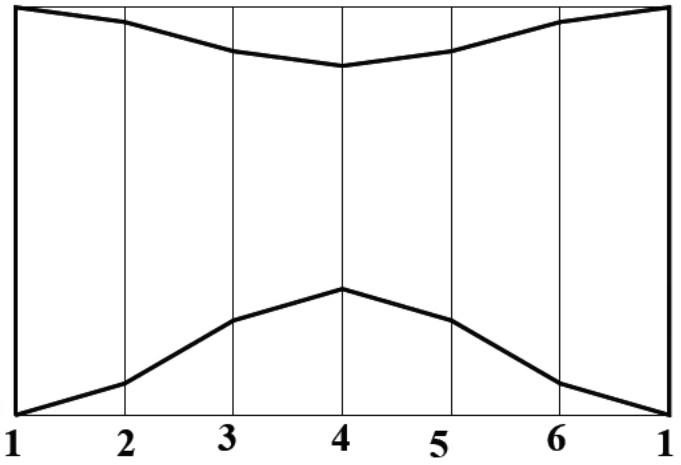
**ENGINEERING DRAWING I**  
**SOLUTION FOR TUTORIAL NO. 9**

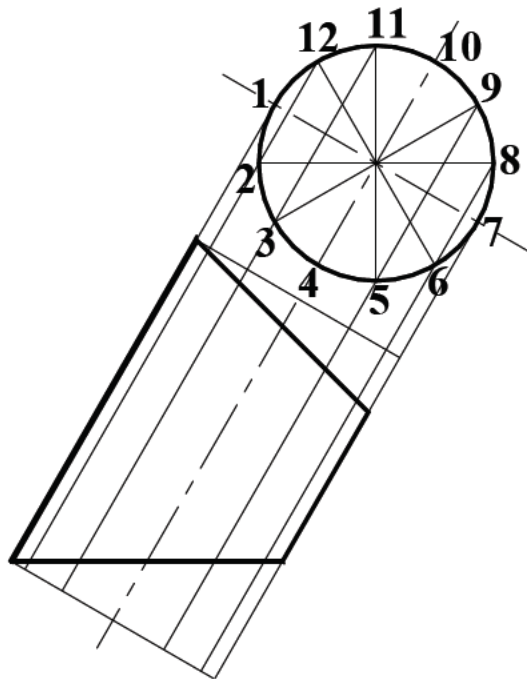


**Solution T9.1**

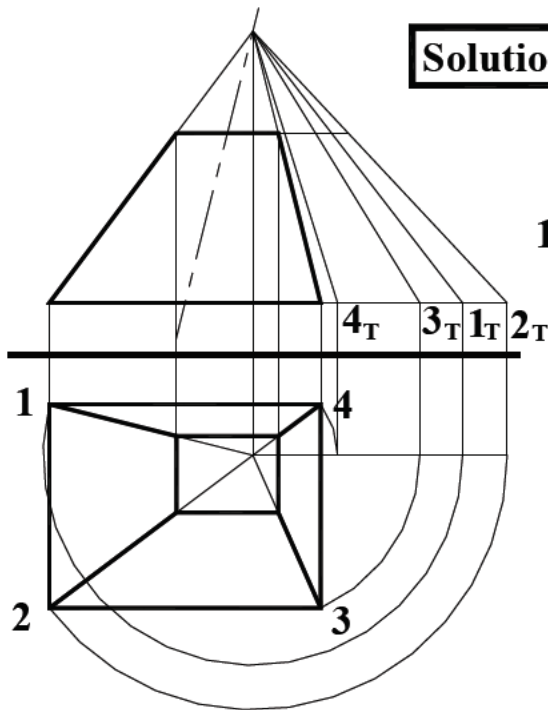
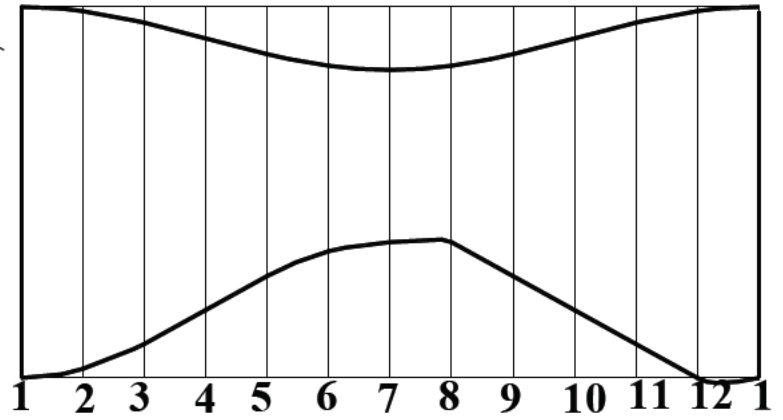


**Solution T9.2**

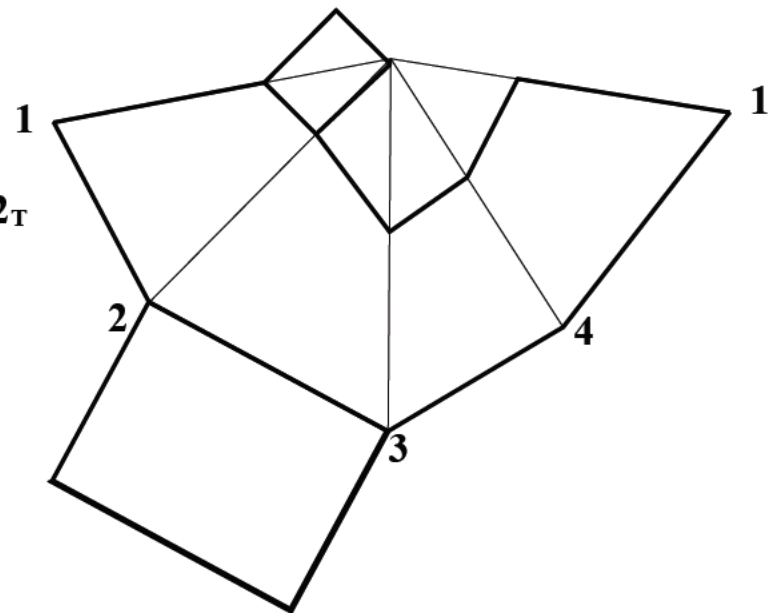


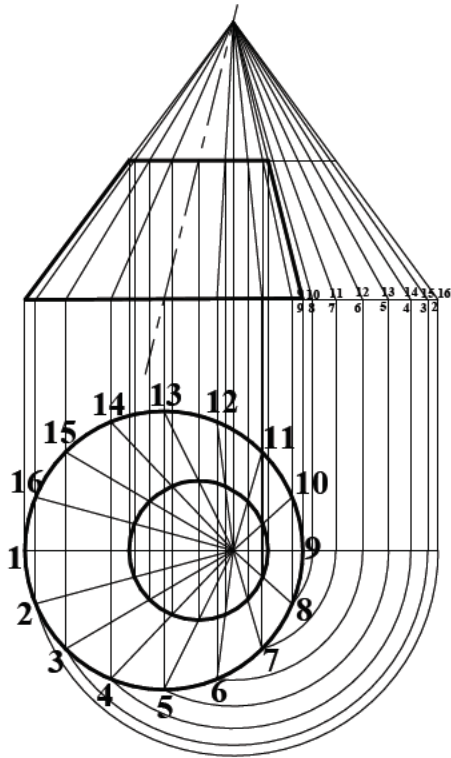


**Solution T9.3**

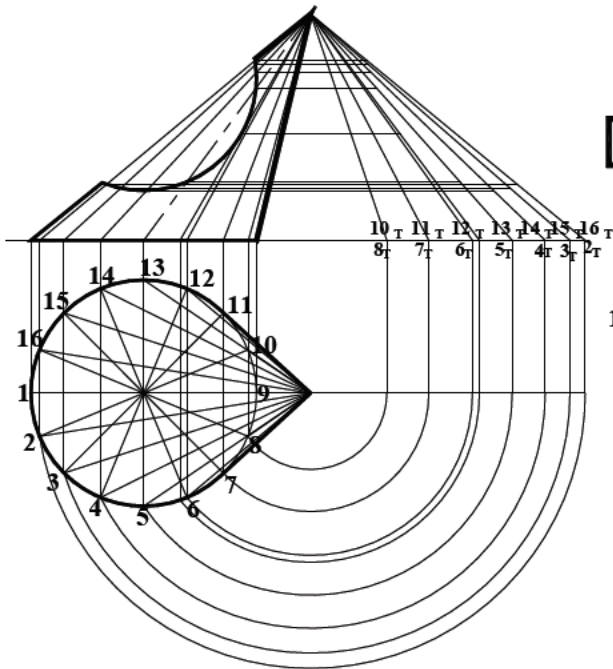
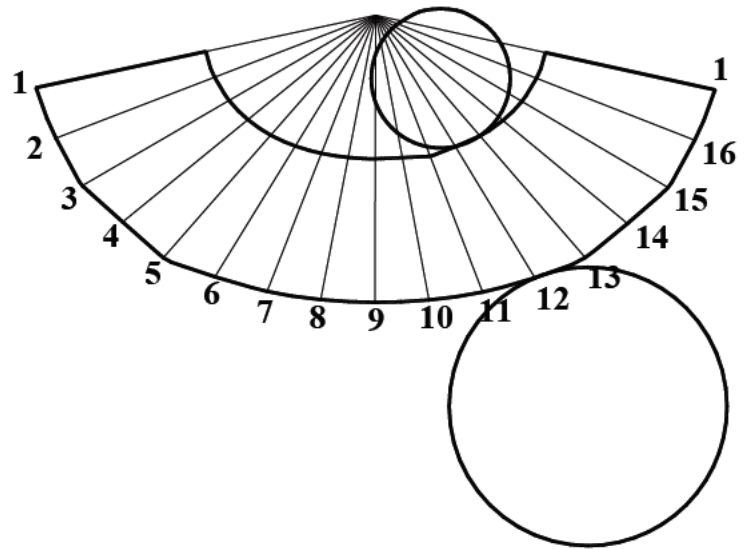


**Solution T9.4**

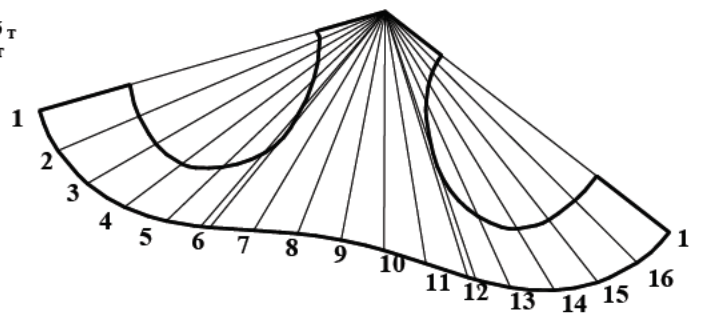




**Solution T9.5**

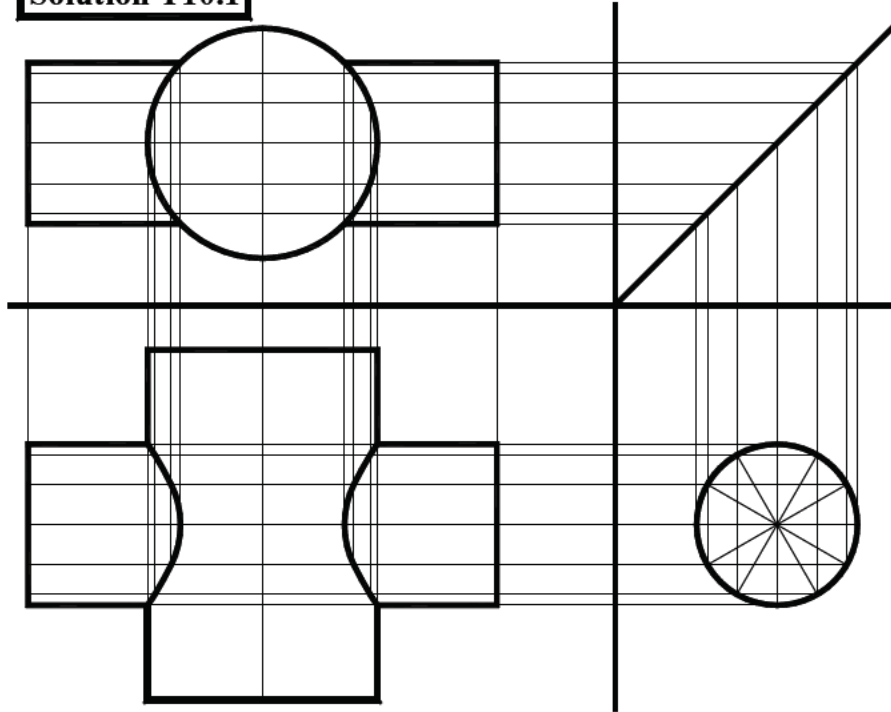


**Solution T9.6**

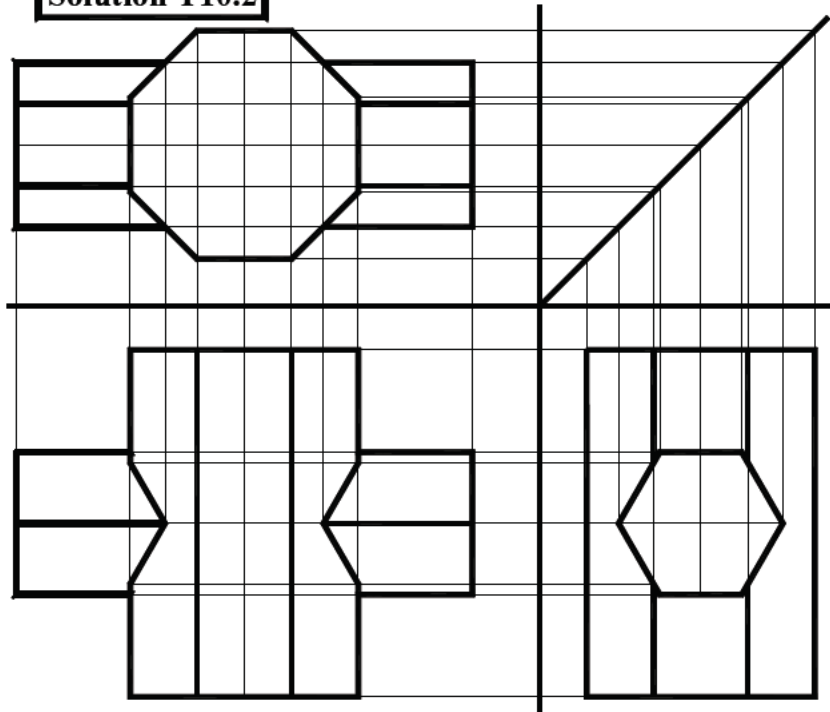


ENGINEERING DRAWING I  
SOLUTION FOR TUTORIAL NO. 10

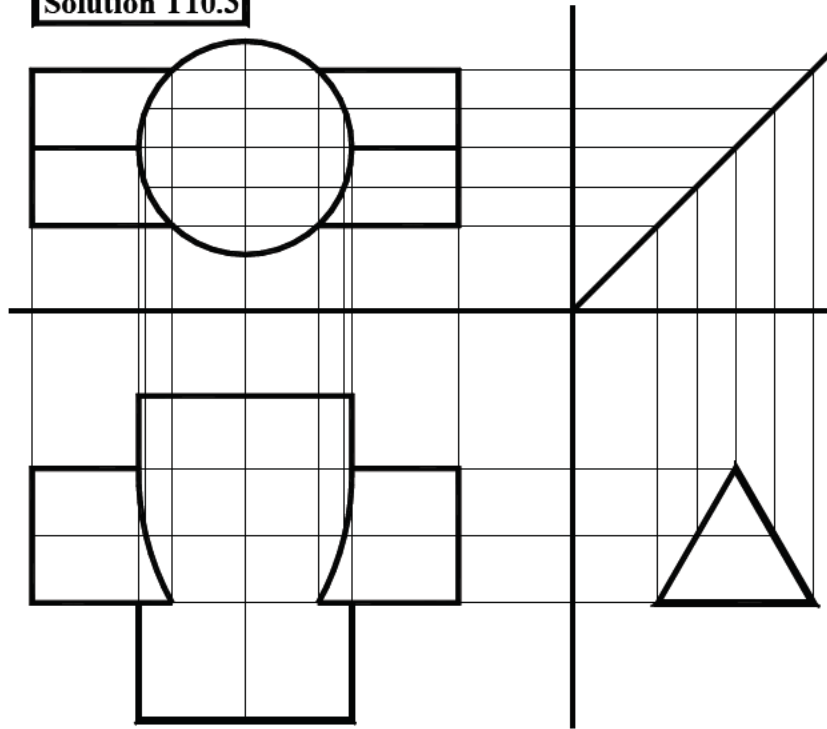
**Solution T10.1**



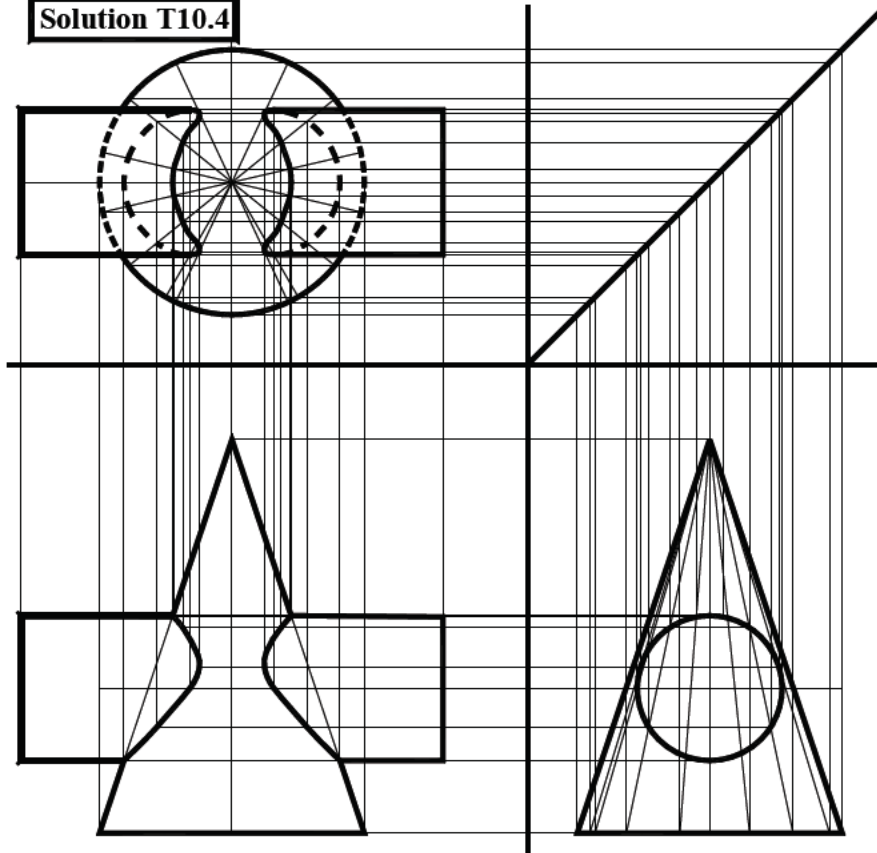
**Solution T10.2**



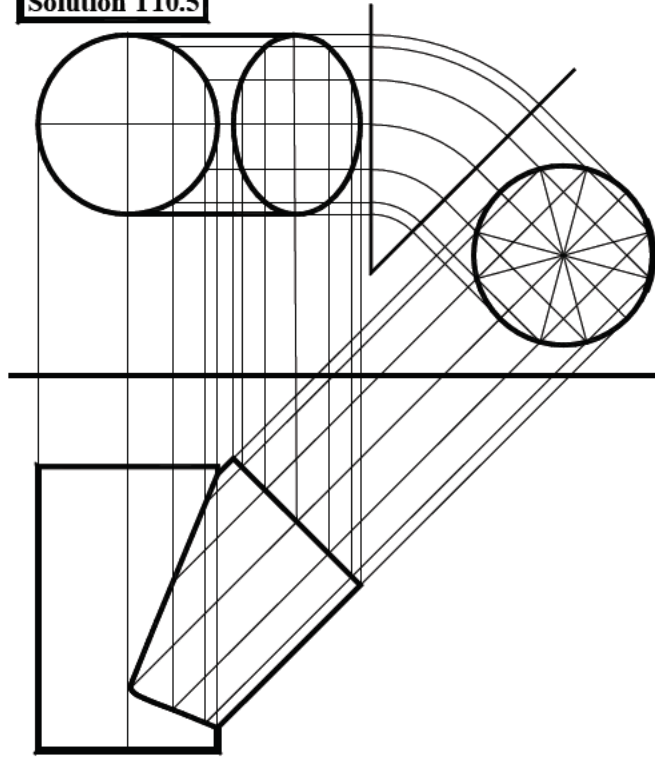
**Solution T10.3**



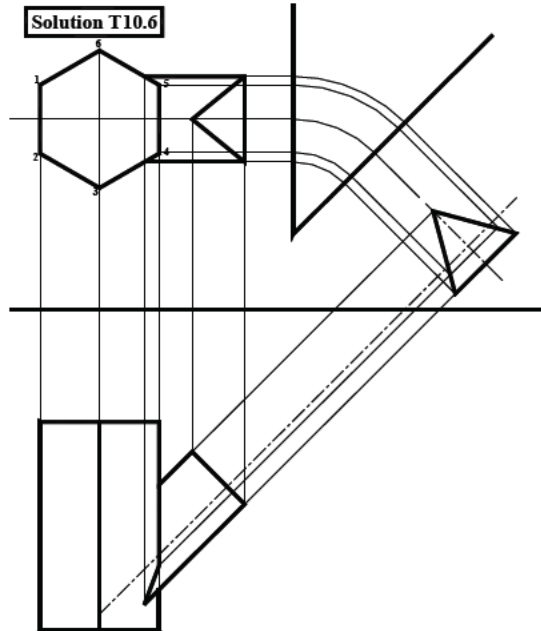
**Solution T10.4**



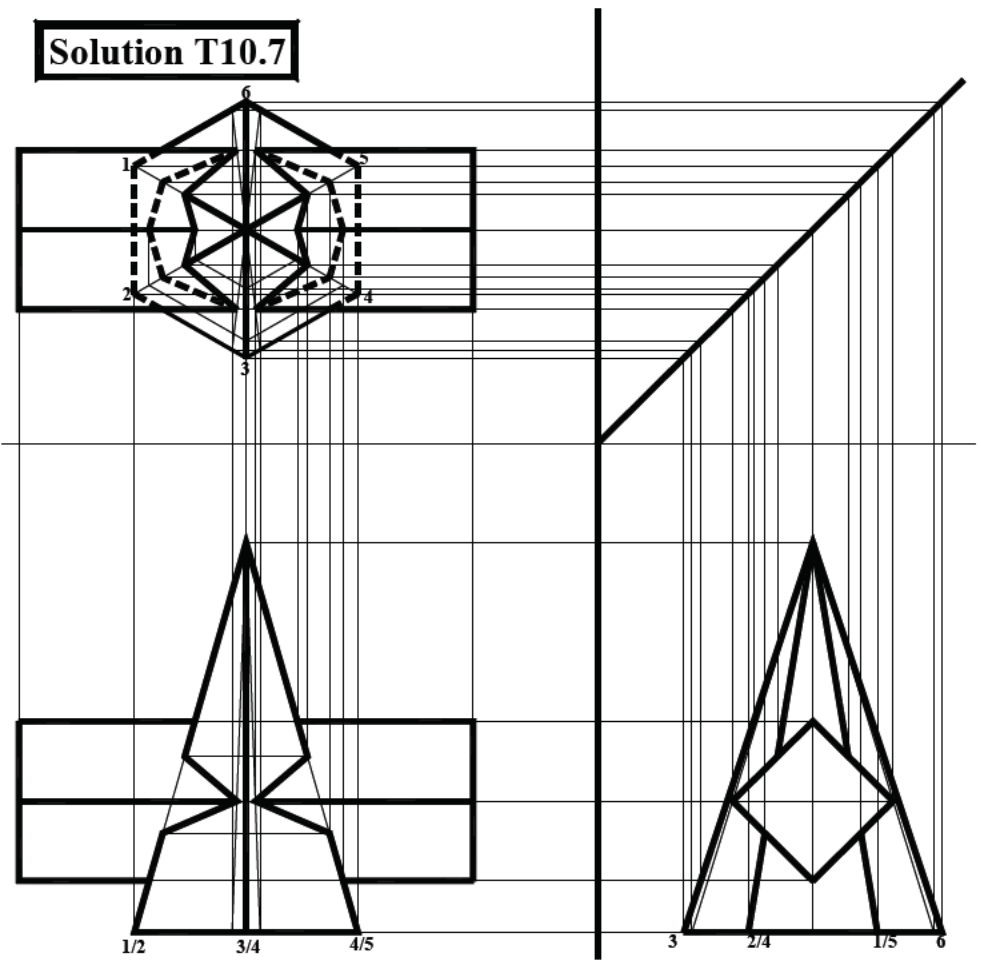
**Solution T10.5**



**Solution T10.6**



**Solution T10.7**





**Solution T10.8**

